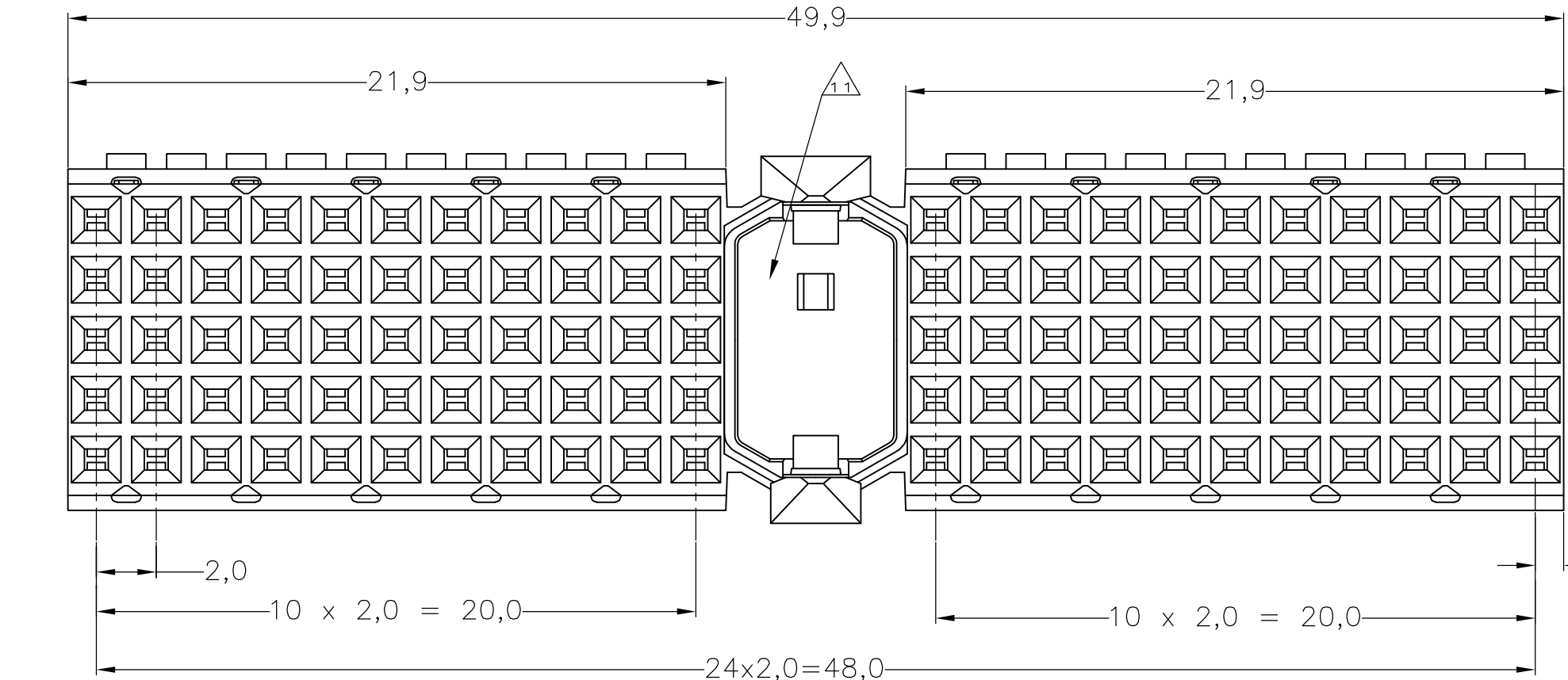
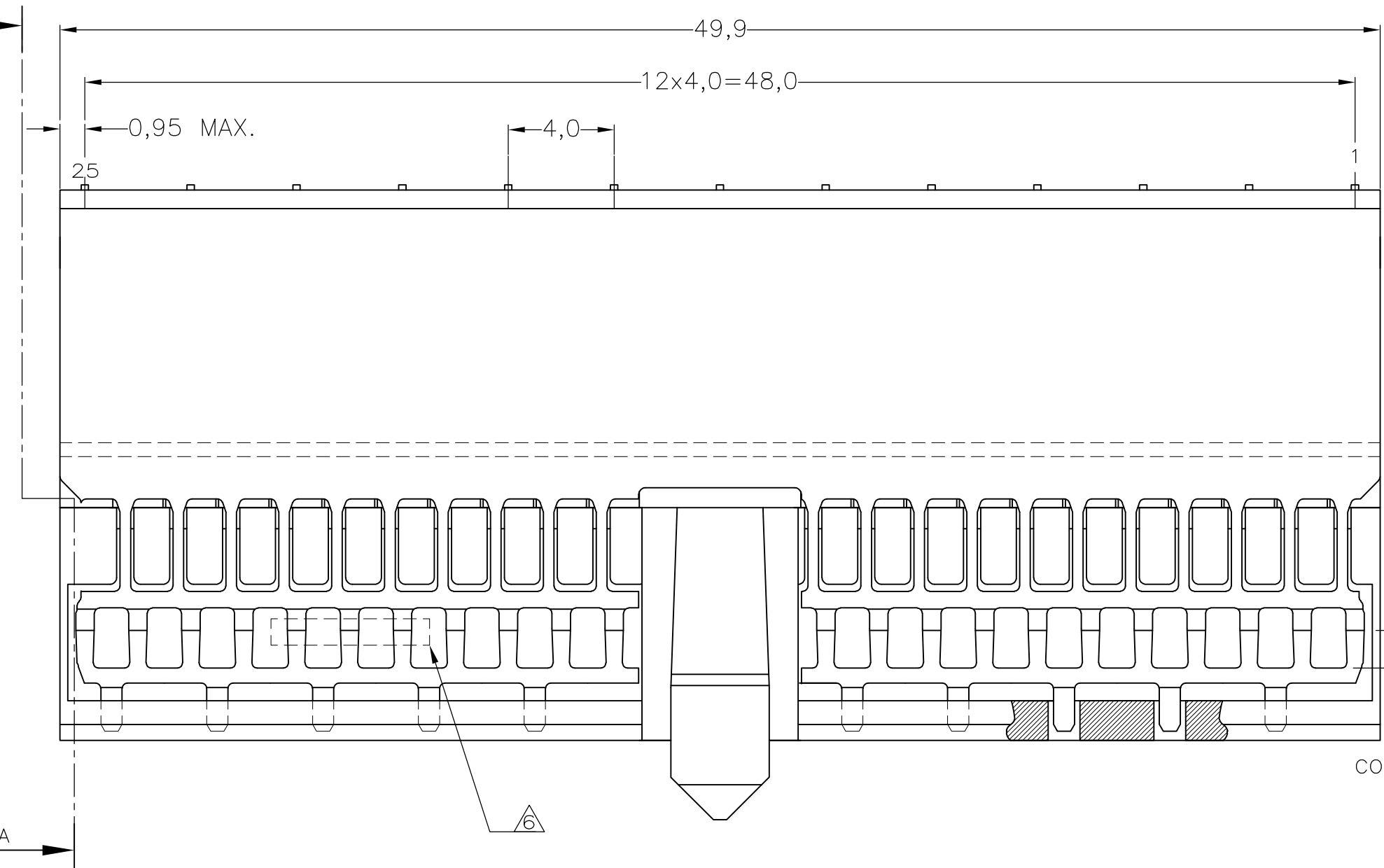
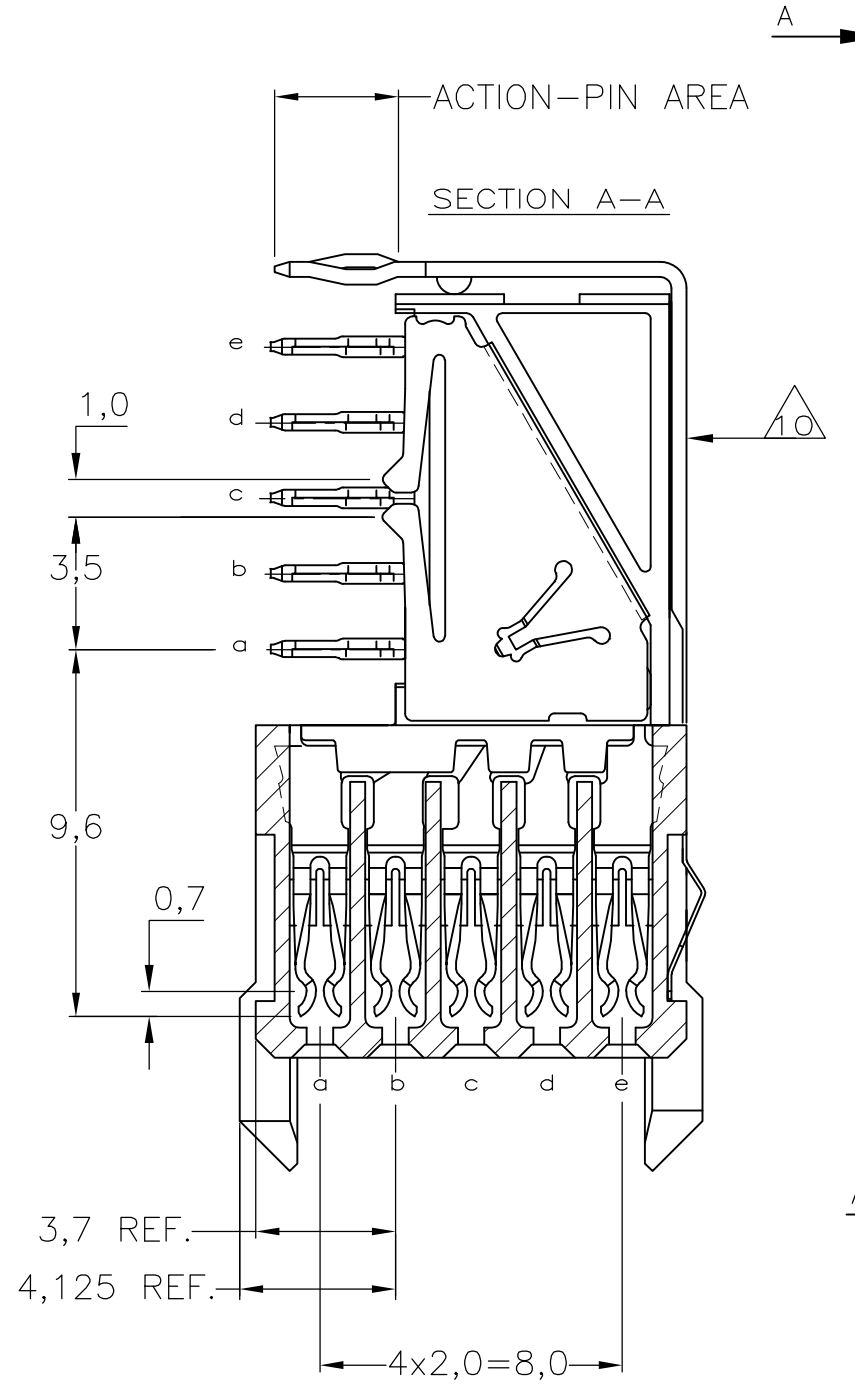
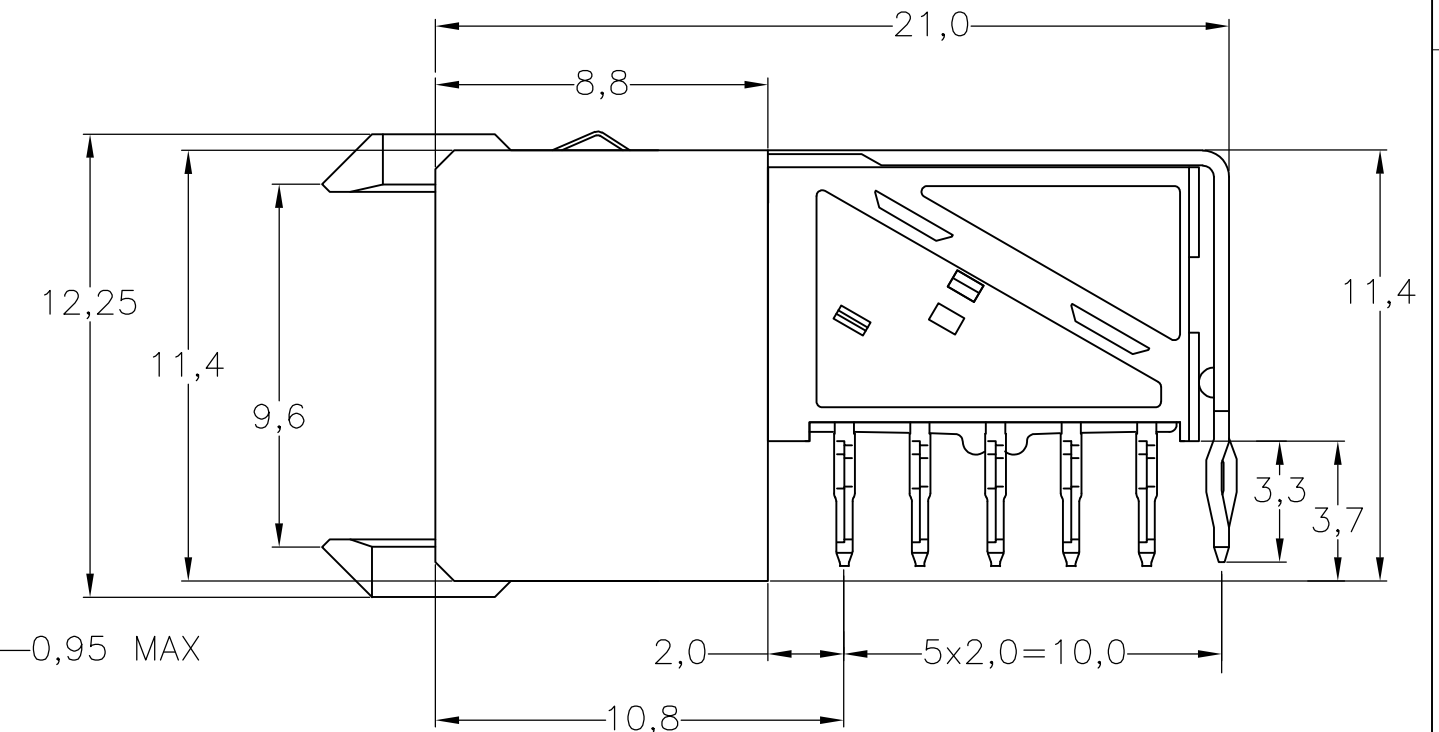


THIS DRAWING IS UNPUBLISHED. RELEASED FOR PUBLICATION  
 © COPYRIGHT BY TYCO ELECTRONICS CORPORATION. ALL RIGHTS RESERVED.

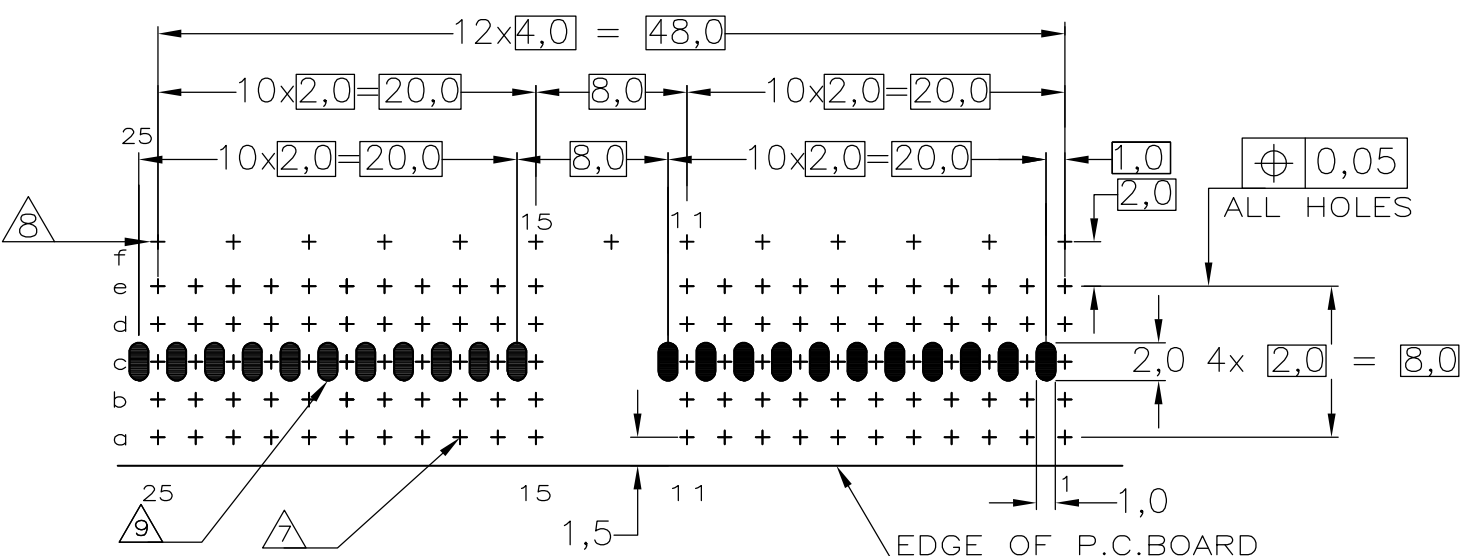
| LOC | DIST | REVISIONS |     |               |           |     |      |
|-----|------|-----------|-----|---------------|-----------|-----|------|
|     |      | P         | LTR | DESCRIPTION   | DATE      | DWN | APVD |
| H   | -    | G2        |     | ECR-07-030919 | 21DEC2007 | JvH | BM   |
|     |      | H         |     | ECR-10-018652 | 10SEP10   | SW  | MQW  |



- NOTES:
- ⚠ MATERIAL CONTACTS; PHOSPHORBRONZE  
MATERIAL SHIELDS ; PHOSPHORBRONZE  
MATERIAL HOUSING; GLASSFILLED POLYESTER (GRAY)
  - ⚠ GENERAL CONTACT PLATING SPECIFICATION: UNDERPLATING (ENTIRE CONTACT): 1,27µm NICKEL MIN. AND ACTION PIN: 0,5µm TIN-LEAD MIN. FOR PLATING OF MATING SURFACES SEE APPLICABLE SPECIFICATION REFERENCE FOR EACH DASH NUMBER.
  - ⚠ CONFORMS TO ALL TESTING ACCORDING IEC 61076-4-101 PERFORMANCE LEVEL 2.
  - ⚠ CONFORMS TO ALL TESTING ACCORDING IEC 61076-4-101 PERFORMANCE LEVEL 1.
  - ⚠ PLATING SHIELDS :  
GROUND RETURN SHIELD:  
CONTACT AREA: 0,76µm Au MIN.  
ACTION PIN : 0,5µm SnPb MIN.  
REMAINDER : Ni 5µm SnPb MIN.  
REDUCED CROSS-TALK SHIELD: GOLD FLASH OVER 1,27 µm NICKEL MIN.
  - ⚠ ASS. PRINTED WITH P/N AND DATECODE  
THE MARKING CAN APPEAR ON THE FRONT SIDE OR ON THE BACK SIDE.
  - ⚠ HOLE PATTERN FOR FEMALE CONNECTOR TYPE A,
  - ⚠ ROW "f" 13 PLATED THROUGH HOLES FOR UPERSHIELD
  - ⚠ PLATED SPOT ONLY ON COMPONENT SIDE, FORMING ONE CONTACT WITH PLATED THROUGH HOLES OF ROW C
  - ⚠ SHIELD MOUNTED ON CONNECTOR WITH DOUBLE SIDED ADHESIVE TAPE OR ADHESIVE
  - ⚠ AREA RESERVED FOR KEYING PART (BASIC P.N. 100526)
  - 12 BASIC P.N. LOWERSHIELD:338108



RECOMMENDED P.C.B. HOLE LAY-OUT SCALE 2,5:1  
 COMPONENT SIDE AS SHOWN



P.C.B. HOLE DIM. ACTION PIN  
 FOR DETAILS SEE  
 APPLICATION SPECIFICATION

|  |  |                             |   |                 |
|--|--|-----------------------------|---|-----------------|
| THIS DRAWING IS A CONTROLLED DOCUMENT. |  | DWN R.V.HEUVEN 25FEB98      | Tyco Electronics Corporation<br>s-HertogenBosch, Netherlands, |                 |
| DIMENSIONS: mm                         |  | CHK W. V.D. HEIJDEN 25FEB98 | NAME F.v. KONINGSBRUGGE.                                      |                 |
| TOLERANCES UNLESS OTHERWISE SPECIFIED: |  | APVD 23NOV99                | PRODUCT SPEC 108-19082  |                 |
| 6-PLC ±                                |  | APPLICATION SPEC 114-19029  | WEIGHT -  |                 |
| 1-PLC ±                                |  | SCALE NTS                   | SHEET 1 OF 1  |                 |
| 2-PLC ± ±0.2                           |  | CUSTOMER DRAWING            |   | RESTRICTED TO - |
| 3-PLC ±                                |  | MATERIAL -                  |   | REV H           |
| 4-PLC ±                                |  | FINISH -                    |   |                 |
| ANGLES ±                               |  | SIZE A2                     |   | CAGE CODE 00779 |
| FINISH -                               |  | DRAWING NO. 352344          |   |                 |