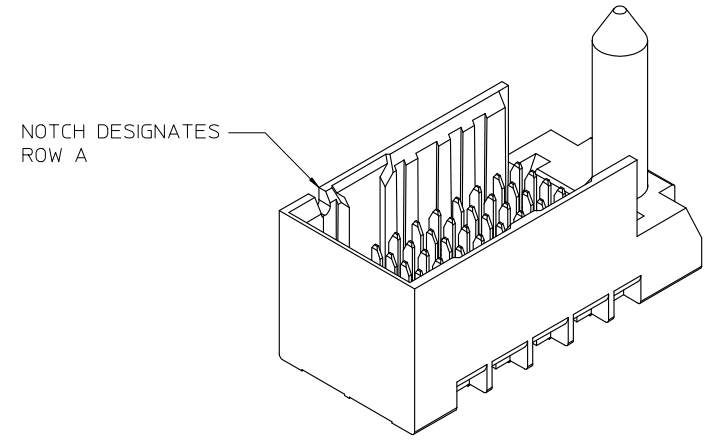


SEE PART NUMBER CHART AND PART NUMBER LOGIC (6 HOLES PER COLUMN)  
 RIGHT GUIDED BACKPLANE HOLE PATTERN (CONNECTOR SIDE)  
 SEE NOTE 11

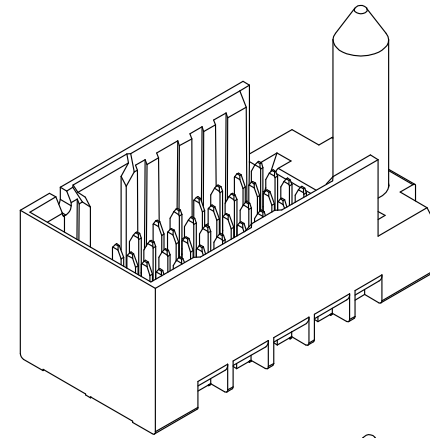


- NOTES:
1. MATERIALS: HOUSING - LIQUID CRYSTAL POLYMER (LCP)  
GLASS-FILLED, UL94V-0  
TERMINALS - HIGH PERFORMANCE COPPER ALLOY
  2. FINISH: 30 μNCH MIN GOLD IN CONTACT AREA.  
SELECTIVE MATTE TIN ON PCB TAILS, NICKEL OVERALL.
  3. REFER TO MOLEX PRODUCT SPECIFICATION PS-76060-999.  
FOR PERFORMANCE SPECIFICATIONS AND ADDITIONAL PCB INFORMATION.
  4. THIS PART CONFORMS TO CLASS B REQUIREMENTS OF  
MOLEX COSMETIC SPEC PS-45499-002.
  5. PARTS PACKAGED PER PK-70873-761
  6. SEE SHEETS 2 & 3 FOR PART NUMBERS AND BOARD RELATIONSHIPS.
  7. MATES WITH IMPACT DC SERIES NO. 171070.
  8. KEEP OUT ZONE FOR BP HOUSING LENGTH INCLUDES AN ADDITIONAL 1.0MM  
TO ACCOMMODATE FOR SPACE REQUIRED BY DC FRONT HOUSING.
  9. REFER TO MOLEX PCB ROUTING GUIDE AS-76060-990 FOR ANTIPAD AND  
ROUTING RECOMMENDATIONS.
  10. CONNECTORS SUPPLIED WITH A 2-56 UNC-2A SCREW.
  11. \*THESE DIMENSIONS REPRESENT THE AREA NEEDED TO ACCOMMODATE CONNECTOR  
INSERTION AND REPAIR ON THE PC BOARD. THIS IS REFERRED TO AS THE  
"CONNECTOR KEEP OUT ZONE" AND DOES NOT REPRESENT THE ACTUAL PERIMETER  
OF THE CONNECTOR. WHEN LAYING OUT A PC BOARD FOR CONNECTORS STACKED  
TOGETHER, USE A 1.9mm PROGRESSION."
  12. MINIMUM CIRCUIT BOARD THICKNESS: 1.00

REVISED EC NO: UCP2013-1045 DRWN: BINGHAM 2012/09/12 CHKD: JLAURX 2012/09/12 APPR: JLAURX 2013/02/07	QUALITY SYMBOLS ▽=0 ▽=0 ▽=0	GENERAL TOLERANCES (UNLESS SPECIFIED)		DIMENSION STYLE MM ONLY		SCALE 4:1	DESIGN UNITS METRIC	THIRD ANGLE PROJECTION	
				4 PLACES ± --- ± ---	DRAWN BY JB INGHAM	DATE 2012/02/08	TITLE IMPACT 2-PAIR 85-OHM RIGHT GUIDED BACKPLANE SALES ASSEMBLY DRAWING <b>molex</b>		
			3 PLACES ± --- ± ---	CHECKED BY JLAURX	DATE 2012/02/08				
			2 PLACES ± 0.13 ± ---	APPROVED BY JLAURX	DATE 2013/02/07				
			1 PLACE ± 0.25 ± ---						
			0 PLACE ± --- ± ---	MATERIAL NO. SEE CHART		DOCUMENT NO. SD-171065-0003	SHEET NO. 1 OF 3		
DRAFT WHERE APPLICABLE MUST REMAIN WITHIN DIMENSIONS				SIZE C		THIS DRAWING CONTAINS INFORMATION THAT IS PROPRIETARY TO MOLEX INCORPORATED AND SHOULD NOT BE USED WITHOUT WRITTEN PERMISSION			

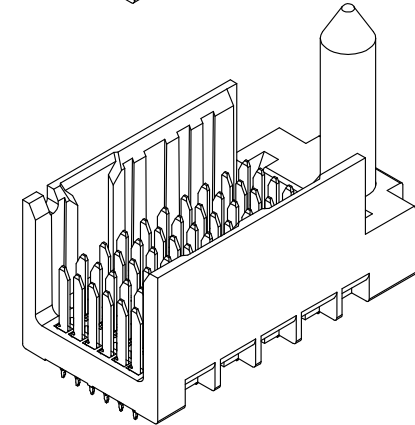
# PART NUMBER CHART

MATERIAL NUMBER	# OF COLUMNS	# OF DIFF PAIR	DIM "A"	DIM "B"	GUIDE RIGHT END WALL OPTION
171065-910*	10	20	26.9	17.10	
171065-960*	16	32	38.3	28.50	



GUIDE RIGHT  
END WALL  
OPTION

MATERIAL NUMBER	# OF COLUMNS	# OF DIFF PAIR	DIM "A"	DIM "B"	GUIDE RIGHT OPEN WALL OPTION
171065-510*	10	20	25.5	17.10	
171065-560*	16	32	36.9	28.50	



GUIDE RIGHT  
OPEN END  
OPTION

# PART NUMBER LOGIC

171065-\*\*\*0\*

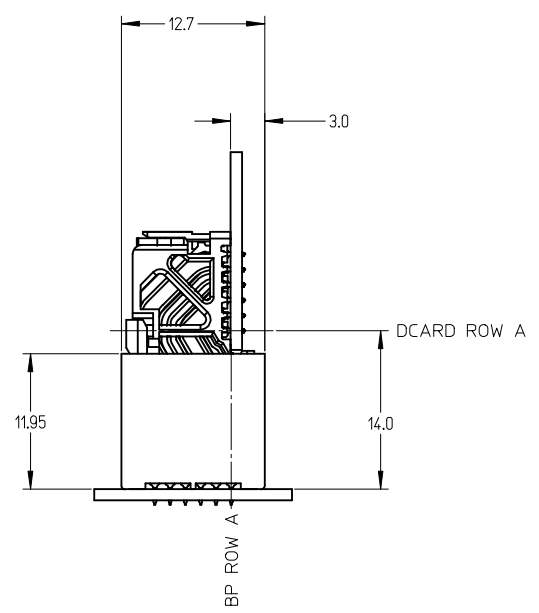
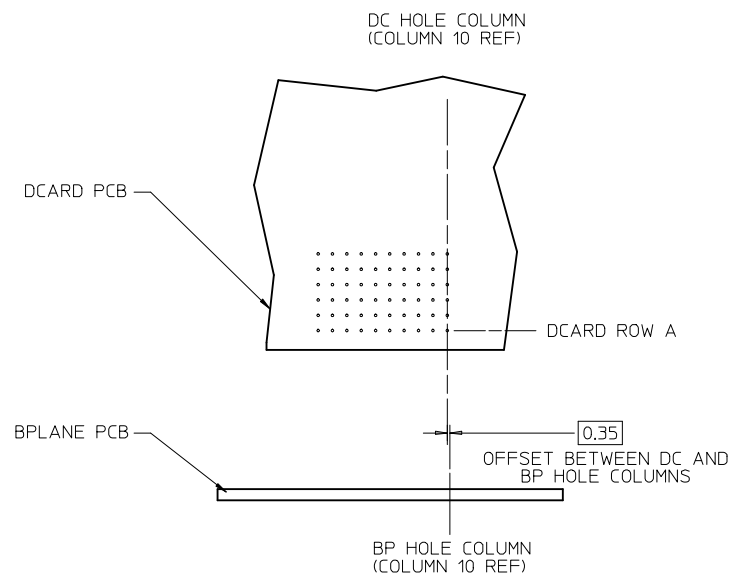
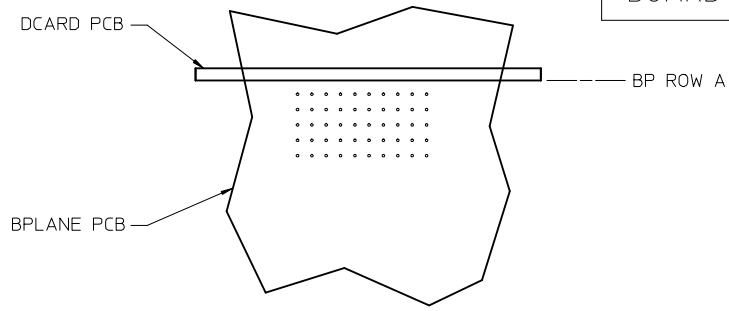
MODULE TYPE  
 5 = GUIDE RIGHT, MATTE TIN  
 9 = GUIDE RIGHT END WALL, MATTE TIN

PIN LENGTH (P)  
 3 = 4.50 (SHORT COMPLIANT, 0.46±0.05 PTH)  
 4 = 4.90 (SHORT COMPLIANT, 0.46±0.05 PTH)  
 5 = 5.50 (SHORT COMPLIANT, 0.46±0.05 PTH)  
 6 = 4.50 (MICRO COMPLIANT, 0.39±0.05 PTH)  
 7 = 4.90 (MICRO COMPLIANT, 0.39±0.05 PTH)  
 8 = 5.50 (MICRO COMPLIANT, 0.39±0.05 PTH)

# OF COLUMNS  
 1 = 10 COL  
 6 = 16 COL

SEE SHEET 1 EC NO: UCP2013-1045 DRWN: JBINGHAM 2012/09/12 CHKD: JLAURX 2012/09/12 APPR: JLAURX 2013/02/07	QUALITY SYMBOLS	GENERAL TOLERANCES (UNLESS SPECIFIED)		DIMENSION STYLE <b>MM ONLY</b>	SCALE <b>4:1</b>	DESIGN UNITS <b>METRIC</b>	THIRD ANGLE PROJECTION
	▽=0	mm	INCH	DRAWN BY JBINGHAM	DATE 2012/02/08	TITLE <b>IMPACT 2-PAIR 85-OHM                  RIGHT GUIDED BACKPLANE                  SALES ASSEMBLY DRAWING</b>  <b>molex</b>  DOCUMENT NO. <b>SD-171065-0003</b>  SHEET NO. <b>2 OF 3</b>	
	▽=0	4 PLACES ± ---	± ---	CHECKED BY JLAURX	DATE 2012/02/08		
	▽=0	3 PLACES ± ---	± ---	APPROVED BY JLAURX	DATE 2013/02/07		
		2 PLACES ± 0.13	± ---	MATERIAL NO. <b>SEE CHART</b>			
	1 PLACE ± 0.25	± ---	DRAFT WHERE APPLICABLE MUST REMAIN WITHIN DIMENSIONS				
		0 PLACE ± ---	± ---	ANGULAR ±1/2°			

### IMPACT 2 PAIR BOARD RELATIONSHIPS



<b>SEE SHEET 1</b> EC NO: UCP2013-1045 DRWN: JBINGHAM 2012/09/12 CHKD: JLAURX 2012/09/12 APPR: JLAURX 2013/02/07	QUALITY SYMBOLS	GENERAL TOLERANCES (UNLESS SPECIFIED)	DIMENSION STYLE	SCALE	DESIGN UNITS	THIRD ANGLE PROJECTION
	▽=0	mm INCH	MM ONLY	2:1	METRIC	
	▽=0	4 PLACES ± --- ± ---	DRAWN BY DATE	TITLE		
	▽=0	3 PLACES ± --- ± ---	JBINGHAM 2012/02/08	IMPACT 2-PAIR 85-OHM RIGHT GUIDED BACKPLANE SALES ASSEMBLY DRAWING		
	▽=0	2 PLACES ± 0.13 ± ---	CHECKED BY DATE			
	1 PLACE ± 0.25 ± ---	JLAURX 2012/02/08				
	0 PLACE ± --- ± ---	APPROVED BY DATE	MATERIAL NO.	DOCUMENT NO.	SHEET NO.	
		JLAURX 2013/02/07	SEE CHART	SD-171065-0003	3 OF 3	
		ANGULAR ±1/2°	THIS DRAWING CONTAINS INFORMATION THAT IS PROPRIETARY TO MOLEX INCORPORATED AND SHOULD NOT BE USED WITHOUT WRITTEN PERMISSION			
		DRAFT WHERE APPLICABLE MUST REMAIN WITHIN DIMENSIONS				