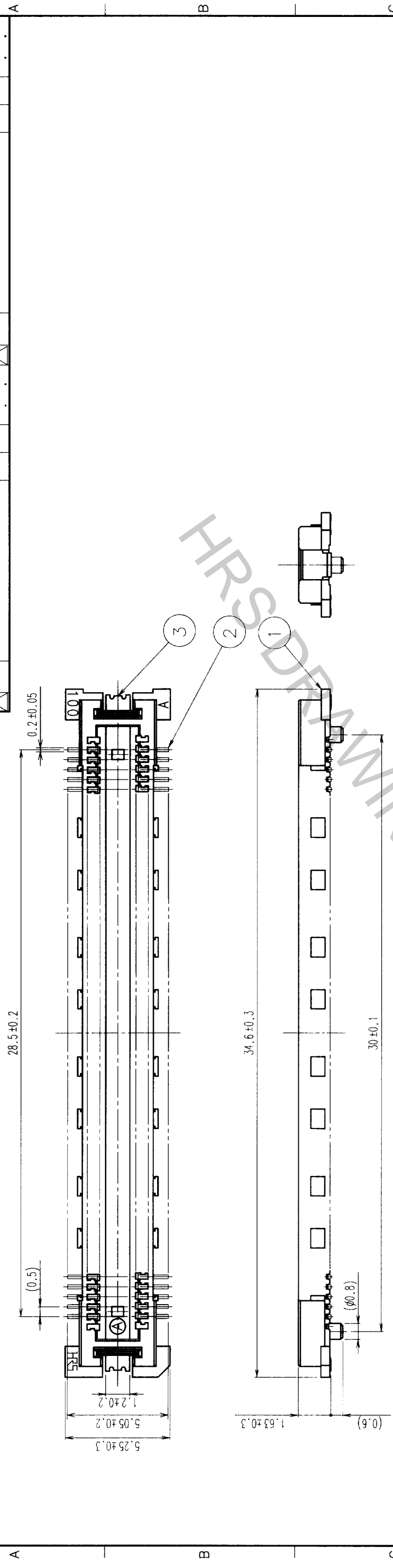
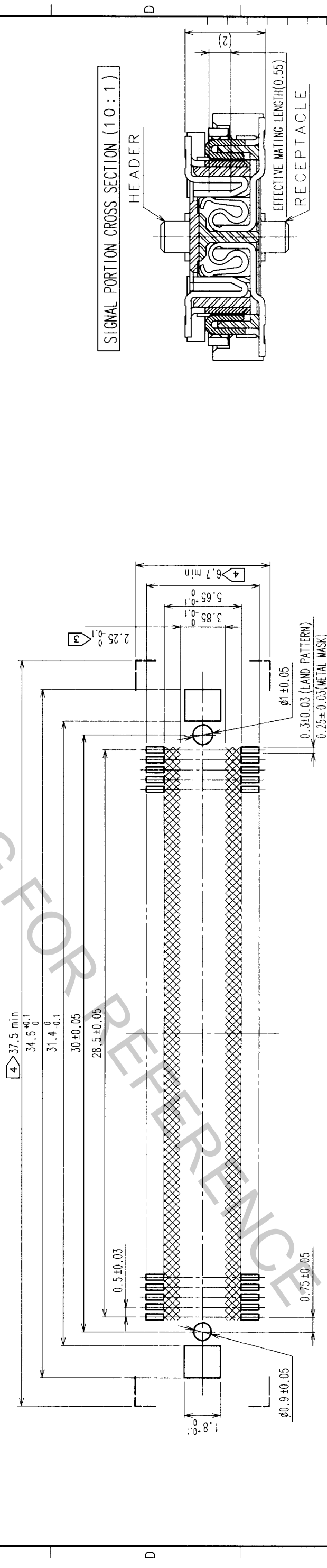


COUNT	DESCRIPTION OF REVISIONS	BY	CHKD	DATE	COUNT	DESCRIPTION OF REVISIONS	BY	CHKD	DATE
△					△				
△					△				
△					△				



RECOMMENDED LAND PATTERN DIMENSION OF PCB



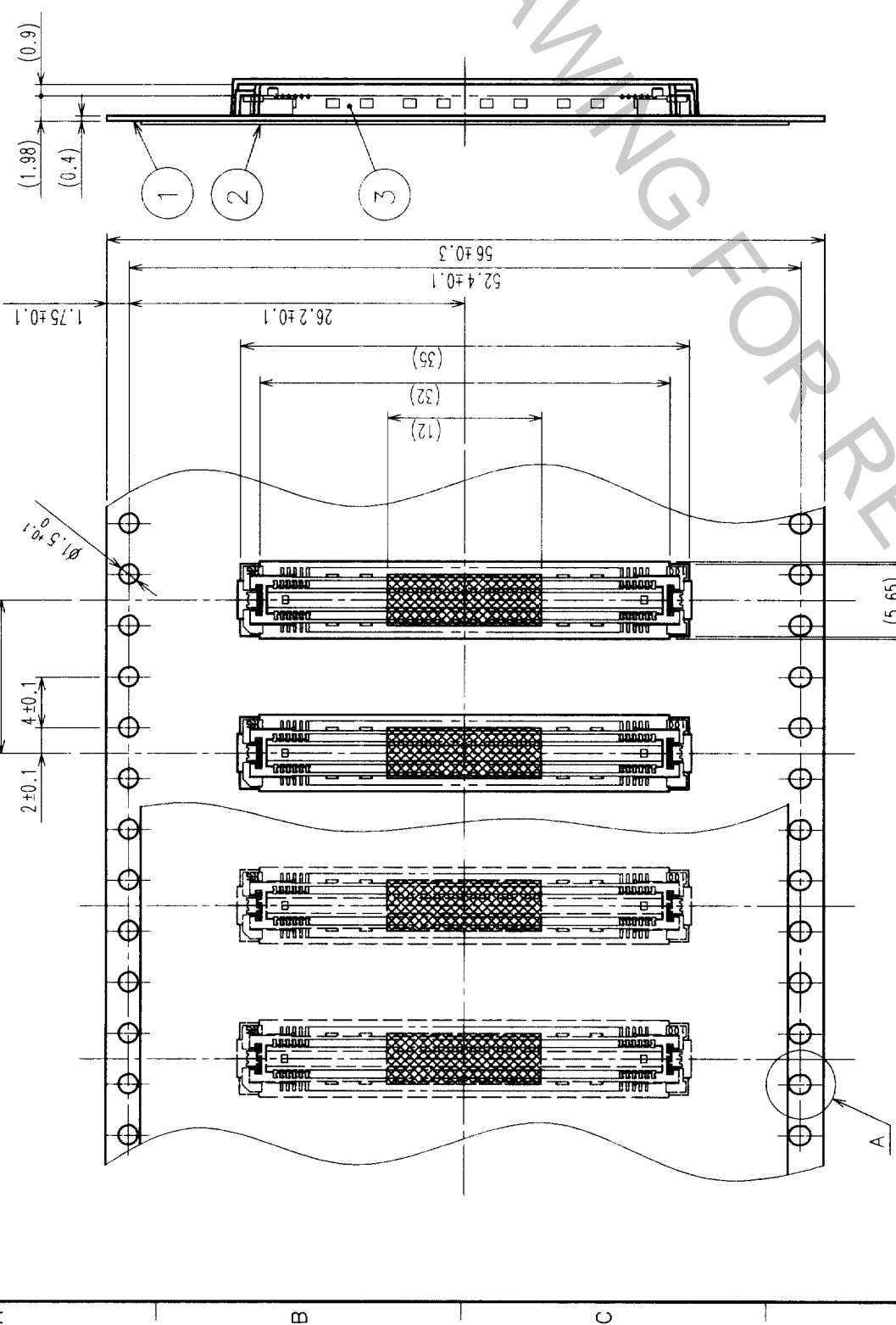
NO.	COPPER ALLOY	CONTACT AREA: GOLD (0.1µm) OVER NICKEL	BEIGE	UL 94V-0	FINISH, REMARKS	DRAWN	DESIGNED	CHECKED	APPROVED	RELEASED
2	COPPER ALLOY	CONTACT AREA: GOLD (0.1µm) OVER NICKEL	BEIGE	UL 94V-0	FINISH, REMARKS	DRAWN	DESIGNED	CHECKED	APPROVED	RELEASED
1	LCP	LEAD: GOLD FLASH OVER NICKEL								
NO.	MATERIAL	FINISH, REMARKS	NO.	PHOSPHOR BRONZE	TIN PLATED	FINISH, REMARKS				
CL										
DRAWING NO. EDC3-152102-02						PART NO. FX11LA-116P-SV (22)				
SCALE 5:1						CODE NO. CL573-0044-7-22				
UNITS mm						HIROSE ELECTRIC CO., LTD.				

- NOTES
- 1 SMT LEAD-COPLANARITY: 0.1 MAX.
 - 2 THIS PRODUCT HAS NO POLARITY TO PATTERN FOR MOUNTING.
 - 3 MAKE SURE WIDTH OF PATTERN IS WITHIN THAT OF LAND, OR LEAD MAY TOUCH PATTERN. (THIS APPLIES TO HATCHED AREA.)
 - 4 DO NOT MOUNT OTHER DEVICES ONTO [] AREA, OR MATING PAIR CANNOT BE MATED.
 - 5 TO BE EMBOSSED CARRIER TAPED AS SPECIFIED IN SHEET 2.

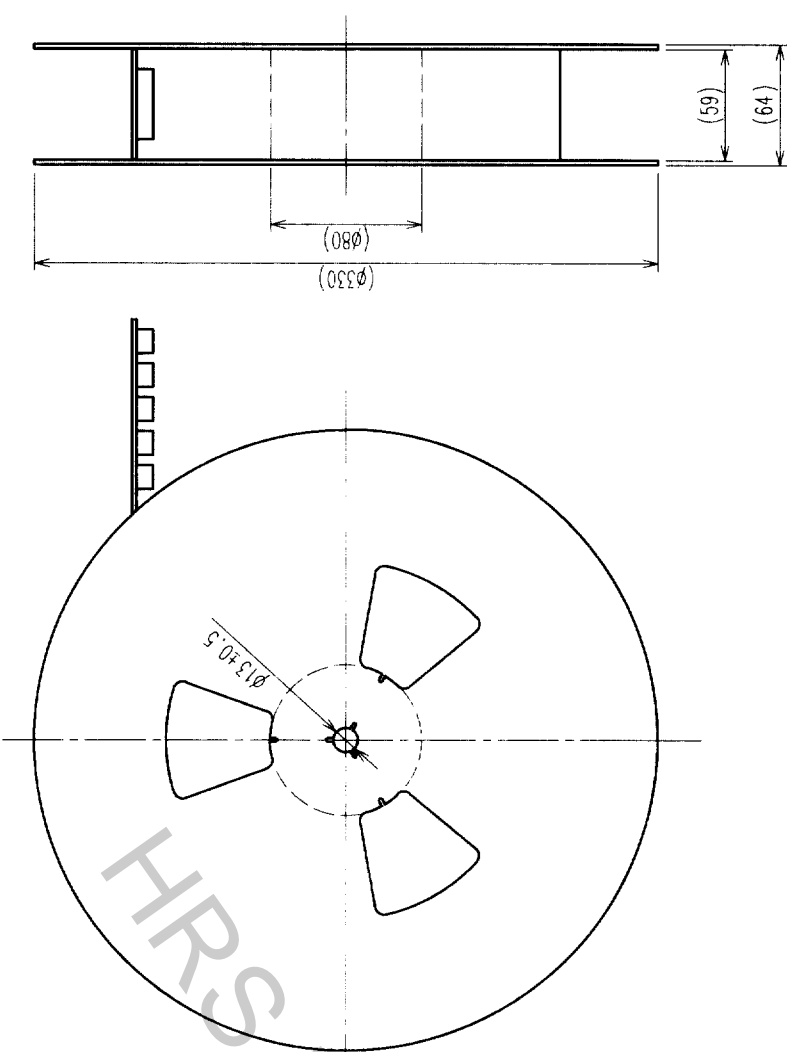
TO
PCK

COUNT	DESCRIPTION OF REVISIONS	BY	CHKD	DATE	COUNT	DESCRIPTION OF REVISIONS	BY	CHKD	DATE
△									
△									
△									

A B C D E F

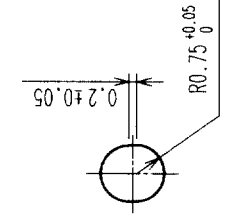


REELED DIMENSION (Free)

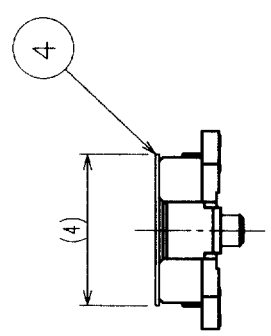


THE DIRECTION OF PULLING OUT →

A (5:1)



DETAIL FOR VACUUM PICKUP (5:1)



- NOTES 1 REEL:1000 CONNECTORS.
- 2 MINIMUM 10 COMPARTMENTS FROM BOTH REEL ENDS REMAIN EMPTY.
- 3 THIS PRODUCT HAS NO POLARITY TO TAPE AND REEL PACKAGING.

2	PET	TOP COVER TAPE	4	POLYIMIDE	(TAPE FOR VACUUM PICKUP)
1	PS	EMBOSSED CARRIER TAPE	3	(CONNECTOR)	
NO.	MATERIAL	FINISH, REMARKS	NO.	MATERIAL	FINISH, REMARKS
CODE NO. (OLD) CL					
DRAWING FOR PACKING					
DRAWN		DESIGNED		CHECKED	APPROVED
CL		Mitsuharu		M. Shida	T. Yoshimura
99.10.27		99.10.27		99.10.28	99.10.28
SCALE 2 : 1		DRAWING NO. EDC3-152102-02		PART NO. FX11LA-116P-SV(22)	
UNITS mm		HIROSE ELECTRIC CO., LTD		CODE NO. CL573-0044-7-22	

TO	
PCK	