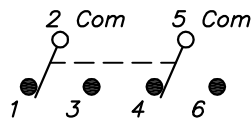


RECOMMENDED P.C.B. LAYOUT

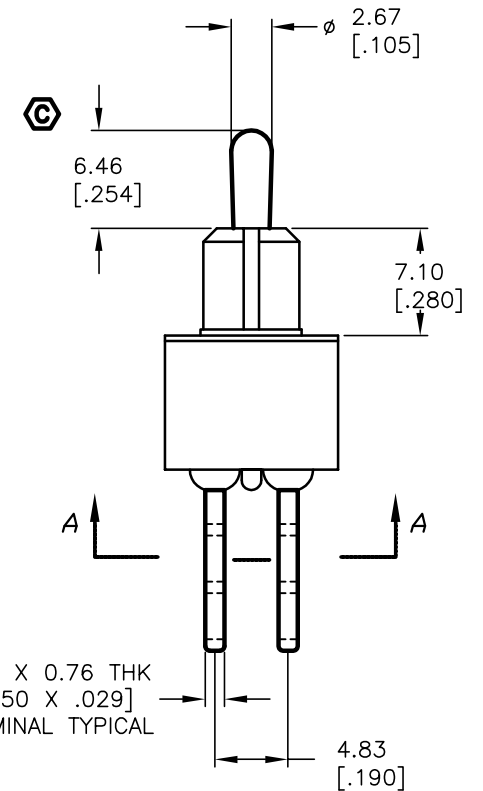
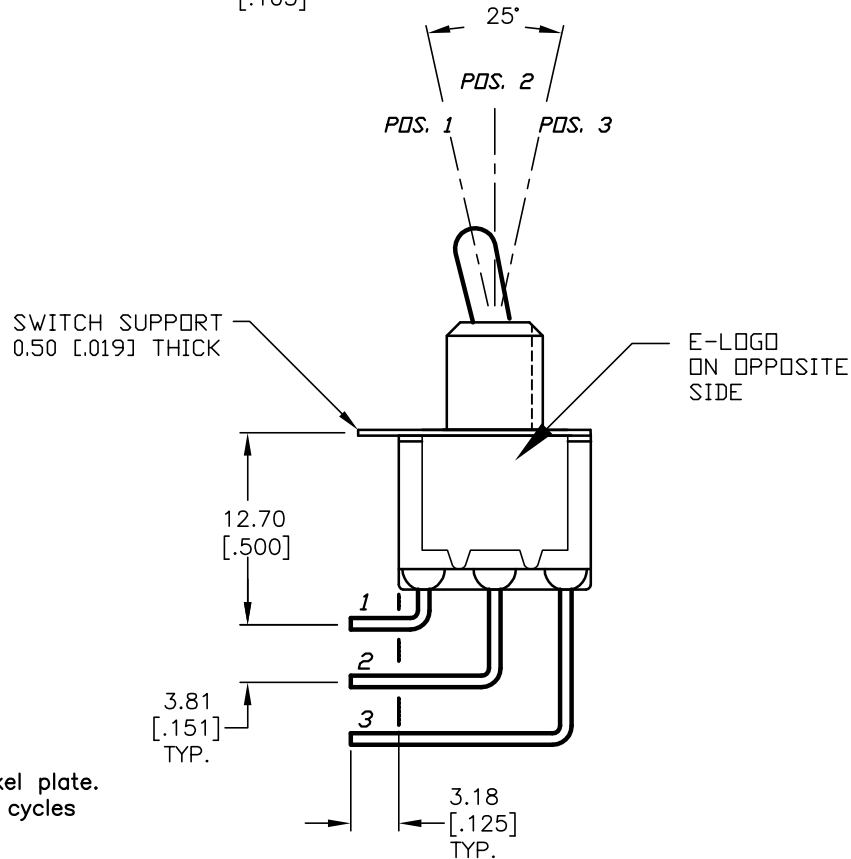
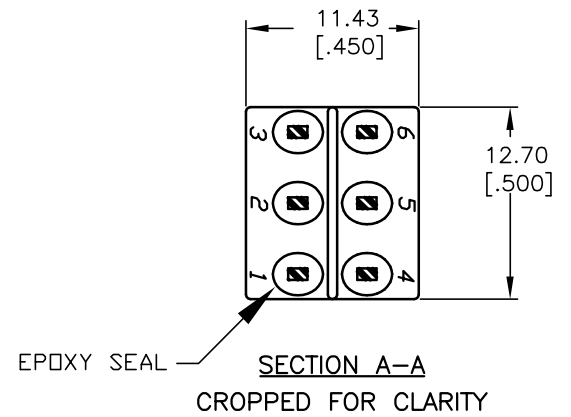
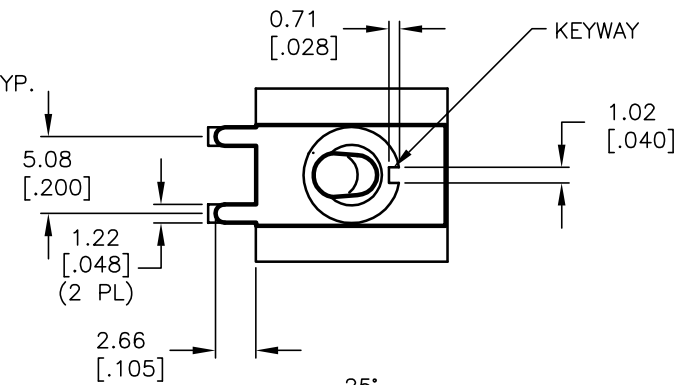


CIRCUIT: DPDT CONTACT CONFIGURATION

SWITCH FUNCTION		
PDS. 1	PDS. 2	PDS. 3
ON	NONE	ON
2-3,5-6	OPEN	2-1,5-4

NOTES:

- ALL DIMENSIONS IN MM [INCH]
- GENERAL TOLERANCE: X.X=±0.4
X.XX=±0.25
- TERM. NOS. FOR REF. ONLY
- RATING: 0.4VA @20V AC/DC max.
- ▲ FIXED TERM. & MOVING CONTACT:
Copper Alloy W/GOLD plate over Nickel plate.
- ELECTRICAL LIFE: 50,000 make-and-break cycles at full load.
- INSULATION RESISTANCE: 1,000M ohm min.
- DIELECTRIC STRENGTH: 1,000V RMS @sea level.
- OPERATING TEMP.: -30°C to +85°C.



E-SWITCH®

C	14057	CORRECTED ACTUATOR HEIGHT	6/1/04	AR
B	12005	REVISED AND REDRAWN	3/20/02	CJB
REV.	ECN No.	DESCRIPTION	DATE	CHKD

THE INFORMATION CONTAINED IN THIS DOCUMENT IS PROPRIETARY TO E-SWITCH AND IS NOT TO BE COPIED OR TRANSFERRED

TITLE 100 DP-1 T2 B4 M7 R E (GOLD CONTACTS)

SCALE 2:1	DATE 3/20/02	DR CJB	DWG T121053	REV C
-----------	--------------	--------	-------------	-------