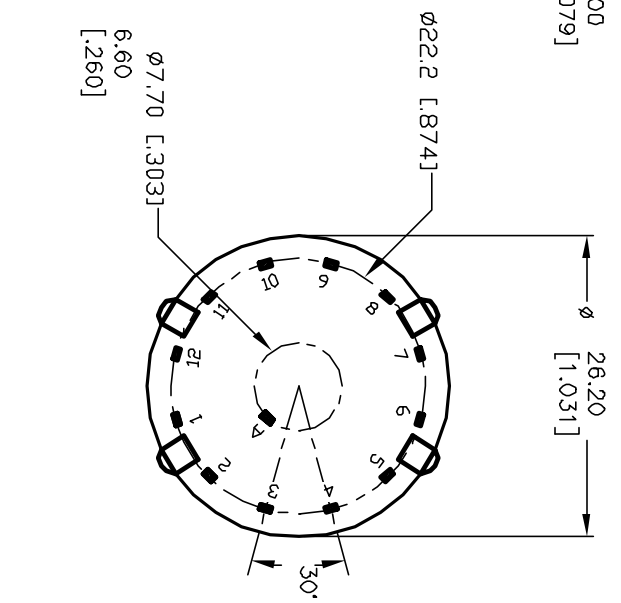
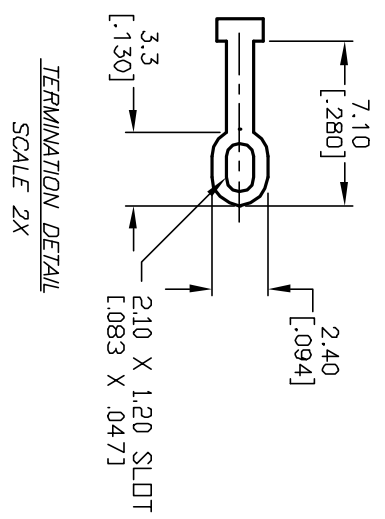
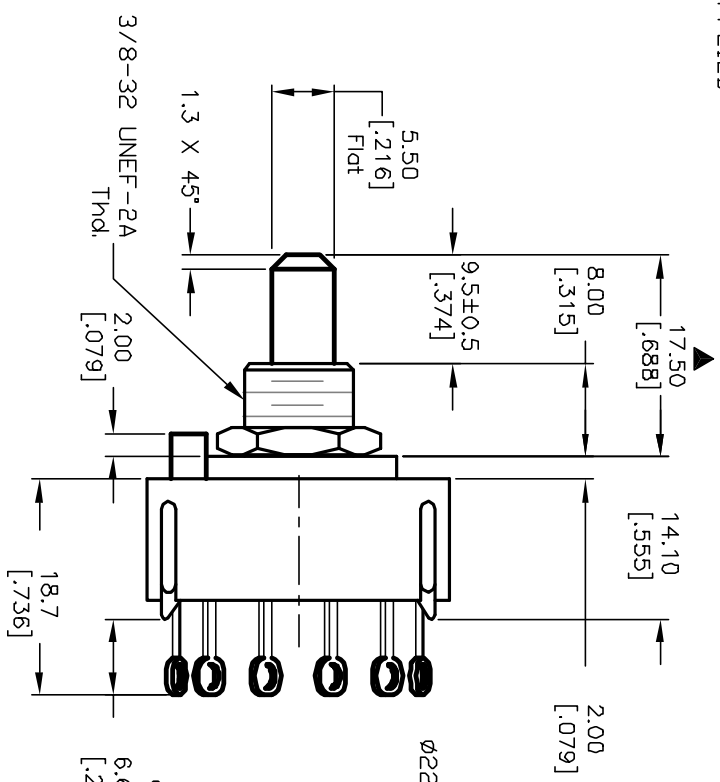
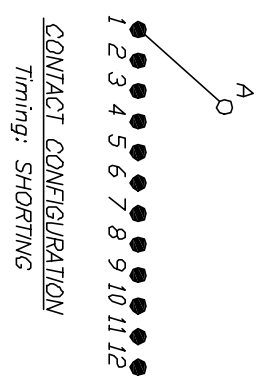
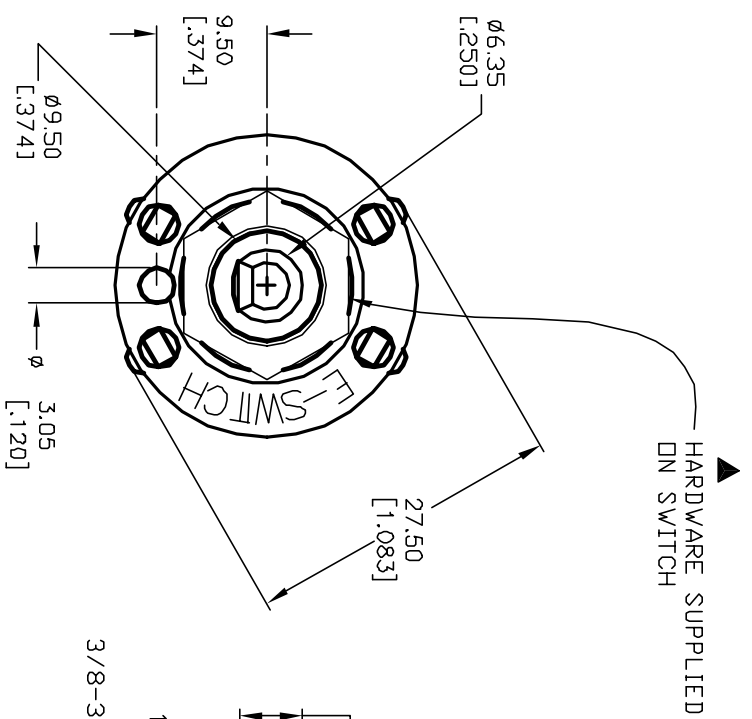


- NOTES:
1. ALL DIMENSION IN MM [INCH]
 2. GENERAL TOLERANCE: X.X=±0.4
X.XX=±0.25
 3. TERM. NOS. FOR REF. ONLY
 4. CONTACT RATING SWITCHING: 150mA, 250V AC/DC
350mA, 110V AC/DC
 5. OPERATING FORCE: 425±100 CM/STANDARD
 6. OPERATING TEMP: -30° to 85°C
 7. CIRCUIT SP: 12 POSITIONS, 30° INDEX, NO STOPS
 8. DIELECTRIC STRENGTH: 1000V RMS min.@Sea Level
 9. ▲ DESIGNATE MAJOR FEATURE
 10. HARDWARE SUPPLIED ON SWITCH— SEE BELOW
LOCKWASHER, & HEX NUT



E-SWITCH®

| | | | | | | | | | | | |
|---|---------|-------------------------|---------|---------|--|-----|--|---------|--|-----|--|
| TITLE | | SCALE | | DATE | | DR | | DWG | | REV | |
| KC-10-A-(9.5mm) 01-S-L-S | | 1.5:1 | | 2/18/03 | | CJB | | G527524 | | A | |
| REV. | ECN No. | DESCRIPTION | DATE | CHKD | | | | | | | |
| A | 12822 | RELEASED FOR PRODUCTION | 2/18/03 | CJB | | | | | | | |
| <p>THE INFORMATION CONTAINED IN THIS DOCUMENT IS PROPRIETARY TO E-SWITCH AND IS NOT TO BE COPIED OR TRANSFERRED</p> | | | | | | | | | | | |