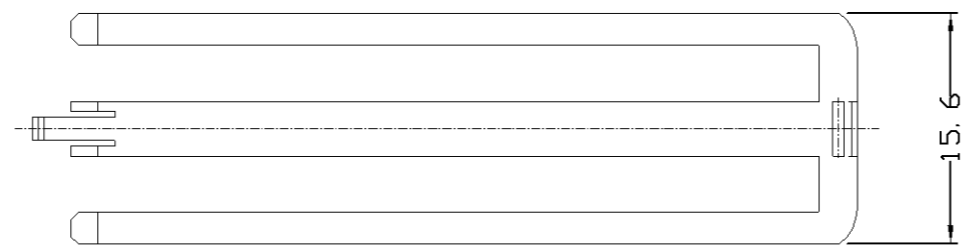
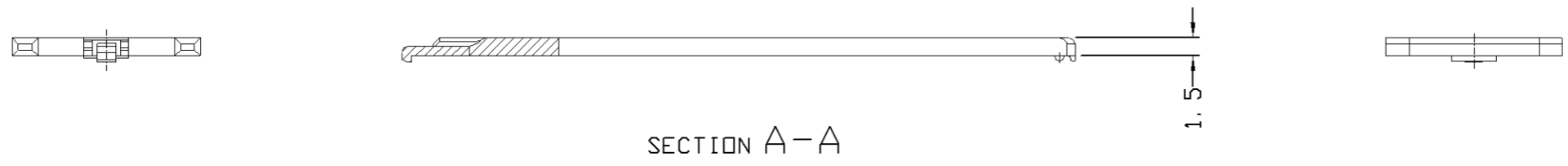
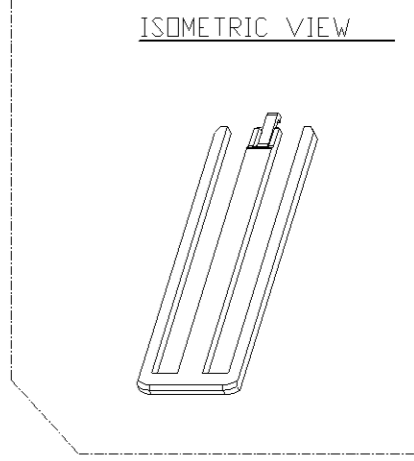
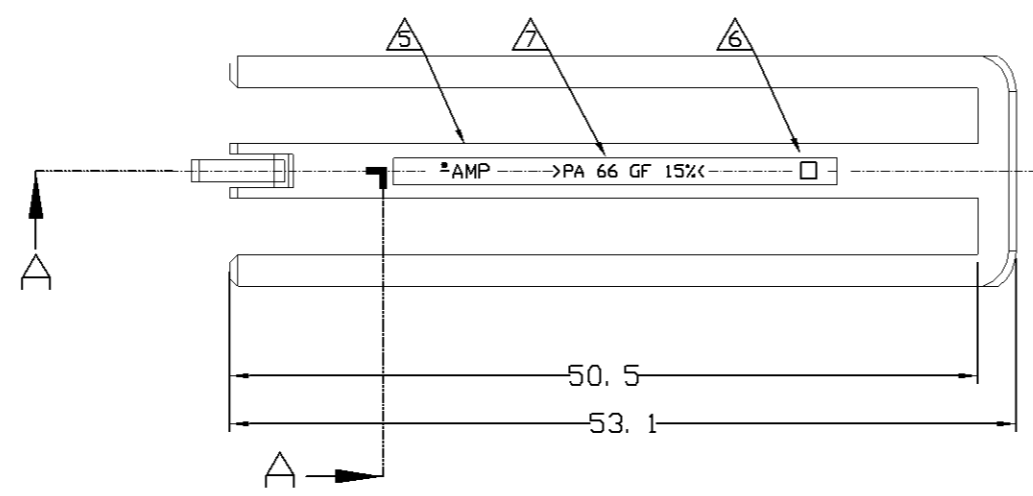


THIS DRAWING IS UNPUBLISHED. RELEASED FOR PUBLICATION 1997 .
 © COPYRIGHT 1997 BY AMP INCORPORATED. ALL RIGHTS RESERVED.

LOC	DIST	REVISIONS			
P	LTR	DESCRIPTION	DATE	DWN	APVD
	□	RELEASED ECN<FC00-0016-99>	05/FEB/'99	JW	CS
	A	REVISED ECN<FC00-0067-02>	30/APR/'02	JW	CS
	B	REVISED ECN<FC00-0150-02>	21/DEC/'02	JW	CS
	C	REVISED <ECR-07-015887>	13/DEC/'07	DR	JK



NOTE.
 1. APPLICABLE ASS'Y CONNECTOR FOR
 (A) JPT&MQS 81Pos.; P/N:368290-1
 (A) TE TREAD MARK
 (A) CAVITY MARK
 (A) RECYCLE MARKING

©	YELLOW	PA66-GF15	RETAINER HSG<CHINA ONLY>	3 6 8 2 9 7- 1
	YELLOW	PA66-GF15	RETAINER HSG	3 6 8 2 9 7- 1
	COLOR	MATERIAL	DESCRIPTION	PART NO

THIS DRAWING IS CONTROLLED DOCUMENT FOR AMP INCORPORATED. IT IS SUBJECT TO CHANGE AND THE CONTROLLING ENGINEERING ORGANIZATION SHOULD BE CONTACTED FOR THE LATEST REVISION.		DWNDR GOD		AMP KOREA. kyungsan, korea	
DIMENSIONS: MM		CHK YM CHOI			
TOLERANCES UNLESS OTHERWISE SPECIFIED: 0 <XX<10 ± 0.2 10<XX<30 ± 0.25 30<XX ± 0.3 ANGLES ± 3°		APVD JK SONG		NAME	
3rd ANGLE PROJECTION		PRODUCT SPEC ---		RETAINER HOUSING FOR MQS 76Pos.	
MATERIAL SEE TABLE		FINISH SEE TABLE		DRAWING NO	
		WEIGHT ---		SIZE A3	
				CAGE CODE 00779	
				© 3 6 8 2 9 7	
				SCALE 1/1 SHEET 1 OF 1 REV C	