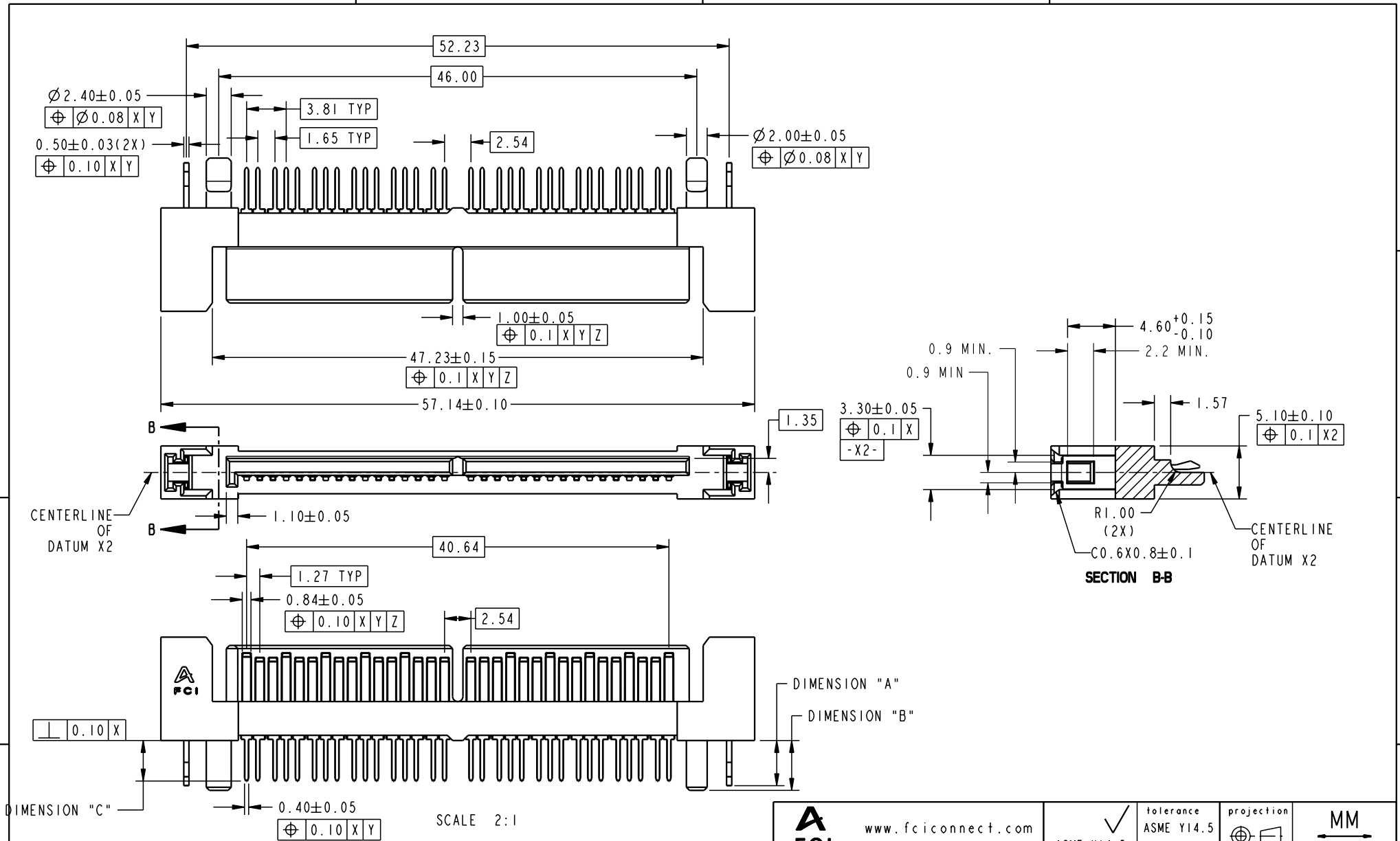


Tous droits strictement réservés. Reproduction ou communication à des tiers interdite sous quelque forme que ce soit sans autorisation écrite du propriétaire. Propriété de c FCI. Droits de reproduction FCI.



All rights strictly reserved. Reproduction or issue to third parties in any form whatever is not permitted without written authority from the proprietor. Property of FCI. Copyright FCI.



GENERAL TOLERANCE UNLESS OTHERWISE SPECIFIED		rev	ecn no	dr	date
		A	S05-0189	SH	06/28/05
		-	-	-	-
		-	-	-	-
LINEAR	X.X = ±0.25 X.XX = ±0.15 X.XXX = ±0.05	-	-	-	-
ANGULAR	±2°	-	-	-	-

FCI www.fciconnect.com		tolerance ASME Y14.5	projection	MM
Dr	SH TAN	06/28/05	ASME Y14.5	size A4
Eng	SH TAN	06/28/05	Product family	Scale 2:1
Chr	SH TAN	06/28/05	Spec ref	ECN S05-0189
Appr	JOEY NG	06/28/05	Material	SEE NOTES
title			10053670	Rev. A
catalog no			CUSTOMER	sheet 1 of 2

1

2

3

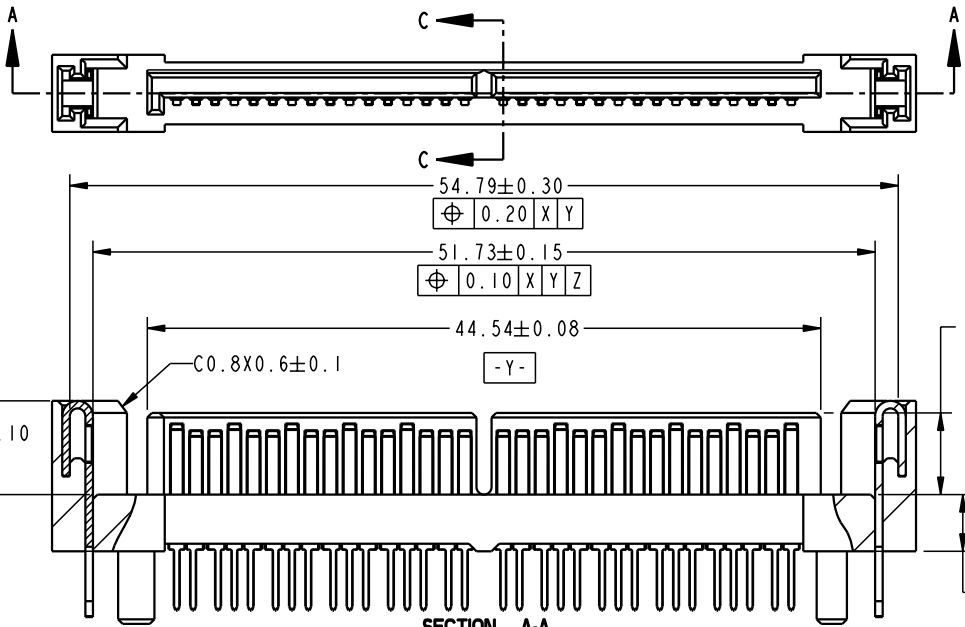
4

PRODUCT NO.	DIMENSION "A"	DIMENSION "B"	DIMENSION "C"	PCB THICKNESS
10053670-001LF	2.75±0.20	3.20±0.10	2.54±0.20	1.57±0.10
10053670-002LF	4.35±0.20	3.20±0.10	3.50±0.12	2.36±0.23

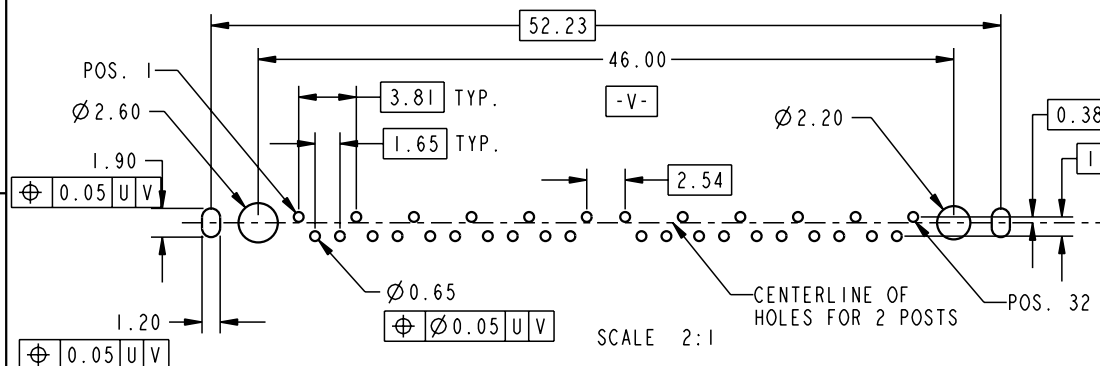
Tous droits strictement réservés. Reproduction ou communication à des tiers interdite sous quelque forme que ce soit sans autorisation écrite du propriétaire. Propriété de FCI. Droits de reproduction FCI.



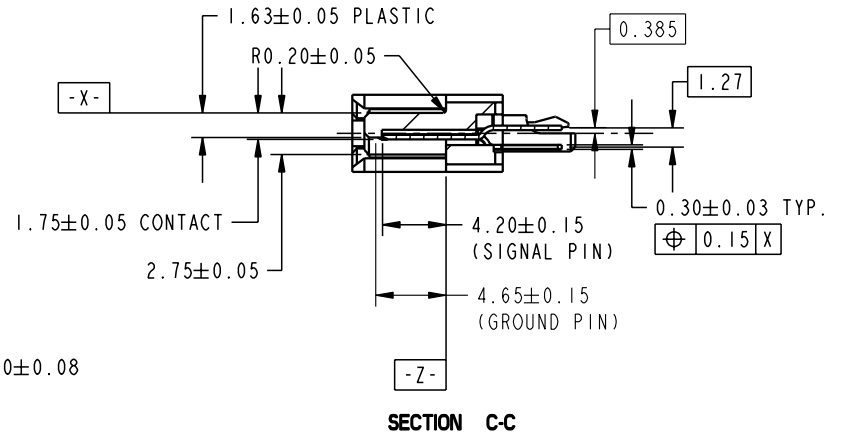
All rights strictly reserved. Reproduction or issue to third parties in any form whatever is not permitted without written authority from the proprietor. Property of FCI. Copyright FCI.



SECTION A-A
SCALE 2:1



RECOMMENDED PCB LAYOUT
(ALL TOLERANCES ARE ±0.05)



SECTION C-C

NOTES

- MATERIAL:
HOUSING: HIGH TEMPERATURE PLASTIC, BLACK OR GRAY, UL94V-0
CONTACT: COPPER ALLOY
HOLD DOWN: COPPER ALLOY
- FINISH:
1.27µm MIN NICKEL UNDERPLATE OVERALL,
1.91µm MIN TIN (LEAD-FREE) ON SOLDER TAIL,
0.76µm MIN GOLD IN CONTACT AREA
- THIS PRODUCT MEETS EUROPEAN UNION DIRECTIVES AND OTHER COUNTRY REGULATIONS AS DESCRIBED IN GS-22-008
- THE HOUSING WILL WITHSTAND EXPOSURE TO 260°C PEAK TEMPERATURE FOR 10 SECONDS IN A CONVECTION, INFRA-RED OR VAPOR PHASE REFLOW OVEN
- CONTACT WIPE: 2.07 MIN FOR SIGNAL AND 2.52 MIN FOR GROUND

title	4 LANE VERTICAL TH HEADER		dwg no	10053670		Rev.	A
	catalog no	CUSTOMER		sheet 2 of 2			