

**ANTI-SATURATION FILTERLESS 2W CLASS-D STEREO AMPLIFIER
WITH DC VOLUME CONTROL AND MAX OUTPUT POWER SETTING**

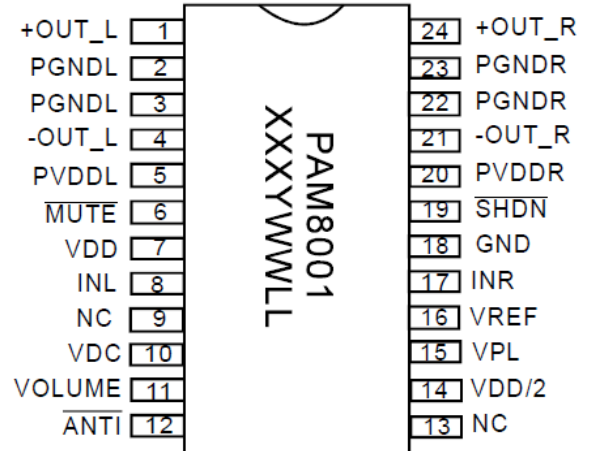
Description

The PAM8001 is a 2W, class-D audio amplifier. Advanced 64-step DC volume control minimizes external components and allows speaker volume control. PAM unique anti-saturation technology which detects output signal clip due to the over level input signal suppress the output signal clip automatically. Also control the gain for set max power. It can protect low wattage speaker from overdrive damage even same platform with high wattage model. It offers low THD+N, to produce high-quality sound reproduction. The new filterless architecture allows the device to drive the speaker directly, without low-pass output filters which will save system cost and PCB area.

With the same numbers of external components, the efficiency of the PAM8001 is much better than class-AB cousins. It can extend the battery life thus be ideal for portable applications.

The PAM8001 is available in SSOP-24L and QFN3*3-20L package.

Pin Assignments

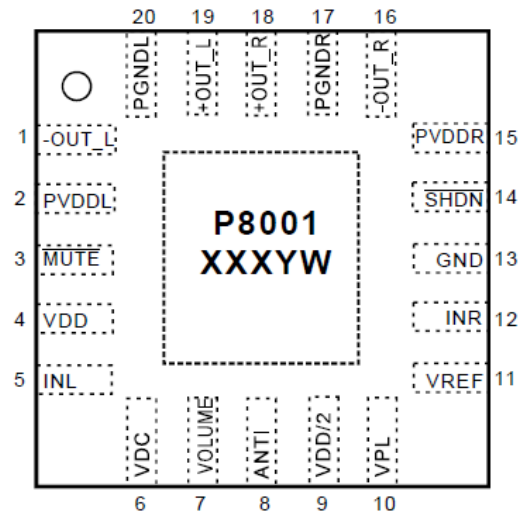


Features

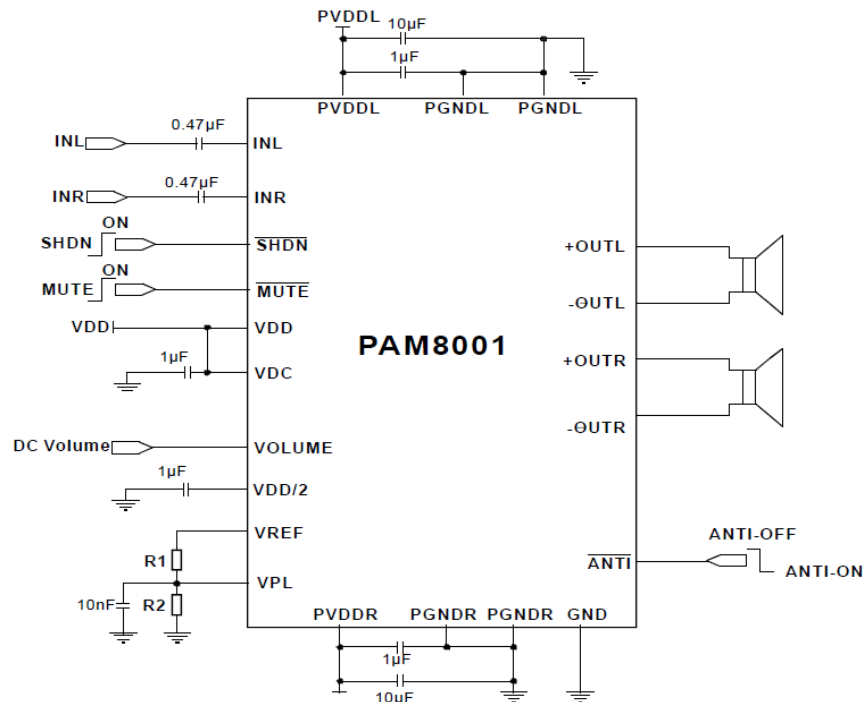
- 2W Output at 1% THD with a 4Ω Load at 5V Power Supply
- Filterless, Low Quiescent Current and Low EMI
- Low THD+N
- 64-Step DC Volume Control
- Unique Anti-Saturation Function
- Adjustable Max Output Power with No Clipping
- Superior Low Noise
- Low Pop Noise
- Efficiency up to 90%
- Short Circuit Protection
- Thermal Shutdown
- Few External Components to Save the Space and Cost
- Pb-Free Package

Applications

- LCD Monitors / TV Projectors
- Notebook Computers
- Portable Speakers
- Portable DVD Players, Game Machines
- VoIP/Speaker Phones
- All In One Computer /TV



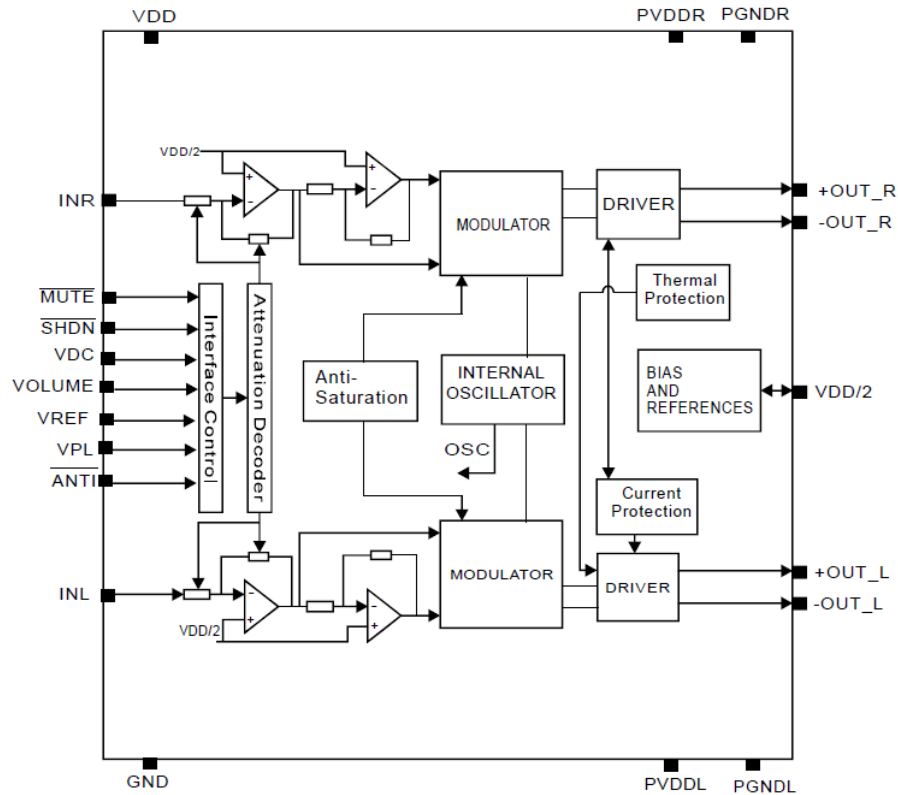
Typical Applications Circuit



Pin Descriptions

Pin Number		Pin Name	Function
QFN3x3	SSOP		
1	4	-OUT_L	Left Channel Negative Output
2	5	PVDDL	Left Channel Power Supply
3	6	$\overline{\text{MUTE}}$	Mute Control Input (active low)
4	7	VDD	Analog VDD
5	8	INL	Left Channel Input
6	10	VDC	Analog Reference for Gain Control Selection
7	11	VOLUME	DC Volume Control to Set the Gain of Class-D
8	12	ANTI	Anti-Saturation On/Off Control
9	14	VDD/2	Internal Common Mode Voltage, Connect a Bypass Capacitor form This Pin to GND
10	15	VPL	Maximum Output Power Setting Voltage
11	16	VREF	Reference Voltage Out for VPL
12	17	INR	Right Channel Input
13	18	GND	Analog Ground
14	19	$\overline{\text{SHDN}}$	Shutdown Control Input (active low)
15	20	PVDDR	Right Channel Power Supply
16	21	-OUT_R	Right Channel Negative Output
17	22/23	PGNDR	Right Channel Power GND
18	24	+OUT_R	Right Channel Positive Output
19	1	+OUT_L	Left Channel Positive Output
20	2/3	PGNDL	Left Channel Power GND
	9/13	NC	No Connection

Functional Block Diagram



Absolute Maximum Ratings (@T_A = +25°C, unless otherwise specified.)

These are stress ratings only and functional operation is not implied. Exposure to absolute maximum ratings for prolonged time periods may affect device reliability. All voltages are with respect to ground.

Parameter	Rating	Unit
Supply Voltage	6.0	V
Input Voltage	-0.3 to V _{DD} +0.3	
Operation Junction Temperature	-40 to +125	°C
Storage Temperature	-65 to +150	
Soldering Temperature	300, 5sec	

Recommended Operating Conditions (@T_A = +25°C, unless otherwise specified.)

Parameter	Rating	Unit
Supply Voltage Range	2.5 to 5.5	V
Junction Temperature Range	-40 to +125	°C
Ambient Operation Temperature Range	-20 to +85	

Thermal Information

Parameter	Symbol	Package	Maximum	Unit
Thermal Resistance (Junction to Ambient)	θ_{JA}	SSOP-24L	96	°C/W
Thermal Resistance (Junction to Ambient)	θ_{JA}	QFN3*3-20L	31	°C/W

Electrical Characteristics ($V_{DD} = 5V$, Gain = Maximum, $R_L = 8\Omega$, @ $T_A = +25^\circ C$, unless otherwise specified.)

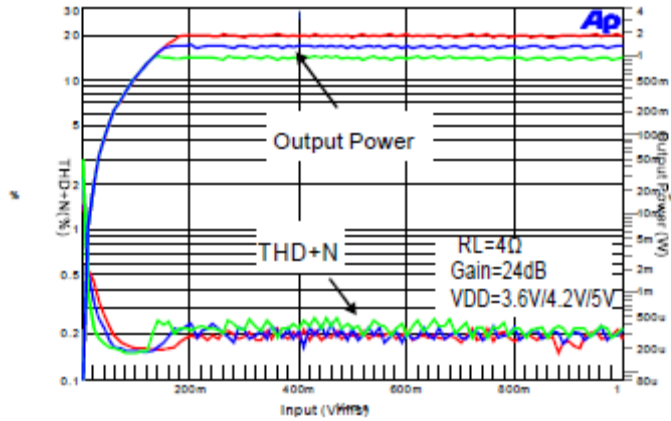
Symbol	Parameter	Conditions	Min	Typ	Max	Unit
V_{DD}	Supply Voltage Range		2.5		5.5	V
I_Q	Quiescent Current	No Load		11.5	15	mA
V_{OS}	Output Offset Voltage	$V_{IN} = 0V$		20		mV
$R_{DS(ON)}$	Drain-Source On-State Resistance	$I_{DS} = 0.5A$	P MOSFET	0.21		Ω
			N MOSFET	0.165		
P_O	Output Power with Anti-Saturation	THD+N <1% $f = 1kHz$, $V_{PL} = 1V$	$R_L = 8\Omega$	1		W
			$R_L = 4\Omega$	1.9		
P_O	Output Power without Anti-Saturation	THD+N <10% $f = 1kHz$, $V_{PL} = 1.5V$	$R_L = 8\Omega$	1.35	1.5	W
			$R_L = 4\Omega$	2.65	2.8	
THD+N	Total Harmonic Distortion Plus Noise	$R_L = 8\Omega$, $P_O = 0.85W$, $f = 1kHz$ $R_L = 4\Omega$, $P_O = 1.75W$, $f = 1kHz$		0.08		%
				0.08		
PSRR	Power Supply Ripple Rejection	Input AC-GND, $f = 1kHz$, $V_{PP} = 200mV$, Gain = 6dB		70		dB
CS	Channel Separation	$P_O = 1W$, $f = 1kHz$		-85		dB
f_{OSC}	Oscillator Frequency		200	250	300	kHz
η	Efficiency	$P_O = 1.7W$, $f = 1kHz$, $R_L = 8\Omega$	85	89		%
		$P_O = 3.0W$, $f = 1kHz$, $R_L = 4\Omega$	80	83		%
V_n	Noise	Input AC-GND Gain = 6dB	A-Weighting	50		μV
			No A-Weighting	70		
SNR	Signal Noise Ratio	$f = 20-20kHz$, Gain = 6dB		85		dB
UVLO	Under Voltage Lock-Out			2.0		V
I_{MUTE}	Mute Current	$V_{MUTE} = 0.3V$		4.2		mA
I_{SHDN}	Shutdown Current	$V_{SHDN} = 0V$			1	μA
V_{SH}	\overline{SHDN} Input High		1.3			V
V_{SL}	\overline{SHDN} Input Low				0.65	V
V_{MH}	\overline{MUTE} Input High		1.3			V
V_{ML}	\overline{MUTE} Input Low				0.66	V
V_{PL}	V_{PL} Threshold Voltage	Power Limit Off		1.5	Note 1	V
V_{REF}	V_{REF} Voltage	$V_{DD} = 2.5V$ to $5.5V$		1.2		V
I_D	V_{REF} Drive Current	$V_{DD} = 2.5V$ to $5.5V$			150	μA
OTP	Over Temperature Protection			150		°C
OTH	Over Temperature Hysteresis			30		°C

Note: 1. Maximum Output Power vs. V_{PL} Voltage
 $V_{DD} = 5V$, $R_L = 4\Omega$, $T_A = +25^\circ C$

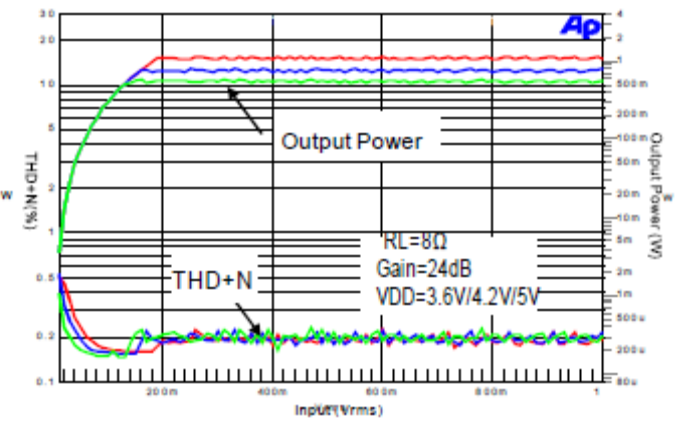
V_{PL} (V)	0	0.1	0.2	0.3	0.4	0.5	0.6	0.7	0.8	0.9	1.0	1.1	1.2	>1.5
P_O (W)	0	0.04	0.11	0.21	0.34	0.50	0.68	0.94	1.28	1.52	1.90	2.15	2.40	2.8

Typical Operating Characteristics (@T_A = +25°C, unless otherwise specified.)

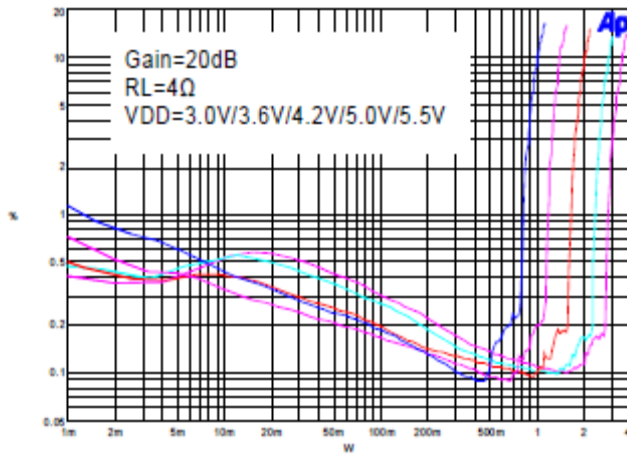
1. THD+N vs Output Power vs Input



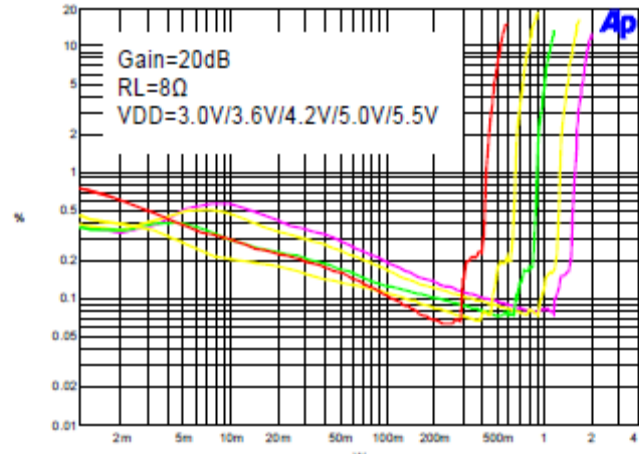
2. THD+N vs Output Power vs Input



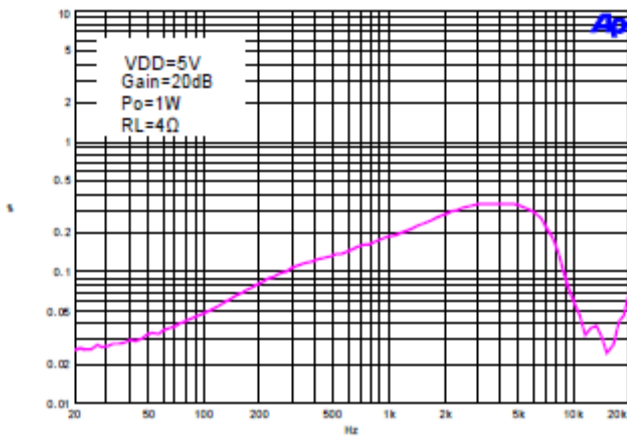
3. THD+N vs Output Power



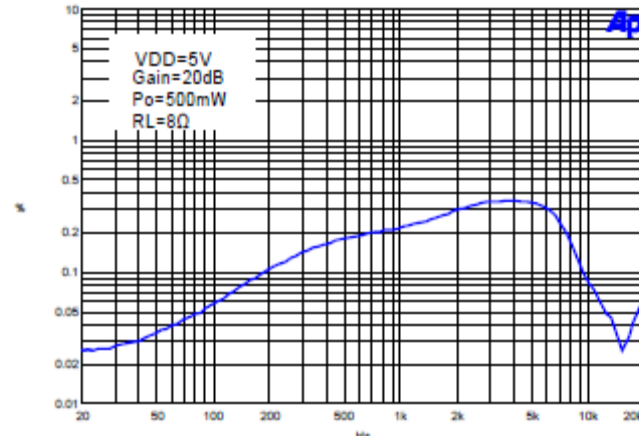
4. THD+N vs Output Power



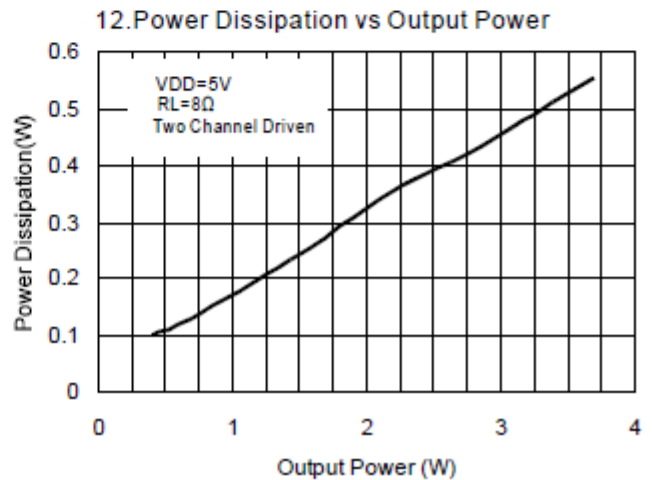
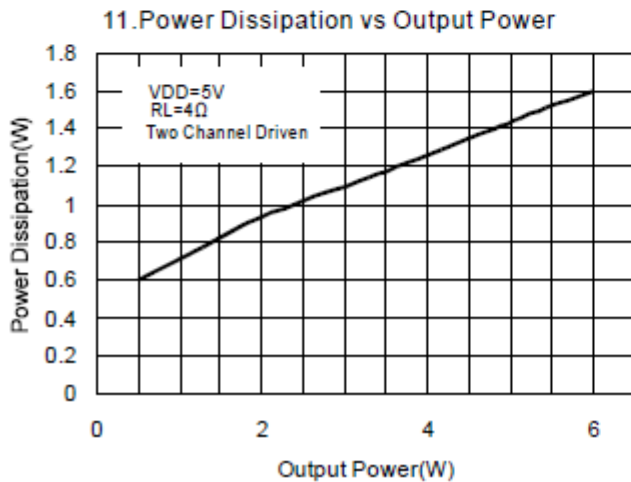
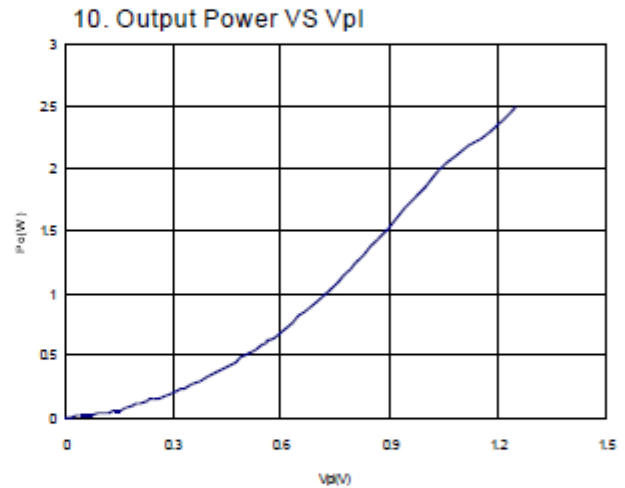
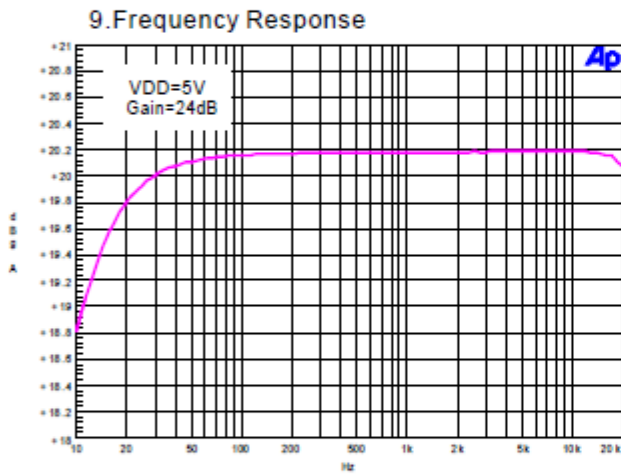
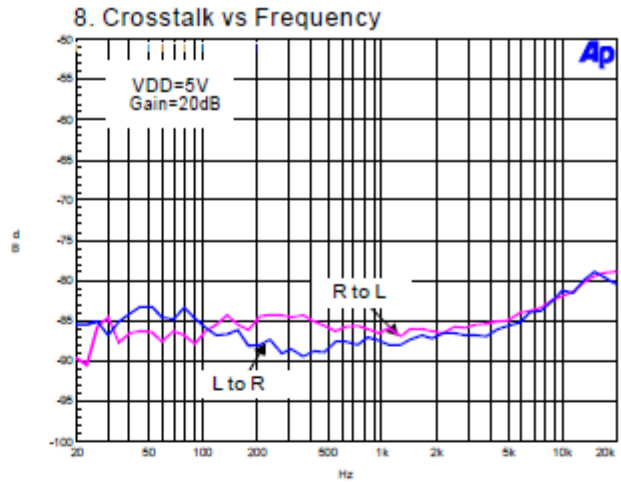
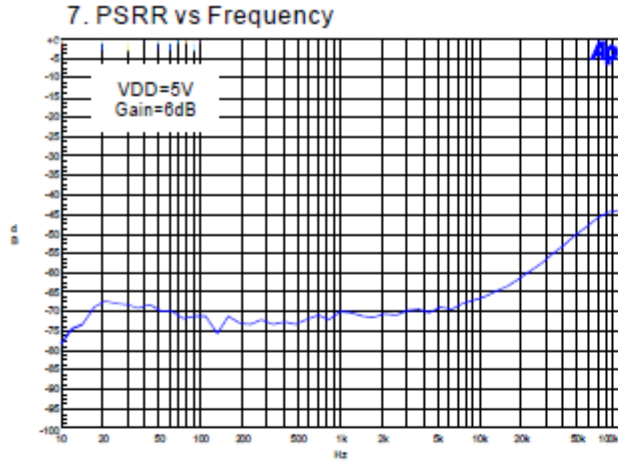
5. THD+N vs Frequency



6. THD+N vs Frequency

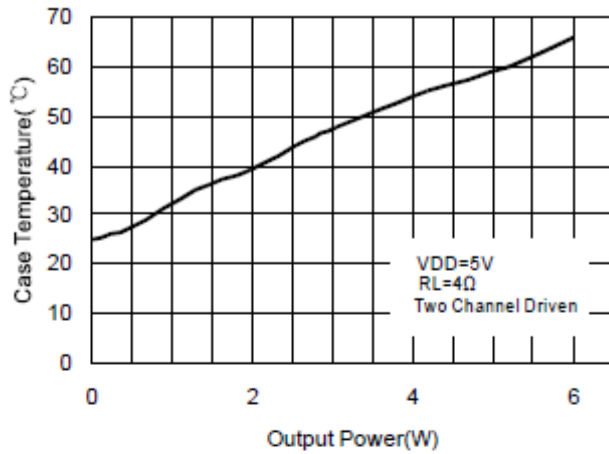


Typical Operating Characteristics (cont.) (@ $T_A = +25^\circ\text{C}$, unless otherwise specified.)

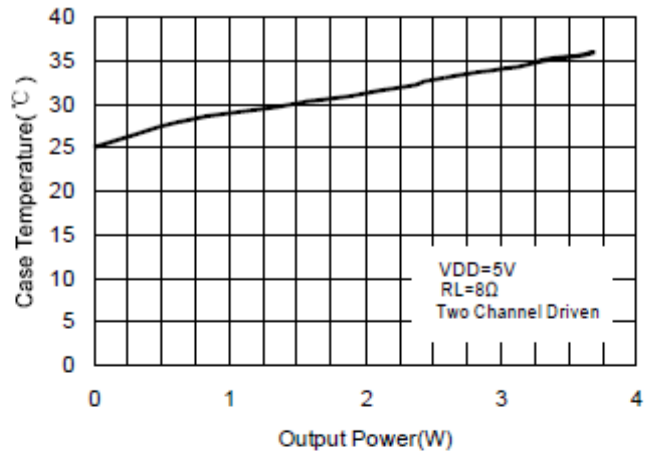


Typical Operating Characteristics (cont.) (@ $T_A = +25^\circ\text{C}$, unless otherwise specified.)

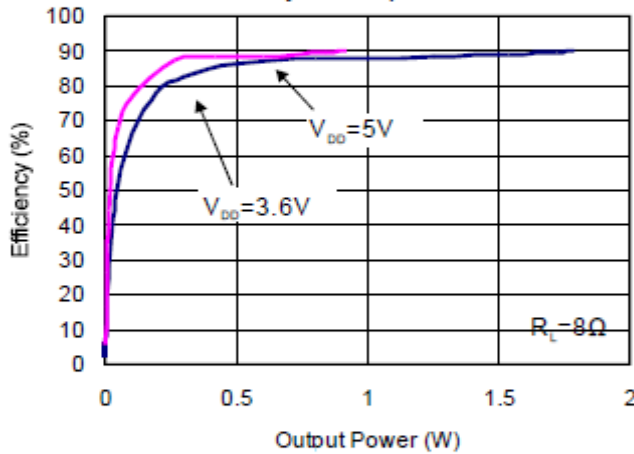
13. Case Temperature vs Output Power



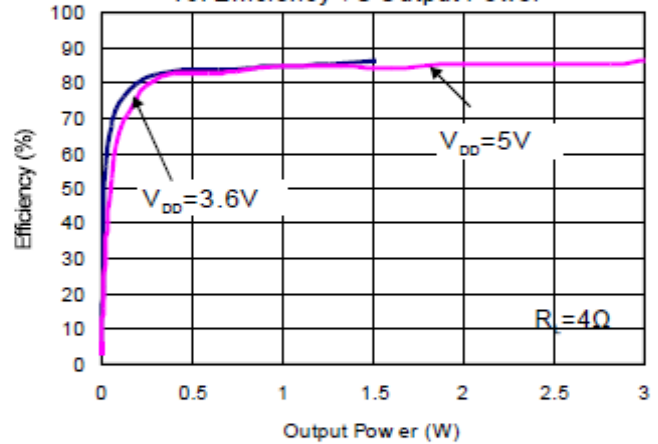
14. Case Temperature vs Output Power



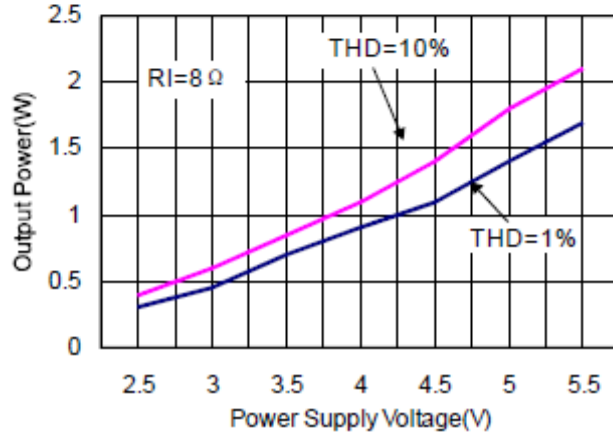
15. Efficiency VS Output Power



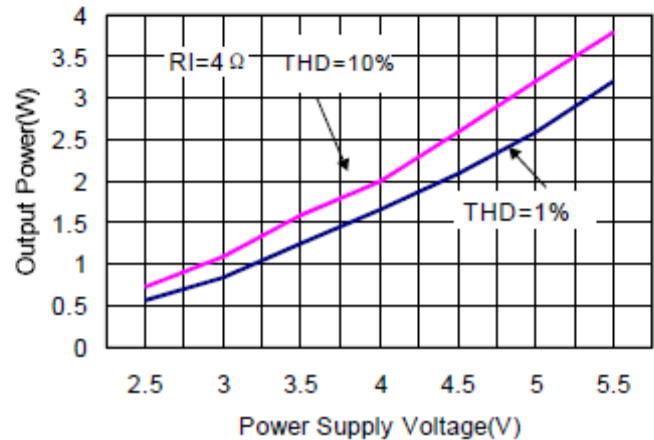
16. Efficiency VS Output Power



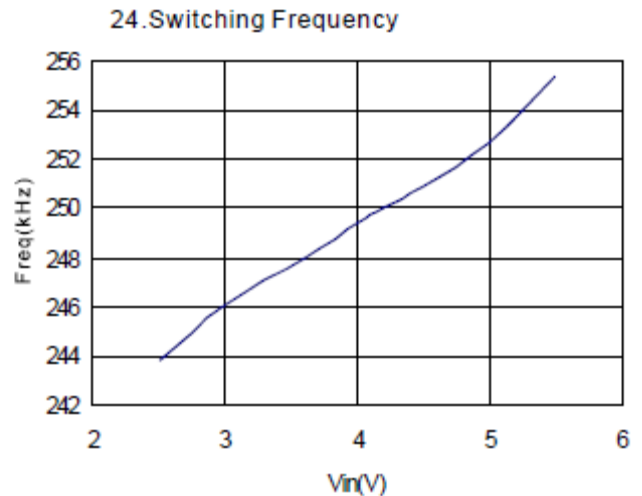
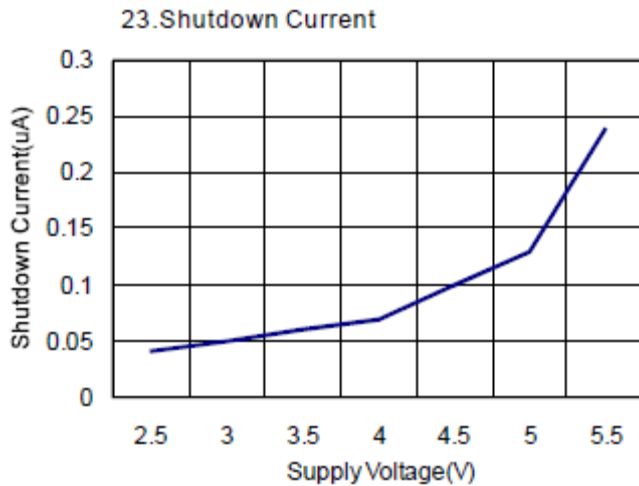
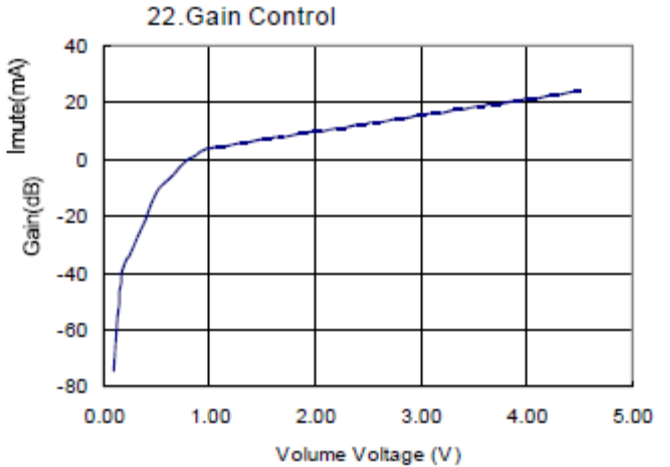
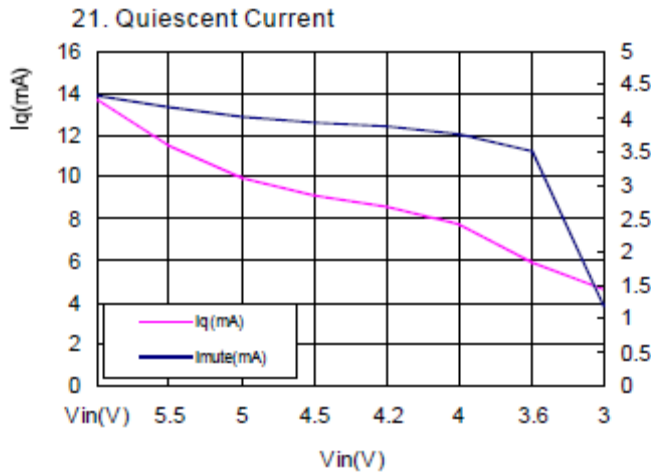
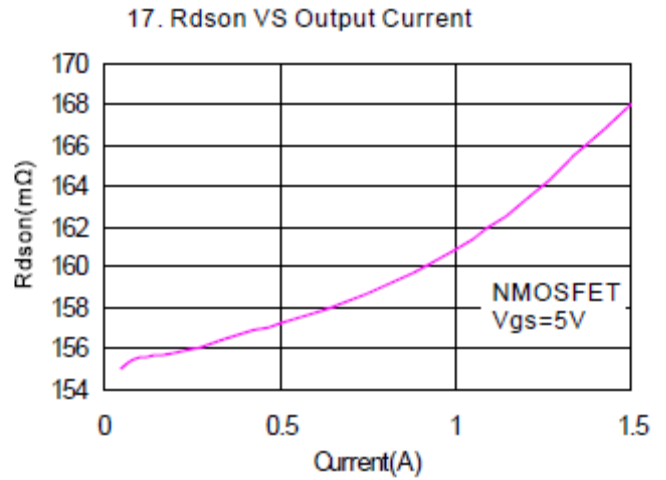
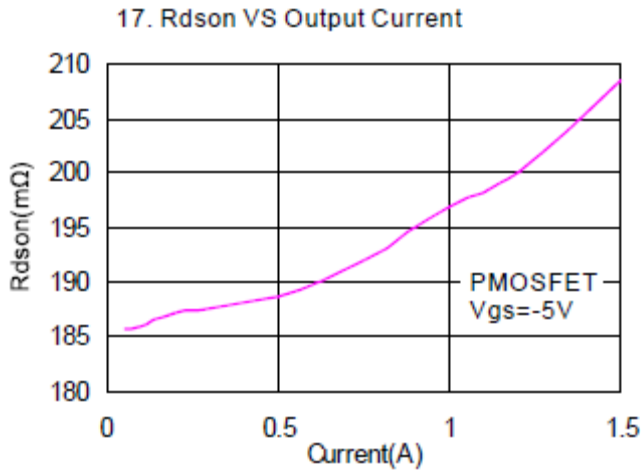
17. Output Power VS Supply Voltage



18. Output Power VS Supply Voltage



Typical Operating Characteristics (cont.) (@T_A = +25°C, unless otherwise specified.)



Typical Operating Characteristics (cont.) (@T_A = +25°C, unless otherwise specified.)

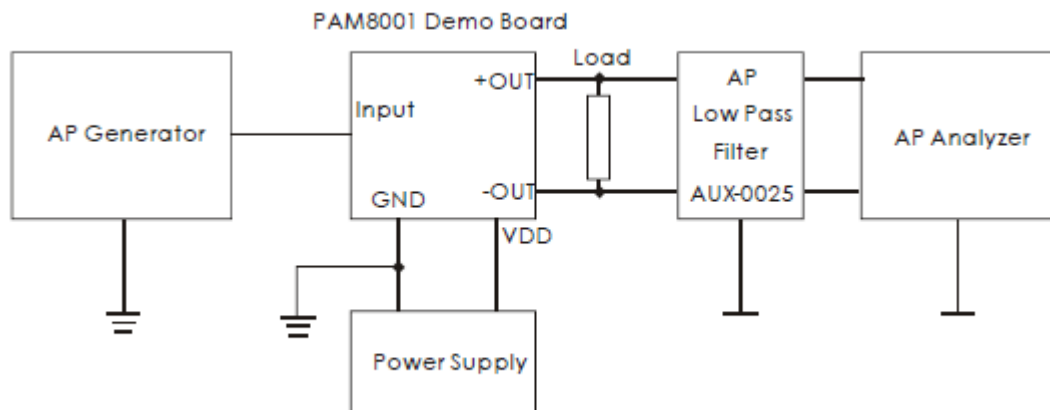
Table 1 DC Volume Control

STEP	Gain (dB)		STEP	Gain (dB)
0	-75		32	11.6
1	-40		33	12.0
2	-34		34	12.4
3	-28		35	12.8
4	-22		36	13.2
5	-16		37	13.6
6	-10		38	14.0
7	-7.5		39	14.4
8	-5.0		40	14.8
9	-2.5		41	15.2
10	0		42	15.6
11	1.5		43	16.0
12	3.0		44	16.4
13	4.0		45	16.8
14	4.4		46	17.2
15	4.8		47	17.6
16	5.2		48	18.0
17	5.6		49	18.4
18	6.0		50	18.8
19	6.4		51	19.2
20	6.8		52	19.6
21	7.2		53	20.0
22	7.6		54	20.4
23	8.0		55	20.8
24	8.4		56	21.2
25	8.8		57	21.6
26	9.2		58	22.0
27	9.6		59	22.4
28	10.0		60	22.8
29	10.4		61	23.2
30	10.8		62	23.6
31	11.2		63	24.0

Application Information

1. When the PAM8001 works with LC filters, it should be connected with the speaker before it's powered on, otherwise it will be damaged easily.
2. When the PAM8001 works without LC filters, it's better to add a ferrite chip bead at the outgoing line of speaker for suppressing the possible electro magnetic interference.
3. The absolute maximum rating of the PAM8001 operation voltage is 6.0V. When the PAM8001 is powered with 4 battery cells, it should be noted that the voltage of 4 new dry or alkaline batteries is over 6V, higher than its maximum operation voltage, which probably make the device damaged. Therefore, it's recommended to use either 4 Ni-MH (Nickel Metal Hydride) rechargeable batteries or 3 dry or alkaline batteries.
4. The input signal should not be too high, if too high, it will cause the clipping of output signal when increasing the volume. Because the DC volume control of the PAM8001 has big gain, it will make the device damaged.
5. When testing the PAM8001 without LC filters by using resistor instead of speaker as the output load, the test results, e.g. THD or efficiency, will be worse than those using speaker as load.

Test Setup for Performance Testing



- Notes:
1. The AP AUX-0025 low pass filter is necessary for class-D amplifier measurement with AP analyzer.
 2. Two 22μH inductors are used in series with load resistor to emulate the small speaker for efficiency measurement.

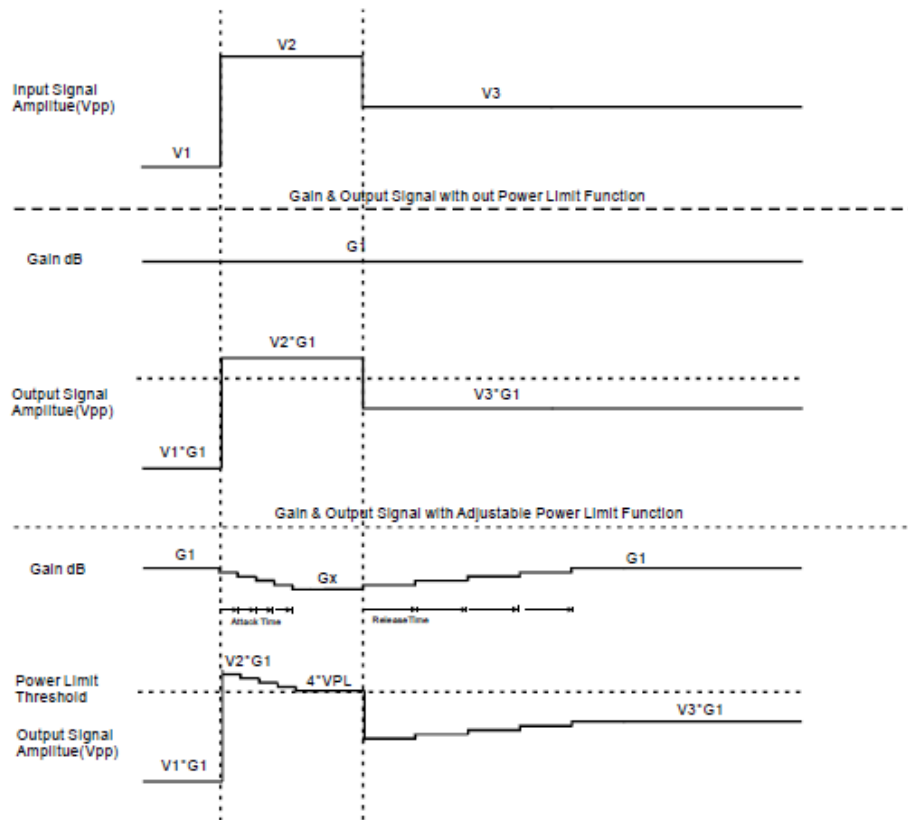
Description of Adjustable Power Limit with Anti-Saturation

Adjustable power limit provides AGC to the amplifier and limit the Maximum Output Power.

The behavior of power limit function showing as below.

The power limit control detect output signal amplitude continuously, when the peak output is excised limit threshold (setting by external resistor).Control system will decrease the one step gain(typical -0.5dB). Then attack time is reset for next gain decrease. The control system will decrease the gain step by step until the peak output signal equal to the threshold level. After these, when the input signal's amplitude decreased or DC volume control reduced the amplifier's gain or happened together, the control system will calculate the ideal output level. When that level lower then limit threshold , the will start to recovery to the original gain (which is setting by DC volume control).The first release step is no delay, reset with release time per step.

Application Information (cont.)



Variable	Description	Typical Value	Unit
VPL	Voltage for power limit voltage, Setting by external resistor divider	0.4 to 1.2	V
Gain Range	Adjustable gain range of power limit and anti-saturation function	75	dB
Gain Step Size	Gain step size for adjustable power limit and anti-saturation function	Note 2	dB
Attack Time (per step)	The minimum time between two gain decrements. (per step)	32	μS
Release Time (per step)	The minimum time between two gain increments. (per step)	250	mS

Note: 2. Please contact Diodes for detail information.

Anti-Saturation Function

If the preset gain is higher than power set, anti-saturation is active by detecting the duty cycle of the PWM output. When the mode has been detected, the gain is automatically adjusted to the value that the output is not clip step by step. The attach is immediate and the release time is 250mS per step.

MUTE Operation

The MUTE pin is an input for controlling the output state of the PAM8001. A logic low on this pin disables the outputs, and a logic high on this pin enables the outputs. This pin may be used as a quick disable or enable of the outputs without a volume fade. Quiescent current is listed in the electrical characteristic table. The MUTE pin can be left floating due to the internal pull-up

Shutdown Operation

In order to reduce power consumption while not in use, the PAM8001 contains shutdown circuitry to turn off amplifier's bias circuitry. The amplifier is turned off when logic low is placed on the SHDN pin. By switching the SHDN pin connected to GND, the PAM8001 supply current draw will be minimized in idle mode. The SHDN pin can be left floating due to the internal pull-up.

Application Information (cont.)

For the best power on/off pop performance, the amplifier should be placed in the Mute mode prior to turning on/off the power supply.

Power Supply Decoupling

The PAM8001 is a high performance CMOS audio amplifier that requires adequate power supply decoupling to ensure the output THD and PSRR are as low as possible. Power supply decoupling affects low frequency on the power supply leads. For higher frequency response, optimum decoupling is achieved by using two capacitors of different types that target different types of noise frequency transients, spikes, or digital hash on the line, a good low equivalent-series-resistance (ESR) ceramic capacitor, typically 1.0 μ F, placed as close as possible to the device V_{DD} terminal works best. For filtering lower-frequency noise signals, a large capacitor of 10 μ F (ceramic) or greater placed near the audio power amplifier is recommended.

Input Capacitor (C_i)

Large input capacitors are both expensive and space hungry for portable designs. Clearly, a certain sized capacitor is needed to couple in low frequencies without severe attenuation. But in many cases the speakers used in portable systems, whether internal or external have little ability to reproduce signals below 100Hz to 150Hz. Thus, using a large input capacitor may not increase actual system performance. In this case, input capacitor (C_i) and input resistance (R_i) of the amplifier form a high-pass filter with the corner frequency determined equation below,

$$f_c = \frac{1}{2\pi R_i C_i}$$

In addition to system cost and size, click and pop performance is affected by the size of the input coupling capacitor, C_i . A larger input coupling capacitor requires more charge to reach its quiescent DC voltage (nominally $\frac{1}{2} V_{DD}$). This charge comes from the internal circuit via the feedback and is apt to create pops upon device enable. Thus, by minimizing the capacitor size based on necessary low frequency response, turn-on pops can be minimized.

Analog Reference Bypass Capacitor (C_{BYP})

The Analog Reference Bypass Capacitor (C_{BYP}) at $V_{DD}/2$ pin, is the most critical capacitor and serves several important functions. During start-up or recovery from shutdown mode, C_{BYP} determines the rate at which the amplifier starts up. The second function is to reduce noise produced by the power supply caused by coupling into the output drive signal. The noise is from the internal analog reference to the amplifier, which appears as degraded PSRR and THD+N.

A ceramic bypass capacitor (C_{BYP}) of 0.47 μ F to 1.0 μ F is recommended for the best THD and noise performance. Increasing the bypass capacitor reduces clicking and popping noise from power on/off and entering leaving shutdown.

Under Voltage Lock-Out (UVLO)

The PAM8001 incorporates circuitry designed to detect when supply voltage is low. When the supply voltage drops to 1.8V or below, the PAM8001 outputs are disabled and the device comes out of this state and states to normal functional once $V_{DD} \geq 2.0V$.

Short Circuit Protection (SCP)

The PAM8001 has short circuit protection circuitry on the outputs that prevents the device from damage when output-to-output and output-to-GND short. When a short circuit is detected on the outputs, the outputs are disabled immediately. If the short was removed, the device activates again.

Over Temperature Protection

Thermal protection on the PAM8001 prevents the device from damage when the internal die temperature exceeds 150°C. There is a 15 degree tolerance on this trip point from device to device. Once the die temperature exceeds the thermal set point, the device outputs are disabled. This is not a latched fault. The thermal fault is cleared once the temperature of the die is reduced by 30°C. This large hysteresis will prevent motor boating sound well. The device begins normal operation at this point without external system interaction.

Application Information (cont.)

How to Reduce EMI (Electro Magnetic Interference)

A simple solution is to put an additional capacitor 1000uF at power supply terminal for power line coupling if the traces from amplifier to speakers are short (<20CM).

Most applications require a ferrite bead filter as shown at Figure 1. The ferrite filter reduces EMI around 1 MHz and higher. When selecting a ferrite bead, choose one with high impedance at high frequencies, and low impedance at low frequencies (MH2012HM221-T).

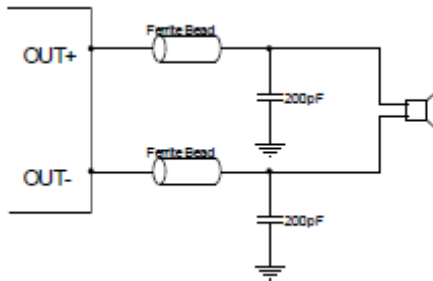


Figure 1 Ferrite Bead Filter to Reduce EMI

PCB Layout Guidelines Grounding

At this stage it is paramount to notice the necessity of separate grounds. Noise currents in the output power stage need to be returned to output noise ground and nowhere else. Were these currents to circulate elsewhere, they may get into the power supply, the signal ground, etc, worse yet, they may form a loop and radiate noise. Any of these cases results in degraded amplifier performance. The logical returns for the output noise currents associated with Class-D switching are the respective PGND pins for each channel. The switch state diagram illustrates that PGND is instrumental in nearly every switch state. This is the perfect point to which the output noise ground trace should return. Also note that output noise ground is channel specific. A two channel amplifier has two separate channels and consequently must have two separate output noise ground traces. The layout of the PAM8001 offers separate PGND connections for each channel and in some cases each side of the bridge. Output noise grounds must be tied to system ground at the power in exclusively. Signal currents for the inputs, reference, etc need to be returned to quite ground. This ground is only tied to the signal components and the GND pin, and GND then tied to system ground.

PCB Layout Example

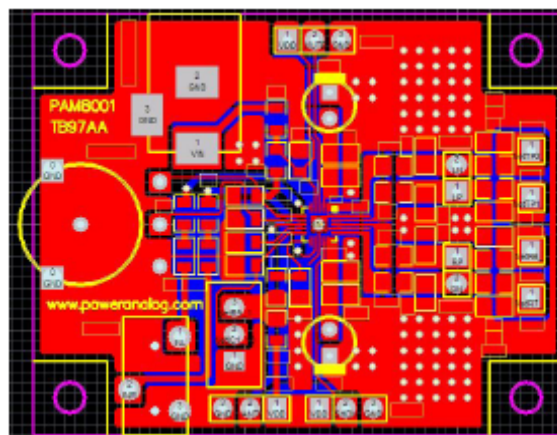
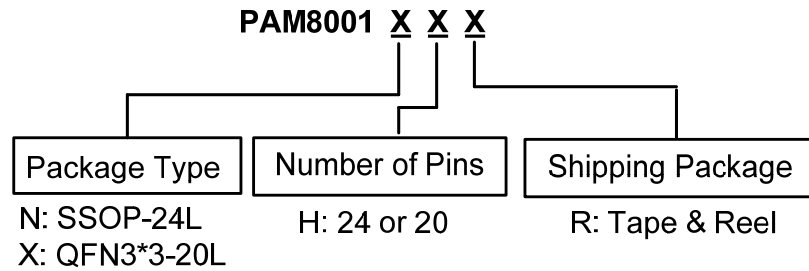


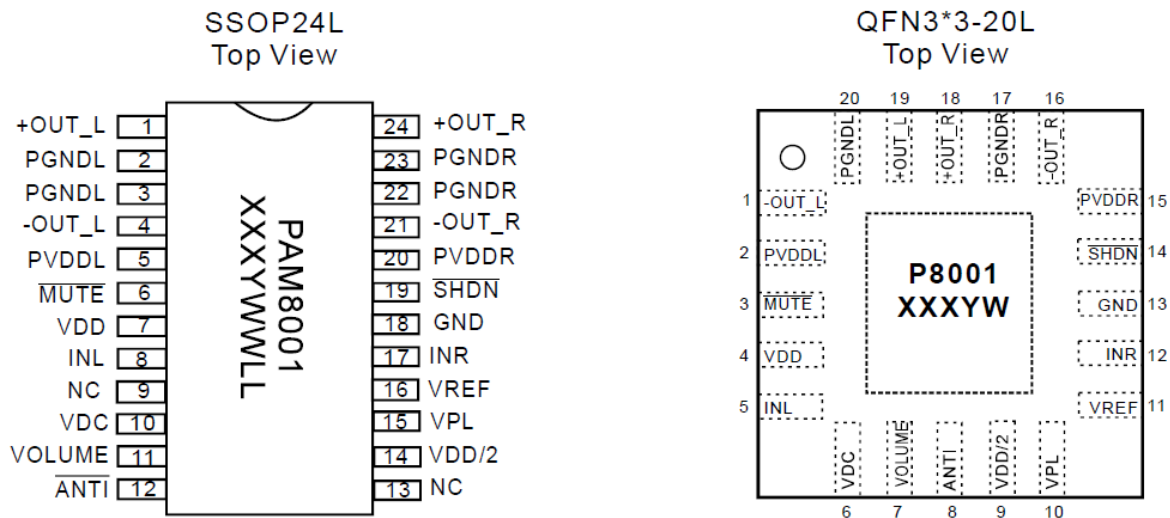
Figure 2 Top Layer

Ordering Information



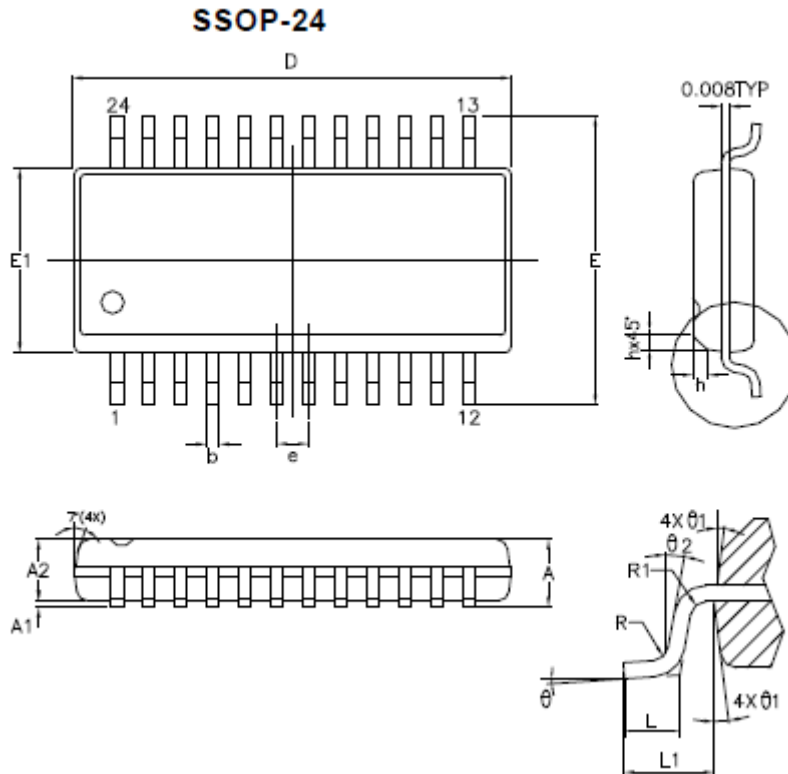
Part Number	Package Type	Standard Package
PAM8001NHR	SSOP-24L	2500 Units/Tape & Reel
PAM8001XHR	QFN3*3-20L	2500 Units/Tape & Reel

Marking Information



X: Internal Code
Y: Year
W: Week
L: Internal Code

Package Outline Dimensions (All dimensions in mm.)

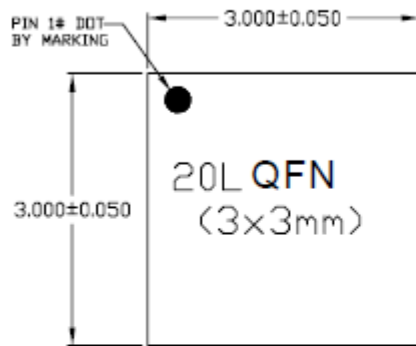


SYMBOLS	MIN.	NOM.	MAX.
A	0.053	0.061	0.069
A1	0.004	—	0.010
A2	0.049	0.057	0.065
b	0.008	0.010	0.012
D	0.335	0.341	0.347
E	0.228	0.236	0.244
E1	0.150	0.154	0.158
e	—	0.025	—
L	0.016	0.033	0.050
L1	0.041 REF		
R	0.003	—	—
R1	0.003	—	—
h	0.010	0.015	0.020
Ø	0°	4°	8°
Ø1	5°	10°	15°
Ø2	0°	—	—

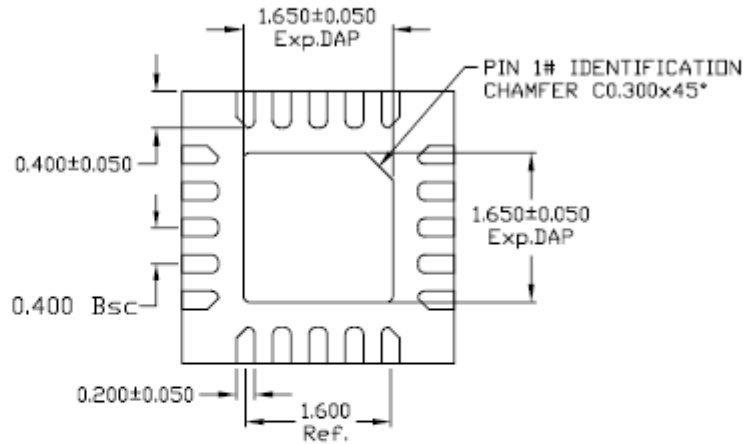
UNIT : INCH

Package Outline Dimensions (cont.) (All dimensions in mm.)

QFN3*3-20L



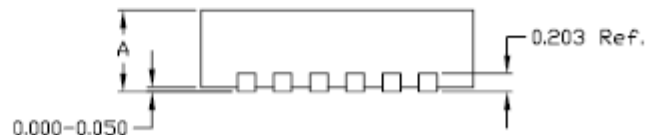
TOP VIEW



BOTTOM VIEW

NOTE
D TSLP AND SLP SHARE THE SAME EXPOSE OUTLINE
BUT WITH DIFFERENT THICKNESS:

A	QFN	
	MAX.	0.800
	NOM.	0.750
MIN.	0.700	



SIDE VIEW

IMPORTANT NOTICE

DIODES INCORPORATED MAKES NO WARRANTY OF ANY KIND, EXPRESS OR IMPLIED, WITH REGARDS TO THIS DOCUMENT, INCLUDING, BUT NOT LIMITED TO, THE IMPLIED WARRANTIES OF MERCHANTABILITY AND FITNESS FOR A PARTICULAR PURPOSE (AND THEIR EQUIVALENTS UNDER THE LAWS OF ANY JURISDICTION).

Diodes Incorporated and its subsidiaries reserve the right to make modifications, enhancements, improvements, corrections or other changes without further notice to this document and any product described herein. Diodes Incorporated does not assume any liability arising out of the application or use of this document or any product described herein; neither does Diodes Incorporated convey any license under its patent or trademark rights, nor the rights of others. Any Customer or user of this document or products described herein in such applications shall assume all risks of such use and will agree to hold Diodes Incorporated and all the companies whose products are represented on Diodes Incorporated website, harmless against all damages.

Diodes Incorporated does not warrant or accept any liability whatsoever in respect of any products purchased through unauthorized sales channel.

Should Customers purchase or use Diodes Incorporated products for any unintended or unauthorized application, Customers shall indemnify and hold Diodes Incorporated and its representatives harmless against all claims, damages, expenses, and attorney fees arising out of, directly or indirectly, any claim of personal injury or death associated with such unintended or unauthorized application.

Products described herein may be covered by one or more United States, international or foreign patents pending. Product names and markings noted herein may also be covered by one or more United States, international or foreign trademarks.

This document is written in English but may be translated into multiple languages for reference. Only the English version of this document is the final and determinative format released by Diodes Incorporated.

LIFE SUPPORT

Diodes Incorporated products are specifically not authorized for use as critical components in life support devices or systems without the express written approval of the Chief Executive Officer of Diodes Incorporated. As used herein:

A. Life support devices or systems are devices or systems which:

1. are intended to implant into the body, or
2. support or sustain life and whose failure to perform when properly used in accordance with instructions for use provided in the labeling can be reasonably expected to result in significant injury to the user.

B. A critical component is any component in a life support device or system whose failure to perform can be reasonably expected to cause the failure of the life support device or to affect its safety or effectiveness.

Customers represent that they have all necessary expertise in the safety and regulatory ramifications of their life support devices or systems, and acknowledge and agree that they are solely responsible for all legal, regulatory and safety-related requirements concerning their products and any use of Diodes Incorporated products in such safety-critical, life support devices or systems, notwithstanding any devices- or systems-related information or support that may be provided by Diodes Incorporated. Further, Customers must fully indemnify Diodes Incorporated and its representatives against any damages arising out of the use of Diodes Incorporated products in such safety-critical, life support devices or systems.

Copyright © 2013, Diodes Incorporated

www.diodes.com