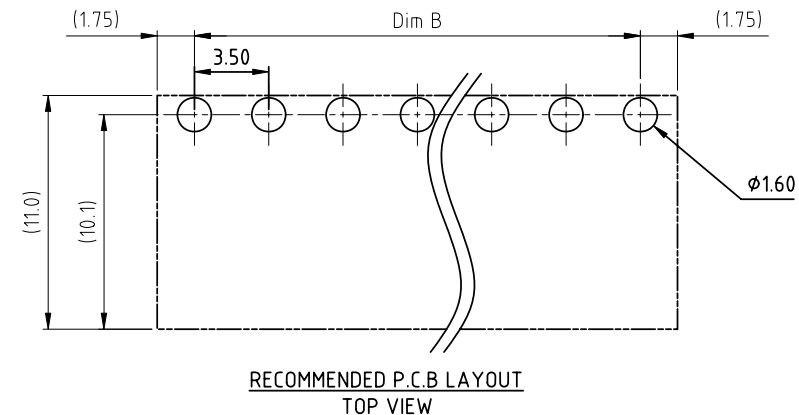
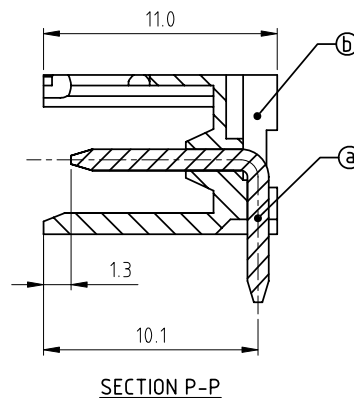
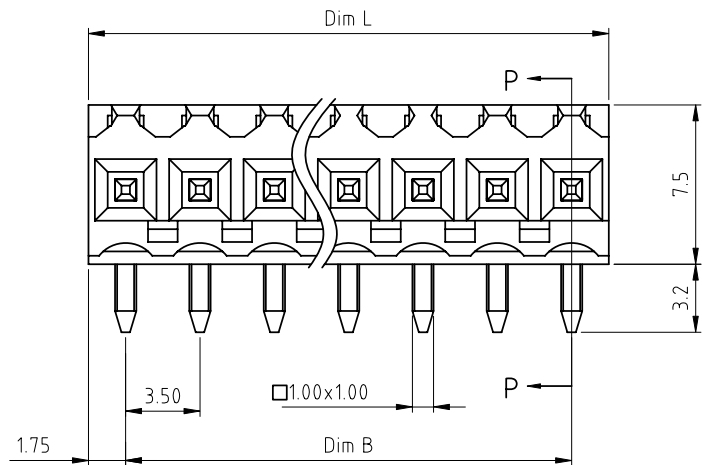


PRODUCT NUMBER	PITCH
ELxx11x300J0G	3.50 mm



Material:

- Item ① Male contact pin: Copper, Tin plated.
- Item ② Terminal (housing): Thermoplastic (UL94V-0)

Electrical cULus

- Voltage rating: 300V
- Current rating: 10A
- Withstanding Voltage: 1.6KV
- Operating temperature: -40°C to +115°C
- Soldering temperature: 260°C±5°C/5 Sec
- Safety Approval:

DIMENSION

Dim L	Nx3.50
Dim B	(N-1)x3.50

N= Number of poles

Poles	Tolerance
2p-6p	±0.15
7p-12p	±0.20
13p-18p	±0.25
19p-24p	±0.30

PART NO.: EL xx 11 x 3 00J0 G

Solid block	No. of poles	Color	RoHS compliant
0	2	Black (RAL9005)	(lead<4%) In copper Alloy
02	3	Red (RAL3001/D)	
03	4	Orange(RAL2011/P)	
...	5	Yellow(RAL1018/A)	
...	6	Green(RAL6018/T)	
24	7	Blue (RAL5015/A)	
	8	Grey(RAL7035/D)	
	9	White(RAL1102)	
	C	Green(RAL6018/U)	

mat'l. code		surface ASME Y14.5	tolerance ASME Y14.5	projection 	product family TERMINAL BLOCK
ltr	ecn no	dr	date	tolerances unless otherwise specified	title TERMINAL BLOCK
				angles 	PLUGGABLE SOCKET, OPEN RIGHT-ANGLE, DIP TYPE
				X°±1'	scale
				dr EVIN ZHONG 042214	dwg no
				enr EVIN ZHONG 042214	sheet 1 of 1
				chr HANKE FENG 042214	size A4
				appd SHI JUN 042214	ELxx11x300J0G
					type CUSTOMER Drawing
sheet index	revision sheet	A	1		