

### Features

- Extended pass band
- Low loss
- High rejection

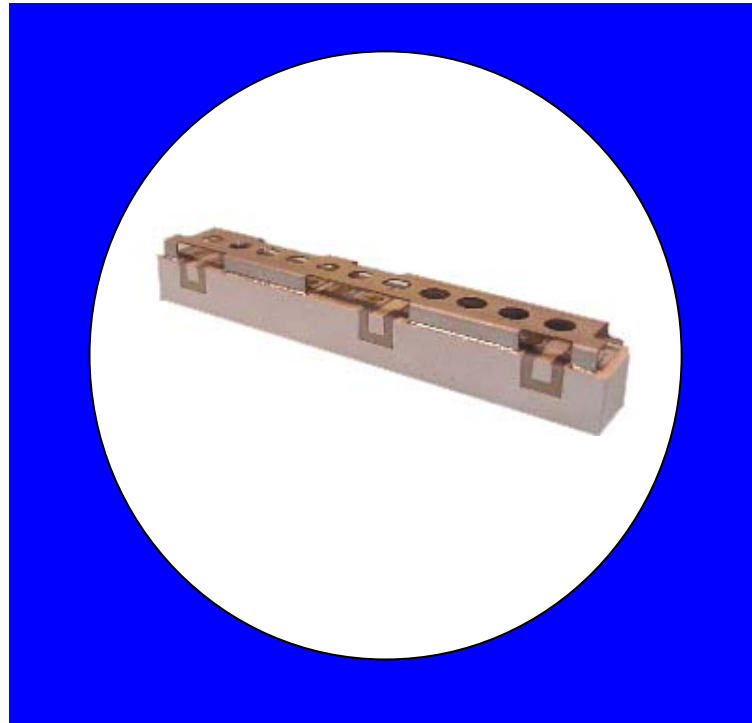
### Description

Surface mount, silver (Ag) coated ceramic duplexer. Developed for use in GSM Infrastructure applications.

Weight: Approximately 30.0 grams typical

Material: Filter is composed of a ceramic block plated with Ag and a shield made of nickel silver plated steel.

Filter complies with RoHS standards.



### Electrical Specifications

Parameter	Frequency MHz	Typical @ 25°C	Specification @ 25°C	Spec over 40°C to +85°C
<b>Low Band Response (S21)</b>				
Passband Iloss	885 - 909	-1.80	-2.10	-2.30
Passband Ripple	885 - 909	0.80	1.00	1.20
Passband Return Loss @ Port 2	885 - 909	-15.5	-14.0	-14.0
Passband Return Loss @ Ant	885 - 909	-15.5	-14.0	-14.0
Attenuation	0.1 - 715	-38.0	-35.0	-35.0
	930 - 954	-58.0	-55.0	-55.0
<b>High Band Response (S13)</b>				
Passband Iloss	930 - 954	-1.50	-2.10	-2.30
Passband Ripple	930 - 954	0.65	1.00	1.20
Passband Return Loss @ Port 3	930 - 954	-15.5	-14.0	-14.0
Passband Return Loss @ Ant	930 - 954	-15.5	-14.0	-14.0
Attenuation	0.1 - 760	-38.0	-35.0	-35.0
	885 - 909	-58.0	-55.0	-55.0
<b>Isolation (S23)</b>				
Rejection @ Low Band	885 - 909	-63.0	-60.0	-60.0
Rejection @ Crossover	919.5	-46.0	-42.0	-42.0
Rejection @ High Band	930 - 954	-68.0	-65.0	-65.0
Max Power into any port		10 Watt		

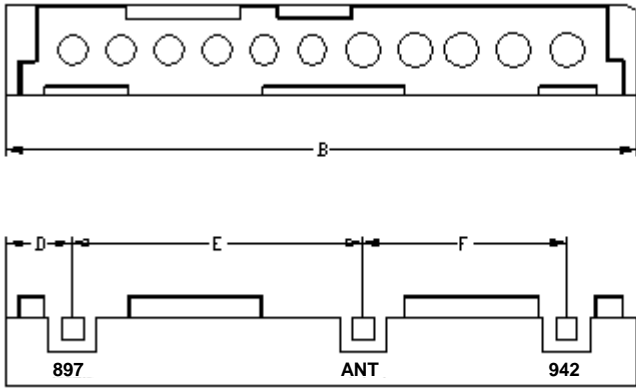
Note: Supplier shall test each filter to the critical electrical specifications of the above table. Any subsequent audits may deviate from in value due to measurement repeatability among different test systems. Such deviations shall not exceed the following limits:

Specification Allowance	
Insertion Loss	0.1 dB
Return Loss	1.0 dB
Stopbands	1.0 dB

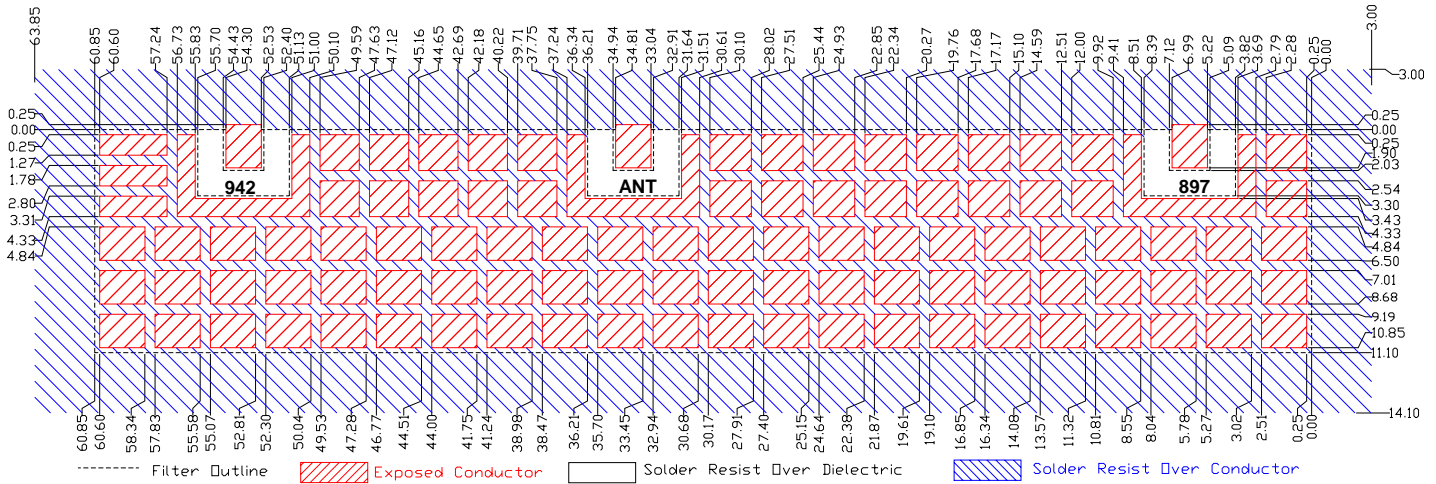
\*This product is covered by one or more of the following U.S. and foreign patents including: US 4,692,726;US 4,742,562; US 4,800,348;US 4,829,274;US 5,146,193;EP 0573597;DE 0573597;FR 0573597;JP 508149/92;KR 142171;US 5,162,760;US 5,218,329;US 5,250,916;US 5,327,109;US 5,488,335;CA 2114029;FR 9306297;GB 2273393;JP 3205337;KR 115113;CN 93106228.4;US 5,512,866;EP 0706719;DE 0706719;FR 0706719;GB 0706719;CN 95190359.4;US 5,602,518;US 5,721,520;US 5,745,018;EP 0910875;DE 0910875;DK 0910875;FR 0910875;GB 0910875;IE 0910875;JP 505182/98;KR 10-323013;US 5,994,978;US 6,462,629;CN 00810420.4;US 6,559,735;US 6,650,202;US 6,834,429. Other US and foreign patents pending.

### Mechanical Drawing

Rev B – Origin Date: December 3, 2007 – Revision Date: July 28, 2011

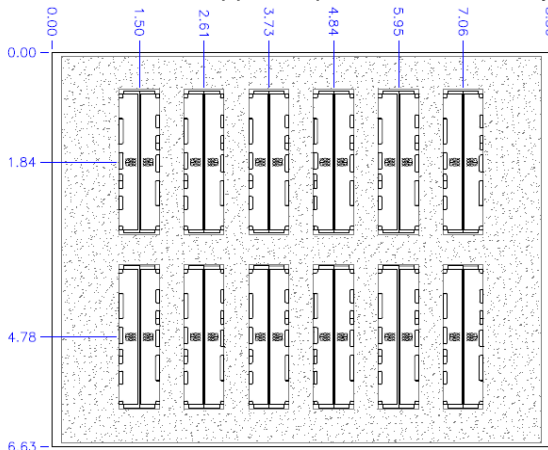


Dim	Nominal (mm)	Tolerance (mm) +/- or max
A		
B	60.85	max
C		
D	6.1	0.25
E	27.82	0.13
F	19.49	0.13
G	2.03	0.13
H	1.27	0.13
I	1.27	0.13
J	2.03	0.13
K	13.43	max
L	11.1	Max
M	8.0	max
N	2.2	0.13



### Packaging and Marking

Product is shipped in preformed foam trays



5 Trays containing 12 slots with 2 filters per slot. 5 Trays per box. Total 120 filters per box

Part Marking: CTS 574 YWW

### Electrical response

