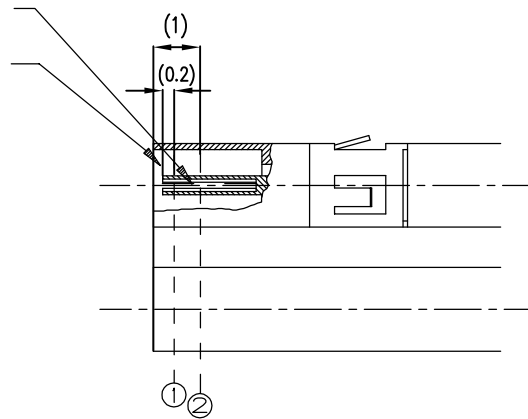
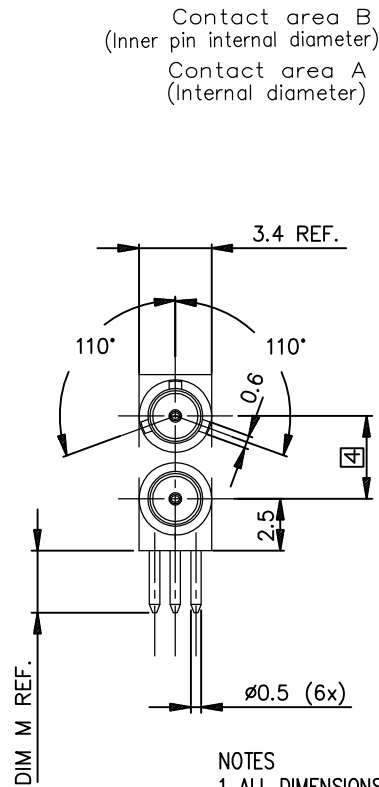
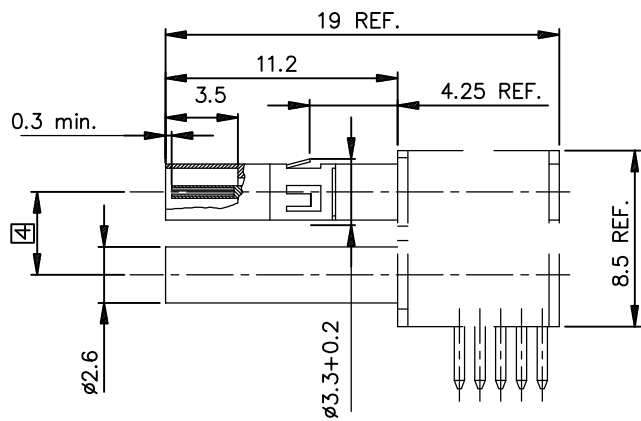
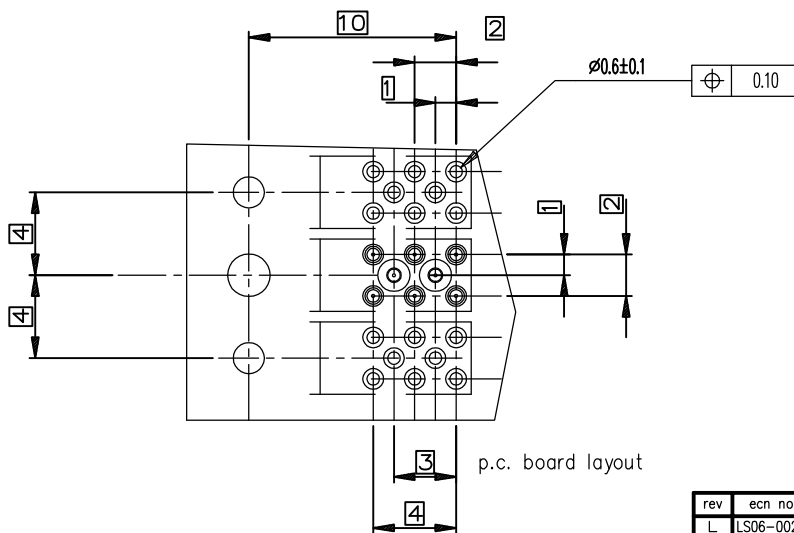


| LEAD FREE P/N | DIM M | PCB Thk. | REMARKS |
|---------------|-------|----------|------------------|
| 70239-001LF | 2.80 | 1.6mm | |
| 70239-002LF | 3.80 | 2.4mm | |
| 70239-003LF | 2.20 | 1.6mm | CUSTOMER SPECIAL |
| 70239-004LF | 2.92 | 1.6mm | CUSTOMER SPECIAL |



| | |
|----------------------------|-------------|
| 1.27µm Au Min.(See note 5) | |
| Area A | Position 2 |
| Area B | Positions 1 |

Plating on contact area



NOTES

- ALL DIMENSIONS ARE REFERENCE
- THIS PRODUCT WITH "LF" SUFFIX MEETS EUROPEAN UNION DIRECTIVES AS DESCRIBED ON GS-47-0004
- THE HOUSING WILL WITHSTAND EXPOSURE TO 260 DEGREE PEAK TEMPERATURE FOR 10 SECONDS IN A WAVE SOLDER APPLICATION WITH A MINIMUM CIRCUIT BOARD THICKNESS : 1.6mm
- PACKAGING SPEC: SEE GS-14-920
- RECOMMENDED MEASUREMENT DEVICE: X-RAY PER RECOMMENDED PRACTICE RP-GL-TERP-M-0232. MEASURED AREAS SHOULD NOT BE DAMAGED

European Views

| | | | | | |
|---------------------------------------|----------|------------------|------------------|------------|-------------|
| www.fciconnect.com | | surface | tolerance std | projection | mm |
| | | ISO 1302 | ISO 406 ISO 1101 | | |
| TOLERANCES UNLESS OTHERWISE SPECIFIED | | | | | |
| Dr | GOISNARD | 2006/03/04 | ANGULAR | 0.X ±0.1 | size A3 |
| Eng | GOISNARD | 2006/03/04 | LINEAR | 0.XX ±0.1 | Scale 4 |
| Chr | LEGARE | 2006/03/04 | 0.XX ±2 | 0.XXX ±0.1 | ECN B-17802 |
| Appr | LEGARE | 2006/03/04 | Product family | METRAL | Spec ref - |
| title | | R/A FEMALE 50ohm | | Rev. | |
| catalog no | | - | | 70239 | |
| MINI COAX | | - | | P | |
| CUSTOMER | | sheet 1 of 1 | | | |

| rev | ecm no | dr | date |
|-----|-----------|-----|------------|
| L | LS06-0022 | LGO | 2006/03/04 |
| M | LS07-0214 | LGO | 2007/08/20 |
| N | LS08-0057 | LGO | 2008/02/18 |
| P | B-17802 | APA | 2014/05/28 |
| - | - | - | - |
| - | - | - | - |
| - | - | - | - |



Copyright FCI.