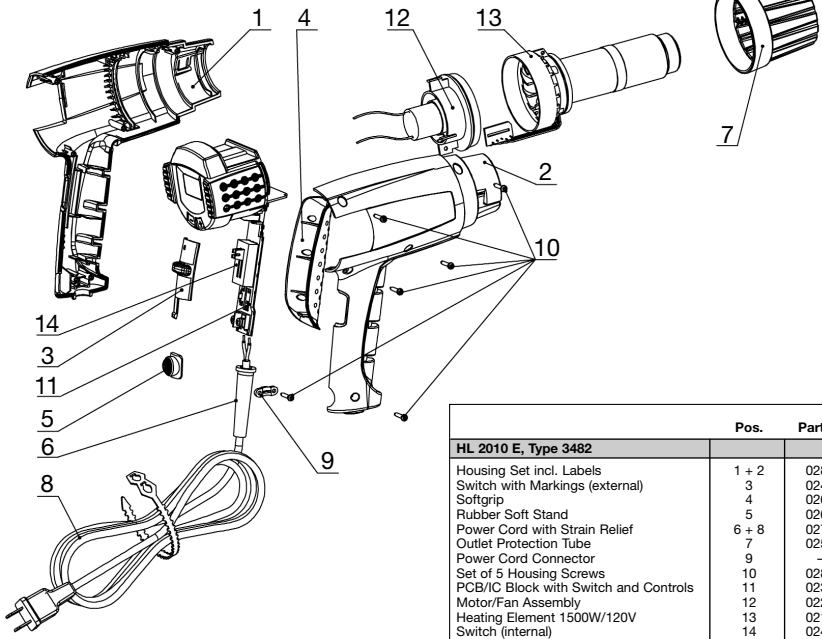


Spare Parts List HL 2010 E



	Pos.	Part No.
HL 2010 E, Type 3482		
Housing Set incl. Labels	1 + 2	02820
Switch with Markings (external)	3	02420
Softgrip	4	02621
Rubber Soft Stand	5	02629
Power Cord with Strain Relief	6 + 8	02723
Outlet Protection Tube	7	02523
Power Cord Connector	9	—
Set of 5 Housing Screws	10	02829
PCB/IC Block with Switch and Controls	11	02320
Motor/Fan Assembly	12	02225
Heating Element 1500W/120V	13	02120
Switch (internal)	14	02426

Wiring Diagram HL 2010 E

