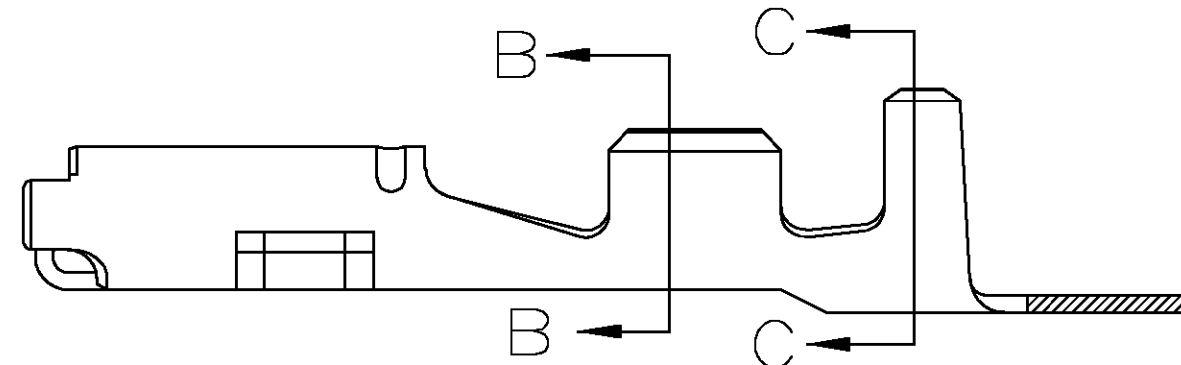
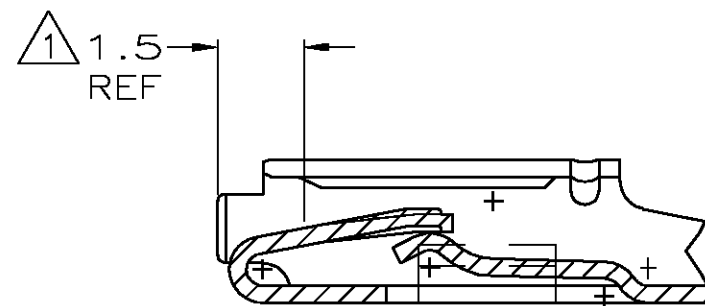
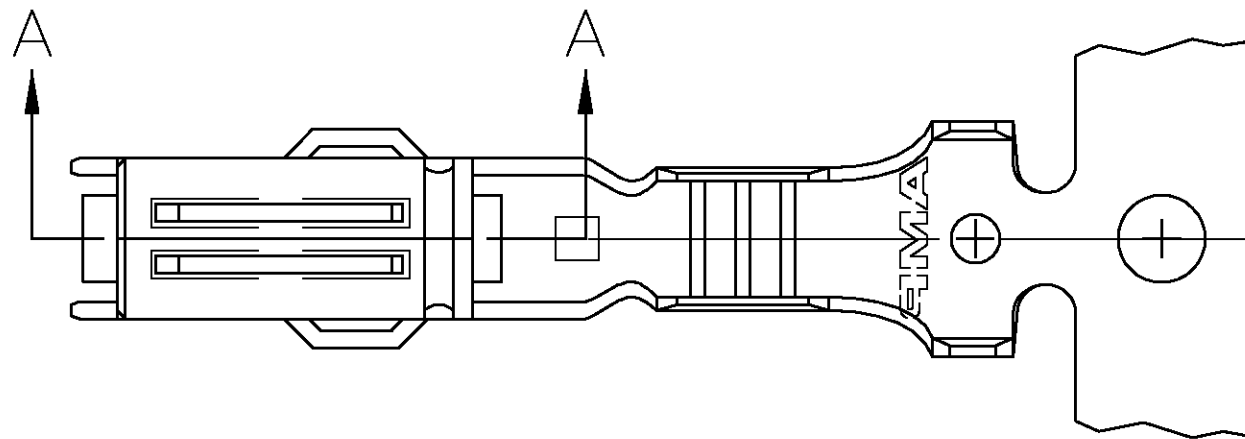
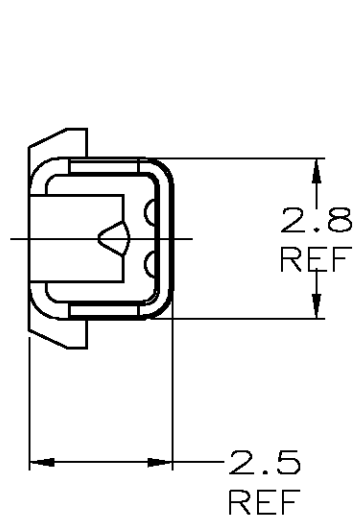


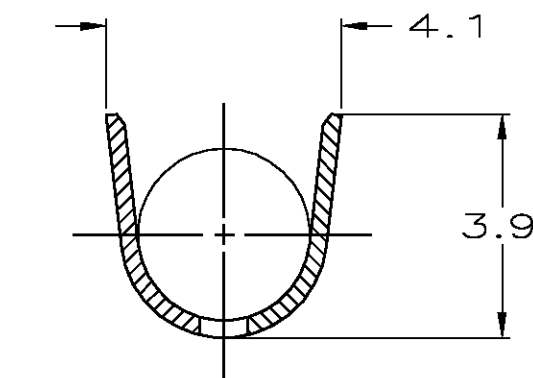
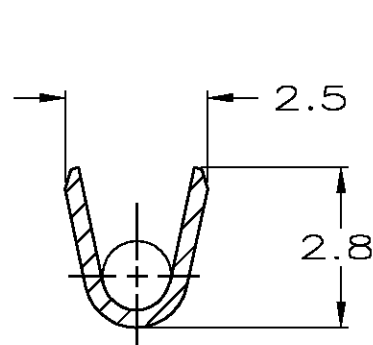
THIS DRAWING IS UNPUBLISHED. RELEASED FOR PUBLICATION
 © COPYRIGHT - BY TYCO ELECTRONICS CORPORATION. ALL RIGHTS RESERVED.

LOC	DIST	REVISIONS					
GE	00	P	LTR	DESCRIPTION	DATE	DWN	APVD
			A1	REDRAWN - EC 0K40-0364-03	07MAY03	JRB	KLC

▲ NYE FLUOROETHER GREASE



SECTION A-A
SCALE 8:1



SECTION B-B

SECTION C-C

TIN	1.2 - 2.1φ	AVS 0.3 - 1.0mm ² (#22 - #18 AWG)	184373-2
SELECT GOLD	1.2 - 2.1φ	AVS 0.3 - 1.0mm ² (#22 - #18 AWG)	184373-1
FINISH	INSULATION DIAMETER	WIRE RANGE	PART NUMBER

THIS DRAWING IS A CONTROLLED DOCUMENT.		DWN P. COLLINS 8-14-00	Tyco Electronics Corporation Harrisburg, PA 17105-3608	
DIMENSIONS: MM		CHK M. HUDDLESTON 8-14-00		
TOLERANCES UNLESS OTHERWISE SPECIFIED:		APVD M. HUDDLESTON 8-14-00	NAME CONTACT, RECEPTACLE, .070	
0 PLC ± -		PRODUCT SPEC -	SIZE A3	
1 PLC ± 0.3		APPLICATION SPEC -	CAGE CODE 00779	DRAWING NO 184373
2 PLC ± -		WEIGHT -	RESTRICTED TO -	
3 PLC ± -		CUSTOMER DRAWING	SCALE 8:1	SHEET 1 OF 1
4 PLC ± -				REV A1
ANGLES ± 2'				
MATERIAL PH BRZ (0.3 THK)				