

7 6 5 4 3 2 1

E

E

D

D

C

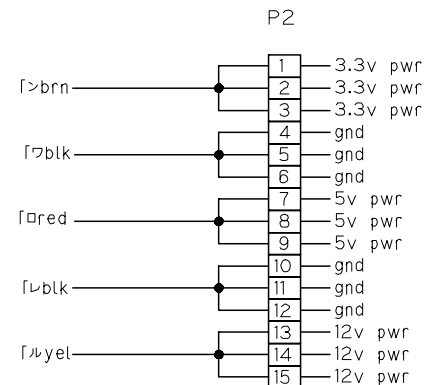
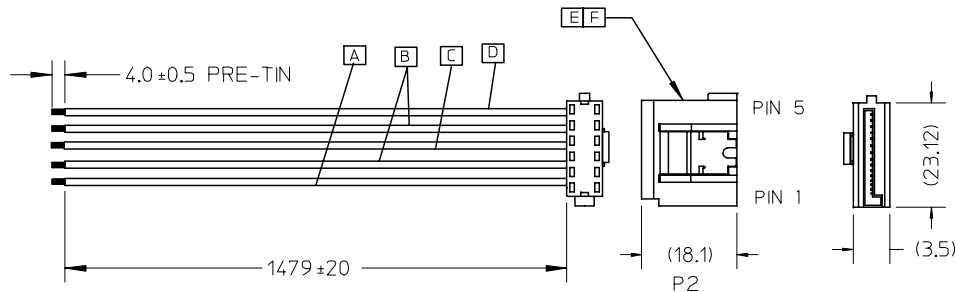
C

B

B

A

A



NOTE: 1. ELECTRIC PERFORMANCE:
 DIELECTRIC STRENGTH: 500 V DC.
 INSULATION RESISTANCE :100 MOHS MIN.
 CONDUCTIVE RESISTANCE :2 OHMS MAX.
 2. S-ATA HOUSING:
 PLOYESTER(PBT), UL94V-0(BLACK)

68561-0023	679260002	30u' Gold - plated terminal
68561-0022	679260001	Gold flash terminal
MATERIAL NO	S-ATA CONN.	DESCRIPTION

F	COVER 679260040	1	
E	S-ATA CONN. : SEE TABLE	1	
D	UL1007 #18 BRN 887711305	1	1485
C	UL1007 #18 RED 887711301	1	1485
B	UL1007 #18 BLK 887711300	2	2970
A	UL1007 #18 YEL 887711303	1	1485
ITEM	DESCRIPTION	QTY	L(mm)

ENTER DESCRIPTION EC NO: DG2005-0009 DRWN:GX YANG CHKD: APPR:BOCHEN 2004/08/11 2004/08/18 2004/08/18	QUALITY SYMBOLS ▽=0 ◻=0	GENERAL TOLERANCES (UNLESS SPECIFIED)		DIMENSION STYLE MM ONLY		SCALE ---	DESIGN UNITS METRIC	THIRD ANGLE PROJECTION	
			mm	INCH	DRAWN BY GX YANG	DATE 04/08/10	TITLE S-ATA IDT POWER LATCHING TO PIGTAIL CABLE ASS'Y 1.5M (3.3V+5V+12V)		
		4 PLACES	±---	±---	CHECKED BY TEDDY	DATE 04/08/10	MOLEX INCORPORATED		
		3 PLACES	±---	±---	APPROVED BY BORON	DATE 04/08/10	MATERIAL NO. 685610022/3		
			2 PLACES	±---	±---	DOCUMENT NO. SD-68561-005		SHEET NO. 1 OF 1	
			1 PLACE	±---	±---	THIS DRAWING CONTAINS INFORMATION THAT IS PROPRIETARY TO MOLEX INCORPORATED AND SHOULD NOT BE USED WITHOUT WRITTEN PERMISSION			
			ANGULAR ±---°						
DRAFT WHERE APPLICABLE MUST REMAIN WITHIN DIMENSIONS									

6

5

4

3

2

1