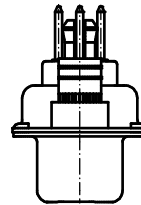
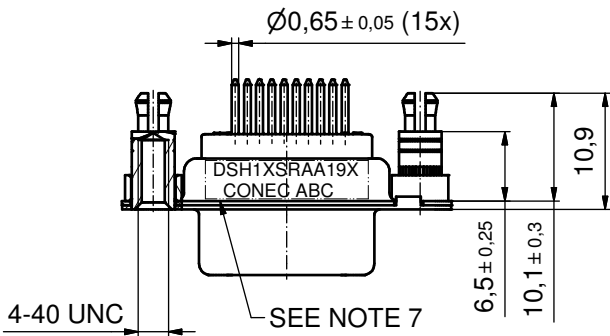
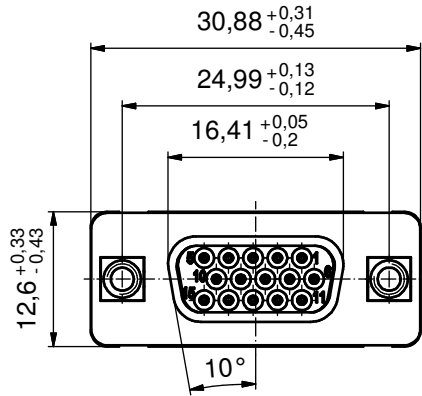
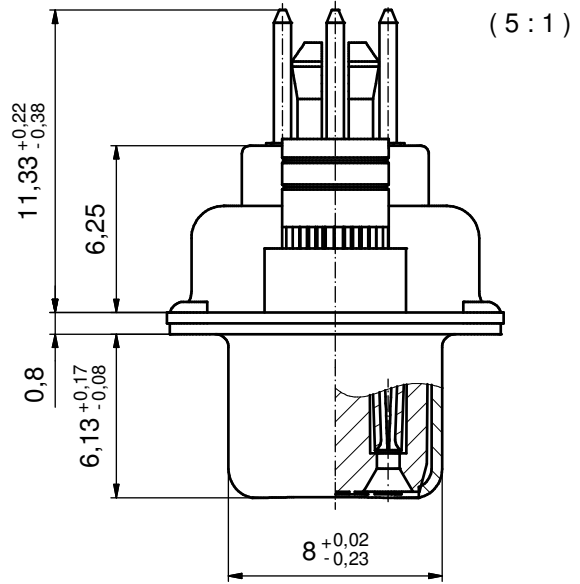
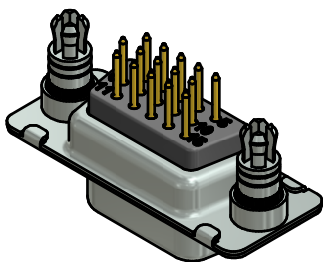


P.C.B. HOLE DRILLINGS
(P.C.B. TOP SIDE)



NOTES:

- METALSHELLS: STEEL; min. 315µm TIN over 40-80µm NICKEL
- INSULATORS: PBT GF UL 94 V-0; BLACK
- CONTACTS: COPPER ALLOY
PLATING: GOLD FLASH over NICKEL
- THREADED SPACER CLIPS: COPPER ALLOY; min. 200µm TIN over 80µm NICKEL
PCB-HOLE: $\varnothing 3,1 \pm 0,1$; PCB THICKNESS 2,3mm
- COLLARS: COPPER ALLOY; min. 200µm TIN over 80µm NICKEL
- MAXIMUM TORQUE VALUE FOR THREAD: 6 in.LB
- CONNECTOR IS PART MARKED: DSH1XSRAA19X CONEC ABC



Directive 2002/95/EC
„RoHS“
Compliant

THIS DRAWING MAY NOT BE COPIED OR REPRODUCED IN ANY WAY, AND MAY NOT BE PASSED ON TO A THIRD PARTY WITHOUT WRITTEN PERMISSION. OWNERSHIP AND COPYRIGHT OF CONEC GmbH DO NOT ALTER CAD DRAWING BY HAND	tolerance		ISO 2768-m		 dim. in mm	scale:		2:1 (5:1)		
	material:		SEE NOTES			title:		D-SUB HD FEMALE		
	date		name		drawn		23.11.10		Henneboel	
	appd.		23.11.10		Koch		appd.		23.11.10	
	norm				d-old		dwg no:		Inventor 10	
	a		Origin		CONEC®		16K1A2742		DIN-A3	
	rev.		description		date		name		sh: 1	
	part no:		DSH1XSRAA19X							