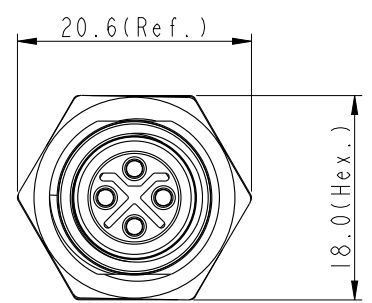
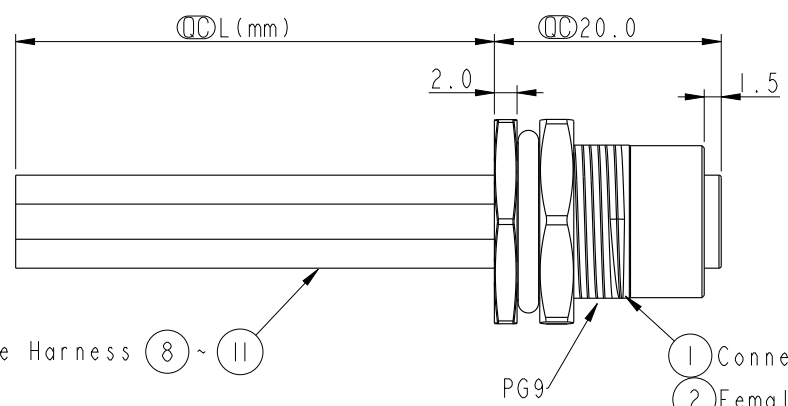
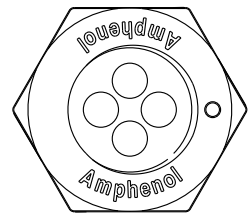


THIS DOCUMENT IS SUBJECT TO CHANGE WITHOUT NOTICE. IT IS CONFIDENTIAL AND A PROPERTY OF Amphenol LTW. DISCLOSURE TO THIRD PARTY HAS TO BE AUTHORIZED BY Amphenol LTW.

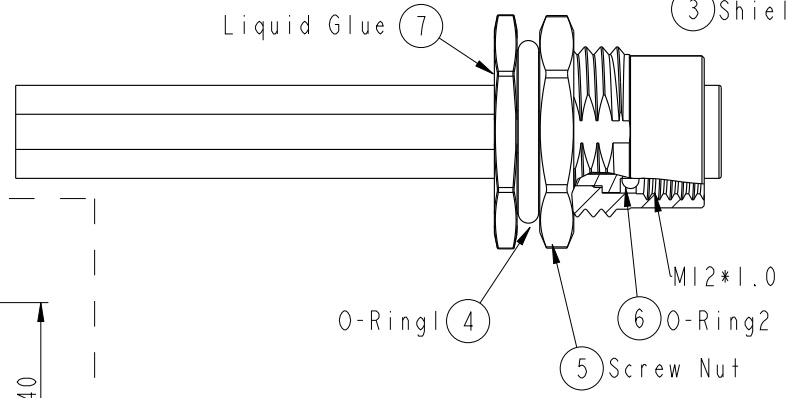
REV.	ECN NO.	DATE	SIGN	DESCRIPTION
A	Initial Release	2015/03/04	Cary	Change Rev. 01 to Rev.A

ALTW
CONFIDENTIAL
 2015-03-04
R&D DEPT.



Wire Harness ⑧ ~ ⑪

PG9
 ① Connector
 ② Female Pin
 ③ Shield

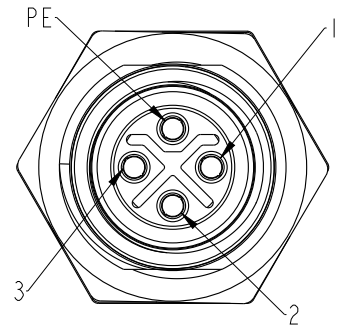


ALTW
 DCC. DEPT.
 CONFIDENTIAL
 2015.04.27
ISSUED

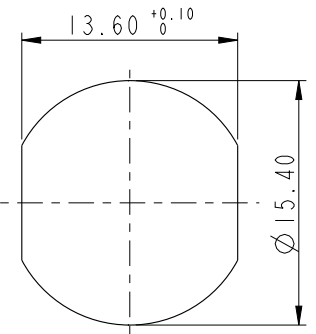
M12S-04PFFS-SF8BXX

XX: 150~1500mm
 15: 150mm
 30: 300mm
 50: 500mm
 A0: 1000mm
 A5: 1500mm
 Wire Length(L): 150~1500mm

- Note:
- * Ⓞ Important Dimension.
 - * Waterproof Rate: IP68.
 - * IP68: 1M Depth Of Water In 24hours.
 - * Housing: PA66, UL94V-0, Black.
 - * Female Pin: Copper Alloy, Gold Plated.
 - * Shield: Zinc Alloy, Nickel Plated.
 - * Panel Nut: Zinc Alloy, Nickel Plated.
 - * O-Ring1: Viton, Black.
 - * O-Ring2: Viton, Green.
 - * Wire Harness: UL1015 16AWG (1.5mm²).
 - * Rated Voltage: 630V AC.
 - * Rated Current at 40°C: 12A.
 - * Operation Temperature: -40~85°C.
 - * For Panel Thickness Max 4.5mm.
 - * Nut Torque: 4~6 Kgf-cm (0.4~0.6N.m).
 - * Wire harness Tolerance: 150~300 ±15mm
 301~1000 ±20mm
 Over1000 ±40mm



Pin Assignment
 Front View



Recommended
 Panel Cut-Out

PE	Black	黑
3	Blue	藍
2	White	白
1	Brown	棕
Conn.	Wire Color	
	Pin Out	

UNIT: mm

TOLERANCE	
.X	±0.25
.XX	±0.1
.XXX	±0.05
ANGLES	±1°

TITLE M12 S-Code 4Pin Female Type			
SCALE	2:1	SIZE	A4
SHEET	1	OF	1
REV.	A	WC-REV.	A.3
Ⓞ: Inspection item			

Amphenol LTW
 安費諾亮泰企業股份有限公司

ITEM NO.	DRAWN BY	DATE
M12S-04PFFS-SF8BXX	Cary	2015-03-04
CUSTOMER	CHECKED BY	DATE
ALTW	Yu Long	2015-03-04
	APPROVED BY	DATE
	Jerry	2015-03-04