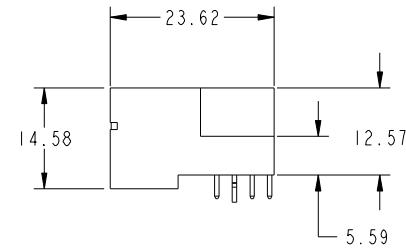
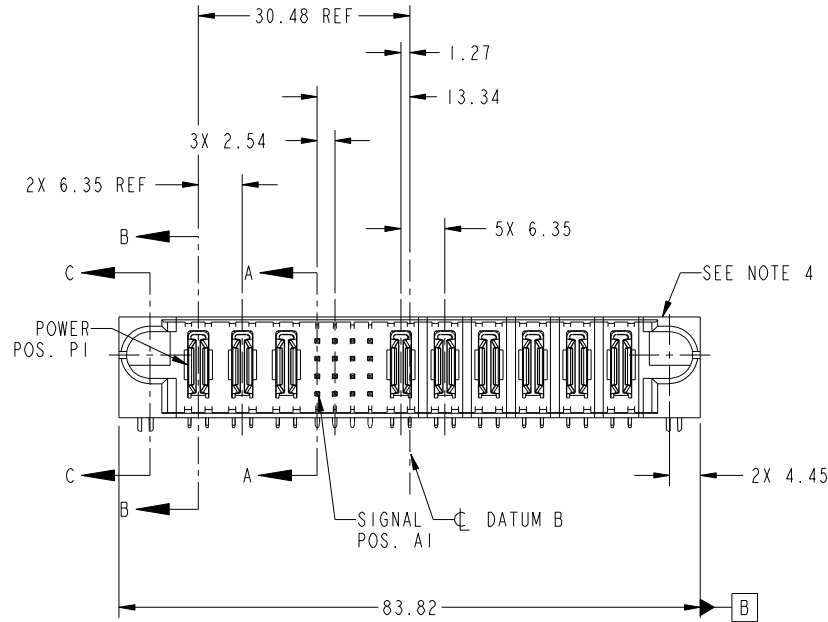


Tous droits strictement réservés. Reproduction ou communication a des tiers interdite sous quelque forme que ce soit sans autorisation écrite du propriétaire. Propriété de c FCI. Droits de reproduction FCI.

All rights strictly reserved. Reproduction or issue to third parties in any form whatever is not permitted without written authority from the proprietor. Property of FCI. Copyright FCI.



PRODUCT NO. 51730-150-- NOTE 3	ROWS D C B A	POWER			SIGNAL				POWER					E2
		E1	P1	P2	P3	1	2	3	4	P4	P5	P6	P7	



CODE	DIM "M" MATING LENGTH	CONTACT TYPE
U	[6.86]	SIGNAL
T	[6.86]	SIGNAL
S	[6.86]	SIGNAL
R	[6.86]	SIGNAL
PA	[N/A]	POWER
HA	[N/A]	HOLD-DOWN
E	[5.59]	SIGNAL

mat'l code				SEE NOTE		tolerances unless otherwise specified		CUSTOMER		FCI	
ltr	ecn no.	dr	date	linear	0.X ±0.3	projection		COPY		www.fciconnect.com	
A	DG08-0209	JW	07/30/08	angles	0.XX ±0.13	MIM		title		3P + 16S + 6P RIGHT ANGLE SOLDER HEADER	
					0.XXX ±0.051	scale		product family		PwrBlade code	
				dr	0° ±2°	1:1		size		213	
				enr	JULIA WANG 07/30/08			dwg no		51730-150 sheet	
				chr	JEROME CHEN 07/30/08			A		1 of 4	
				appd	GARY HSIEH 07/30/08						
					JOSEPH HSIA 07/30/08						
sheet index	revision sheet	A	A	A	A						
		1	2	3	4						

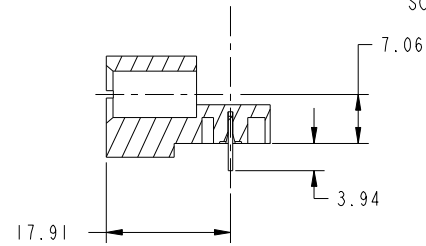
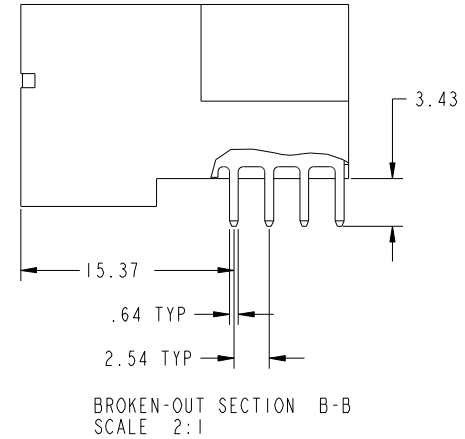
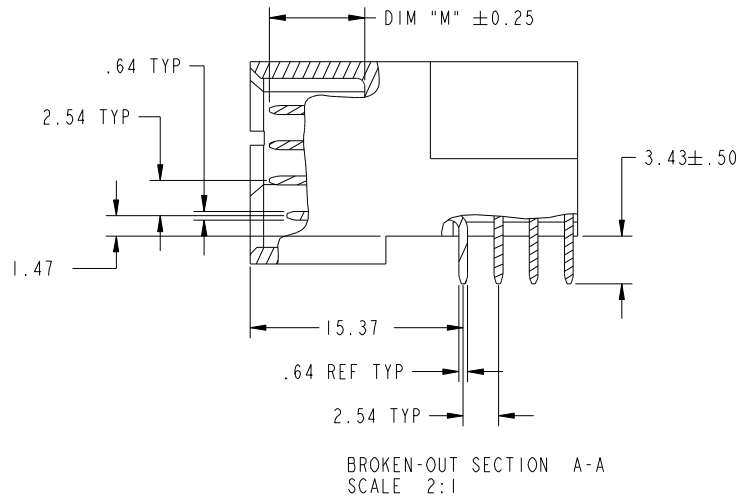
cage code 22526

Tous droits strictement reserves. Reproduction ou communication a des tiers interdite sous quelque forme que ce soit sans autorisation écrite du propriétaire. Propriete de c FCI. Droits de reproduction FCI.

All rights strictly reserved. Reproduction or issue to third parties in any form whatever is not permitted without written authority from the proprietor. Property of FCI. Copyright FCI.



PRODUCT NUMBER
51730-150-
NOTE: 3



mat'l code		SEE NOTE		tolerances unless otherwise specified		CUSTOMER		FCI	
ltr	ecn no.	dr	date	linear	0.X ±0.3	COPY		www.fciconnect.com	
A					0.XX ±0.13	projection		title	
				angles	0.XXX ±0.051			3P + 16S + 6P RIGHT ANGLE SOLDER HEADER	
				dr	0° ±2°			product family PwrBlade code	
				enr	JULIA WANG 07/30/08	scale		size	
				chr	JEROME CHEN 07/30/08	1:1		dwg no	
				appd	GARY HSIEH 07/30/08			51730-150	
					JOSEPH HSIA 07/30/08			sheet	
sheet index	revision sheet							2 of 4	

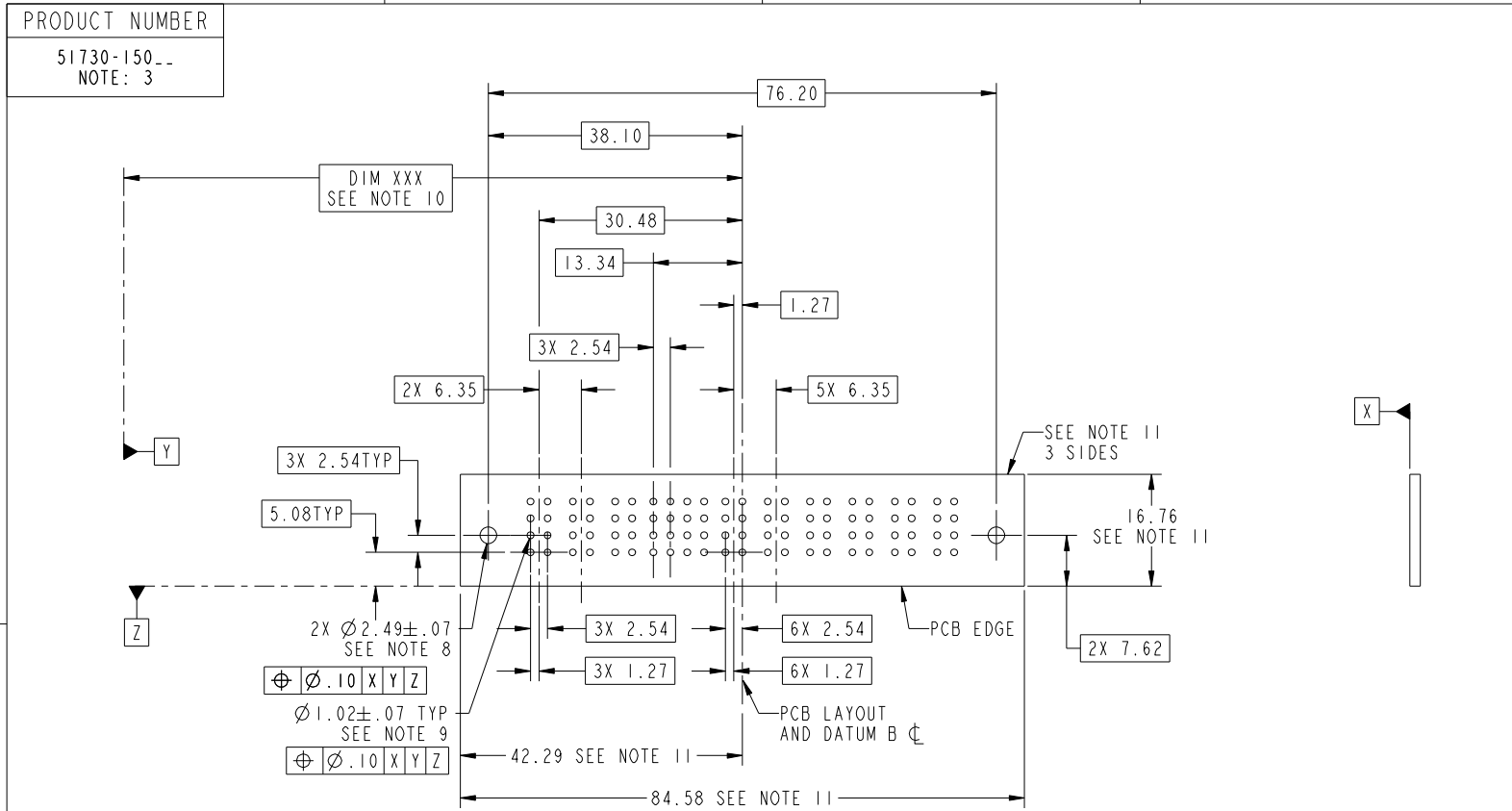
cage code 22526

Pro/E

Tous droits strictement reserves. Reproduction ou communication a des tiers interdite sous quelque forme que ce soit sans autorisation écrite du propriétaire. Propriete de c FCI. Droits de reproduction FCI.



All rights strictly reserved. Reproduction or issue to third parties in any form whatever is not permitted without written authority from the proprietor. Property of FCI. Copyright FCI.



RECOMMENDED PCB LAYOUT

mat'l code				SEE NOTE		tolerances unless otherwise specified		CUSTOMER		FCI	
ltr	ecn no.	dr	date	linear	0.X ± 0.3	COPY		www.fciconnect.com		title	
A					0.XX ± 0.13	projection		3P + 16S + 6P		RIGHT ANGLE SOLDER HEADER	
				angles	0.XXX ± 0.051	MIM		product family		PwrBlade	code
				dr	JULIA WANG 07/30/08	scale		size		dwg no	213
				enr	JEROME CHEN 07/30/08	1:1		A		51730-150	sheet
				chr	GARY HSIEH 07/30/08						3 of 4
				appd	JOSEPH HSIA 07/30/08						
sheet index	revision sheet										

cage code 22526

Pro/E

Tous droits strictement reserves. Reproduction ou communication a des tiers interdite sous quelque forme que ce soit sans autorisation écrite du propriétaire. Propriete de c FCI. Droits de reproduction FCI.



All rights strictly reserved. Reproduction or issue to third parties in any form whatever is not permitted without written authority from the proprietor. Property of FCI. Copyright FCI.

PRODUCT NUMBER
51730-150--
NOTE: 3

NOTES:

1. DIMENSIONS AND TOLERANCES ARE IN ACCORDANCE WITH ASME Y14.5M, 1994 UNLESS OTHERWISE SPECIFIED.

CONNECTOR NOTES:

- 2. HOUSING MATERIAL: UL 94 V-0 GLASS FILLED
HIGH-TEMP THERMOPLASTIC
POWER CONTACT MATERIAL: COPPER ALLOY
SIGNAL PIN MATERIAL: COPPER ALLOY
- 3. 51730-150; 51730-150LF PLATING SPEC. SEE PRINT:10064183
- 4. MANUFACTURER'S NAME, P/N, AND DATE CODE TO APPEAR ON THIS SURFACE.
- 5. PRODUCT SPECIFICATION GS-12-149.
APPLICATION SPECIFICATION BUS-20-067.
- 6. PACKAGED IN TRAYS.

PCB NOTES:

- 7. ALL HOLE DIAMETERS ARE FINISHED HOLE SIZE.
- 8. MOUNTING HOLES, WHERE APPLICABLE, ARE UNPLATED.
- 9. $\varnothing 1.151 \pm 0.025$ DRILLED HOLES PLATED WITH
0.008 MIN SnPb OR Sn OVER 0.03
TO 0.08 Cu PLATING TO ACHIEVE
 $\varnothing 1.02 \pm .07$ HOLE.
- 10. "DIM XXX" TO BE DETERMINED BY THE CUSTOMER.
- 11. CONNECTOR KEEP-OUT ZONE.

mat'l code				SEE NOTE	tolerances unless otherwise specified	CUSTOMER	FCI www.fciconnect.com	
ltr	ecn no.	dr	date	linear	0.X ± 0.3	COPY	title	
A					0.XX ± 0.13	projection	3P + 16S + 6P RIGHT ANGLE SOLDER HEADER	
				angles	0.XXX ± 0.051		product family PwrBlade code	
				dr	0° ± 2°	MIM	size	213
				enr	JULIA WANG 07/30/08	scale	dwg no	sheet
				chr	JEROME CHEN 07/30/08	1:1	A	4 of 4
				appd	GARY HSIEH 07/30/08		51730-150	
					JOSEPH HSIA 07/30/08		4 of 4	
sheet index	revision sheet							

cage code 22526

Pro/E