

MATERIALS AND FINISHES

BODY ZINC ALLOY
PLATED NICKEL

CENTER CONTACT PHOSPHOR BRONZE
PLATED GOLD

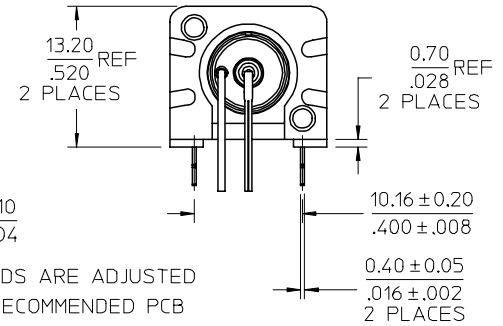
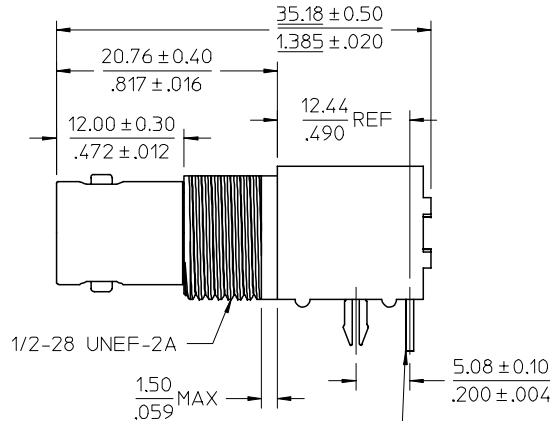
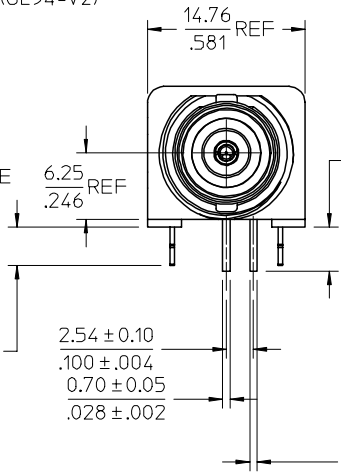
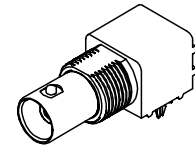
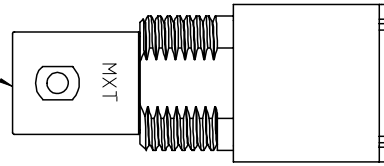
INSULATOR POLYPROPYLENE (UL94-V2)

HOUSING P.B.T.
COLOR WHITE

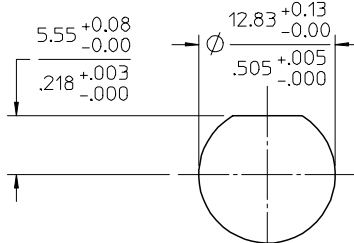
SOLDER TAIL
COPPER COVERED STEEL WIRE
PLATED TIN

BOARD LOCK CLIP
PHOSPHOR BRONZE
PLATED TIN

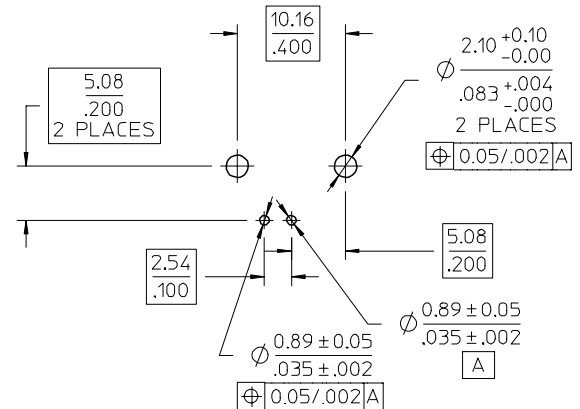
BNC JACK
INTERFACE



THE LEADS ARE ADJUSTED
TO FIT RECOMMENDED PCB
PATTERN DURING INSTALLATION



RECOMMENDED MOUNTING HOLE
RECOMMENDED MOUNTING
TORQUE: 0.56 N-m(5.0 IN-LBS)
PANEL THICKNESS: 5.5(.217) MAX



RECOMMENDED PCB LAYOUT

73171-3040	73100-0131, ONE PER BAG
73100-0131	TRAY PACK
PART NO.	PACKAGING

ES-73599-0000	INTERFACE
PS-73598-0050	ELECTRO/MECH PERFORM
SPECIFICATION	DESCRIPTION

CHG: REDREW IN SD ADDED P/N 73171-3070	FC NO: URF2007-0396	DRAWN: FLAHERTY 2007/05/07	CHKD: SHAH 2007/05/07	APPR: JIMENER 2007/05/07	DESCRIPTION	QUALITY SYMBOLS =0 =0	GENERAL TOLERANCES (UNLESS SPECIFIED)		DIMENSION STYLE MM/IN		SCALE	DESIGN UNITS METRIC	THIRD ANGLE PROJECTION
							4 PLACES ± --- ± ---	3 PLACES ± --- ± ---	2 PLACES ± --- ± ---	1 PLACE ± --- ± ---	ANGULAR ± --- °	DRAWN BY KELLY	DATE 1994/01/14
DRAFT WHERE APPLICABLE MUST REMAIN WITHIN DIMENSIONS							SEE TABLE		MATERIAL NO.		DOCUMENT NO. SD-73100-0131		SHEET NO. 1 OF 1
THIS DRAWING CONTAINS INFORMATION THAT IS PROPRIETARY TO MOLEX INCORPORATED AND SHOULD NOT BE USED WITHOUT WRITTEN PERMISSION													