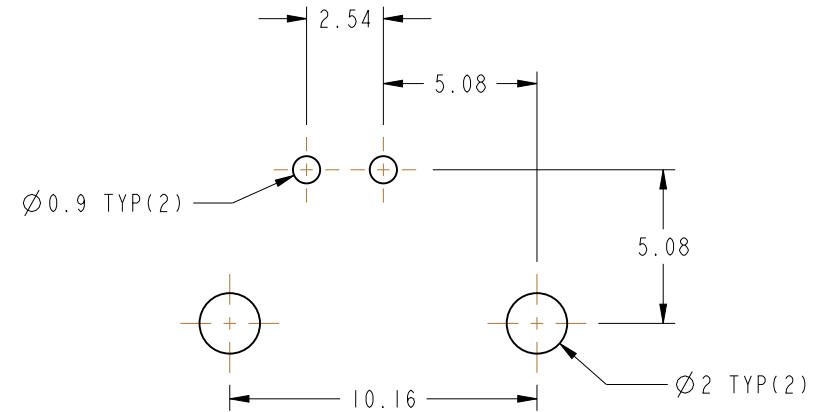


NOTES:

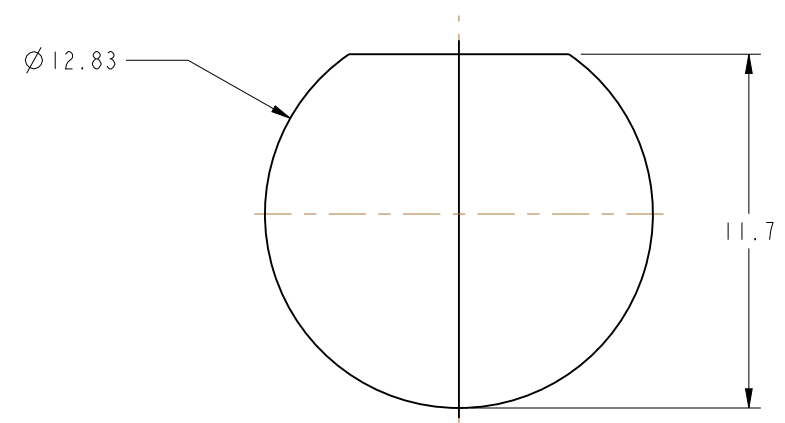
- MATERIALS AND FINISHES:
 BODY - ZINC ALLOY, NICKEL PLATING
 CONTACT - PHOPHOR BRONZE, GOLD PLATING (.000003 THICK)
 @CONTACT AREA ONLY, TIN PLATING AT TAIL, NICKEL PLATED OVERALL
 INSULATOR - POLYPROPYLENE
 HOUSING- PBT, BLACK, 15% G.F.
 GROUNDING TERMINAL-STEEL, TIN PLATING
 ROUND PIN-BRASS, TIN PLATING
- ELECTRICAL:
 A. IMPEDANCE: 50 OHM
 B. FREQUENCY RANGE: DC - 1GHz
 C. DIELECTRIC WITHSTANDING VOLTAGE: 1500 VRMS, MIN.
- MECHANICAL:
 A. DURABILITY: 500 CYCLES MIN.
 B. TEMPERATURE RANGE: -55° C TO 85° C
- PACKAGING:
 A. PACKAGED IN PACKING TRAY
 B. QUANTITY PER TRAY: 40

THIRD ANGLE PROJ.

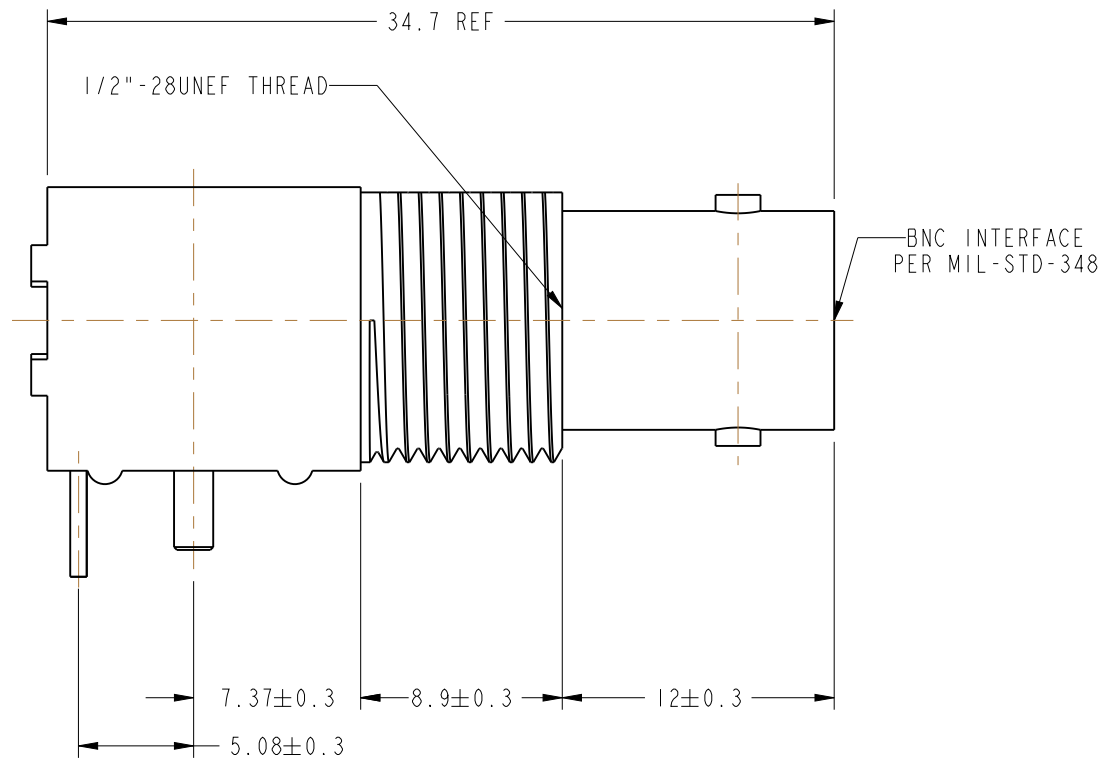
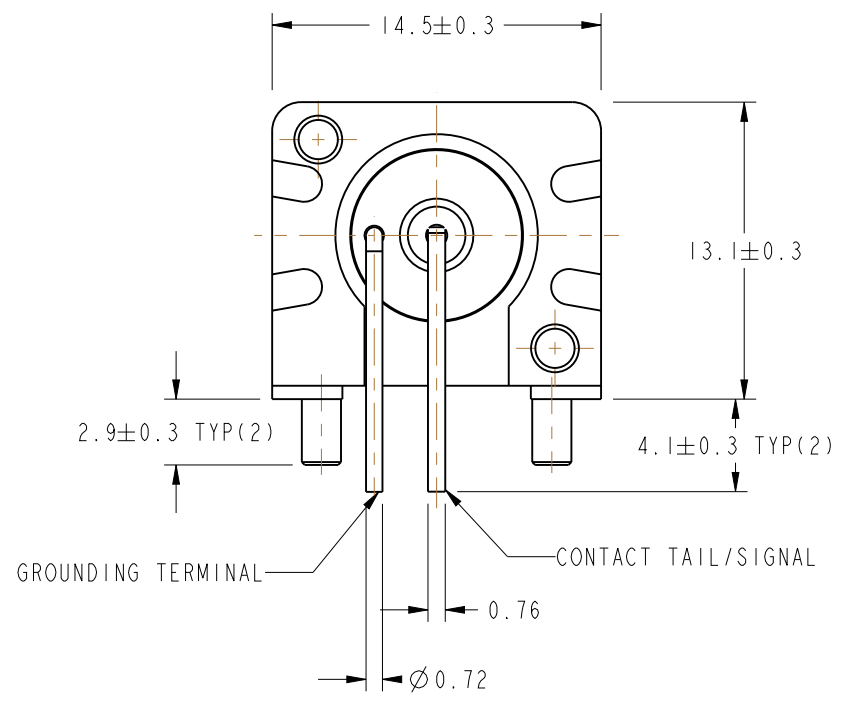
| REVISIONS | | | | |
|-----------|--|-----------|-------|------|
| REV | DESCRIPTION | DATE | ECO | APPR |
| A | RELEASE TO MFG | 4/12/91 | 38057 | DR |
| E | SEE SHEET I | 10/11/96 | 41588 | CPM |
| F | SEE SHEET I | 2/3/05 | 45257 | CPM |
| G | UPDATED FORMAT AND NOMINAL ENVELOPE DIMENSIONS | 7/26/12 | 49146 | CW |
| H | SYNCH THE DRAWING WITH ARFA | 15-Aug-12 | 49198 | SH |



RECOMMENDED PCB LAYOUT



RECOMMENDED PANEL CUTOUT



CUSTOMER OUTLINE DRAWING
 ALL OTHER SHEETS ARE FOR INTERNAL USE ONLY

| | | | | | | | |
|---|-----------|----------|-----------|--|------------------|-----------------------------------|--|
| UNLESS OTHERWISE SPECIFIED, DIMENSIONS ARE IN METRIC AND TOLERANCES ARE: <0.5mm ±0.05mm 0.5 - 6mm ±0.1mm 6 - 30mm ±0.2mm 30 - 120mm ±0.3mm ANGLES ±1° NOTICE - These drawings, specifications, or other data (1) are, and remain the property of Amphenol corp. (2) must be returned upon request; and (3) are confidential and not to be disclosed to any person other than those to whom they are given by Amphenol Corp. the finishing of these drawings, specifications, or other data by Amphenol Corp., or to any other person to anyone for any purpose is not to be regarded by implication or otherwise in any manner licensing, granting rights to permitting such holder or any other sperson to manufacture, use or sell any product, process or design, patented or otherwise, that may in any way be related to or disclosed by said drawings, specifications, or other data. | MATERIAL | DRAWN | DATE | TITLE BNC JACK, 50 OHM LOW-PROFILE PCB RECEPTACLE, BLACK RIGHT ANGLE MOUNT | | Amphenol RF www.amphenolrf.com | |
| | SEE NOTES | S.LI | 15-Aug-12 | | | | |
| | REFERENCE | APPROVED | DATE | SCALE: 3.0:1.0 | | DRAWING NO. 31-5540 | |
| | FINISH | S.HSIEH | 15-Aug-12 | SHEET 1 OF 2 | | ITEM NO. 31-5540 | |
| | | CAD FILE | DWG SIZE | REV | PART NO. 31-5540 | | |
| | | | B | H | | | |