

4

3

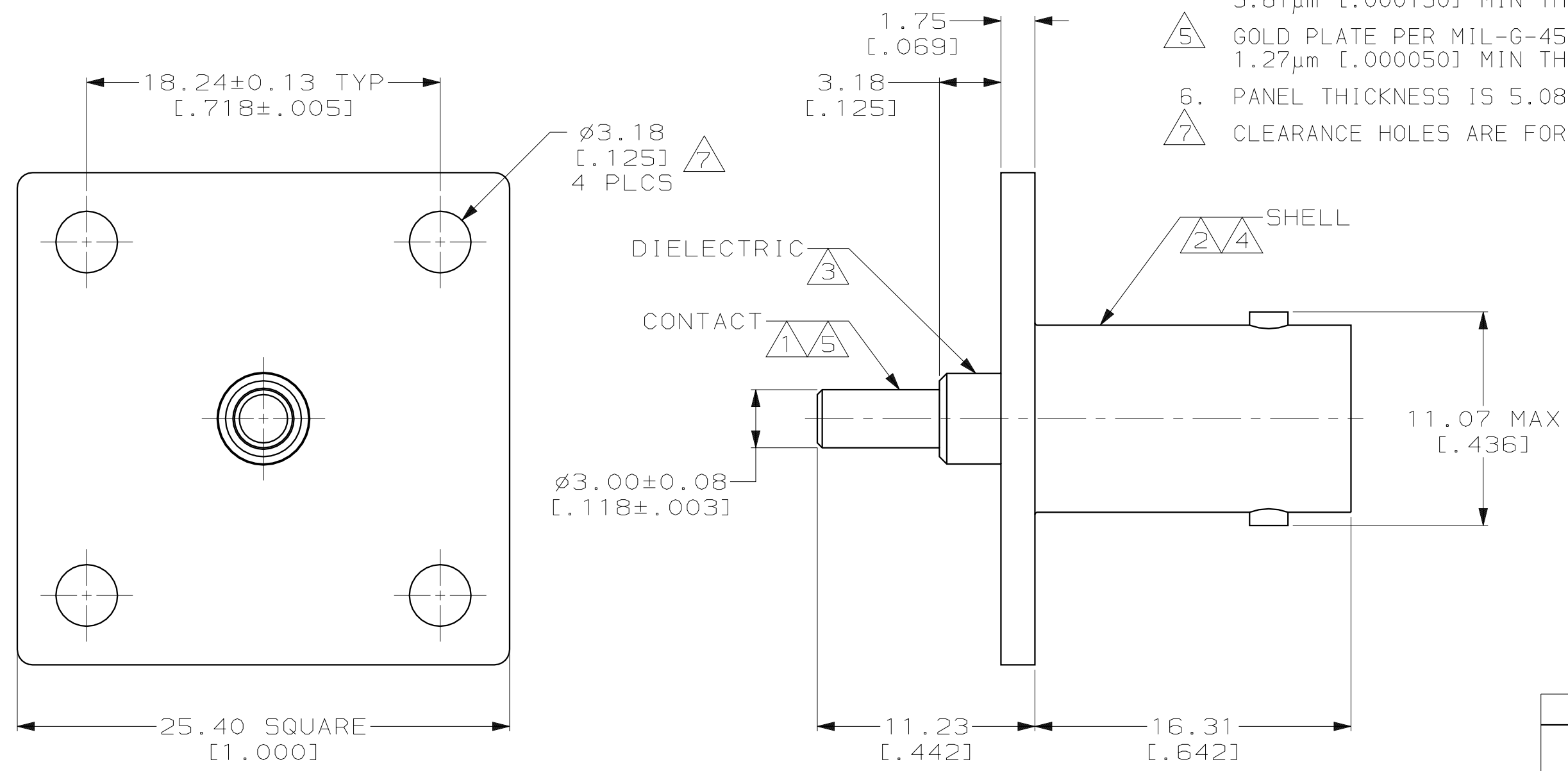
2

1

THIS DRAWING IS UNPUBLISHED. RELEASED FOR PUBLICATION ,19 .
 © COPYRIGHT 19 BY AMP INCORPORATED. ALL RIGHTS RESERVED.

LOC	DIST	REVISIONS			
P	LTR	DESCRIPTION	DATE	DWN	APVD
	0	RELEASE PER 96-3137-022-001	11FEB97	MC	FM

- ① BERYLLIUM COPPER PER ASTM-B-196
- ② BRASS PER ASTM-B-36
- ③ PTFE PER MIL-P-19468
- ④ NICKEL PLATE PER QQ-N-290, 3.81µm [.000150] MIN THICKNESS
- ⑤ GOLD PLATE PER MIL-G-45204, 1.27µm [.000050] MIN THICKNESS
- 6. PANEL THICKNESS IS 5.08 [.200] MAXIMUM
- ⑦ CLEARANCE HOLES ARE FOR #4 SCREWS



415775-1
 PART NUMBER

THIS DRAWING IS A CONTROLLED DOCUMENT.		DWN MICHAEL E. COWHER 06FEB97	AMP AMP Incorporated Harrisburg, PA 17105-3608												
DIMENSIONS: mm [INCHES]		CHK FRANK P. MORANA 06FEB97													
TOLERANCES UNLESS OTHERWISE SPECIFIED:		APVD FRANK P. MORANA 06FEB97	NAME JACK, PANEL MOUNT, 75 OHM, SOLDER, BNC												
<table border="0"> <tr><td>0 PLC</td><td>±-</td></tr> <tr><td>1 PLC</td><td>±-</td></tr> <tr><td>2 PLC</td><td>±0.25 [.010]</td></tr> <tr><td>3 PLC</td><td>±-</td></tr> <tr><td>4 PLC</td><td>±-</td></tr> <tr><td>ANGLES</td><td>±-</td></tr> </table>		0 PLC	±-	1 PLC	±-	2 PLC	±0.25 [.010]	3 PLC	±-	4 PLC	±-	ANGLES	±-	PRODUCT SPEC -	SIZE A3
0 PLC	±-														
1 PLC	±-														
2 PLC	±0.25 [.010]														
3 PLC	±-														
4 PLC	±-														
ANGLES	±-														
MATERIAL SEE NOTES		APPLICATION SPEC -	CAGE CODE 00779												
FINISH SEE NOTES		WEIGHT -	DRAWING NO C-415775												
		CUSTOMER DRAWING	SCALE 4:1 SHEET 1 OF 1 REV 1												