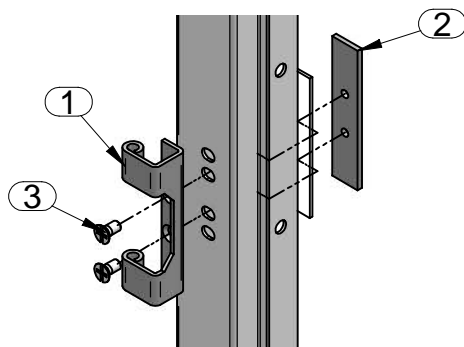
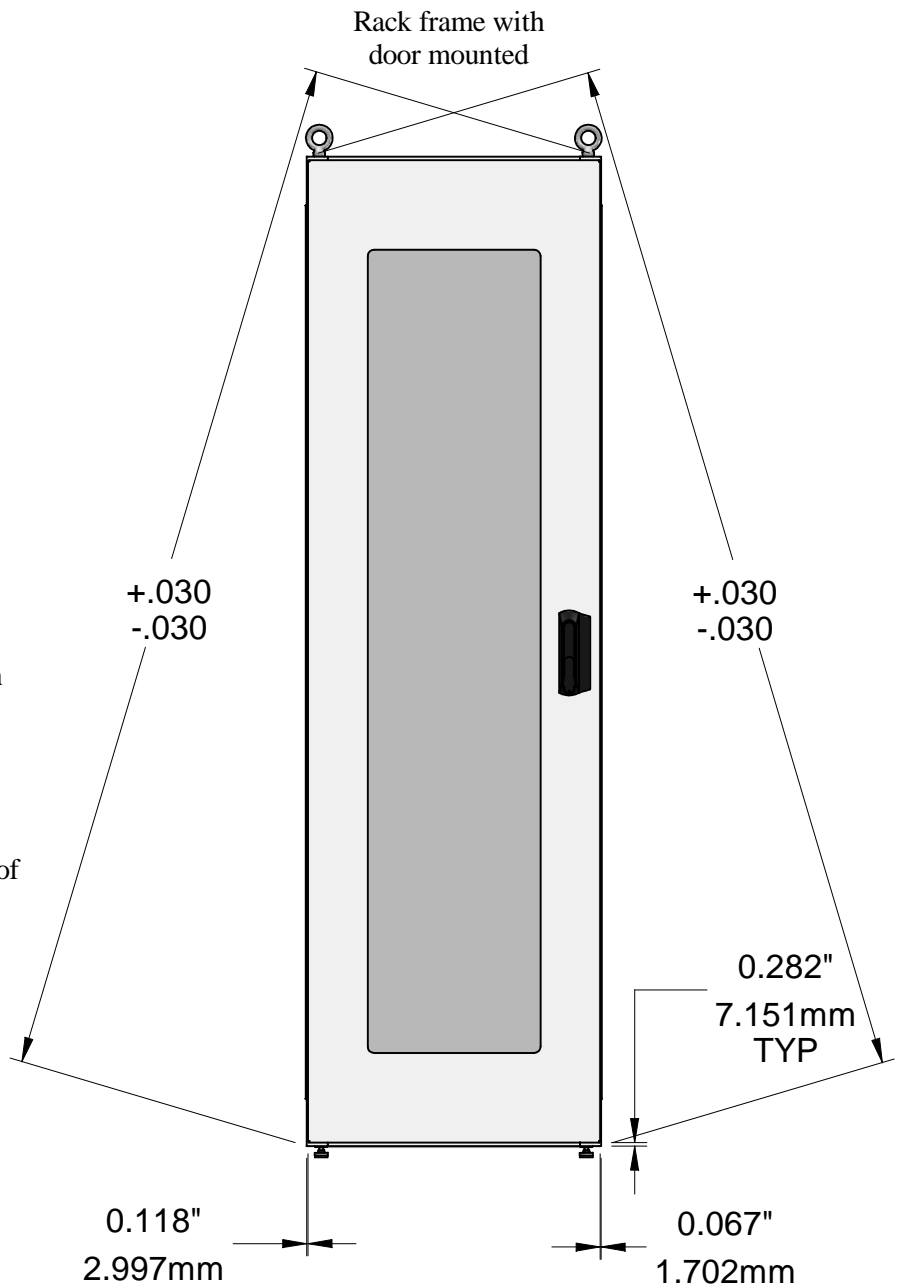


ASSEMBLY INSTRUCTIONS:

- A) Floor surface should be level to ensure that rack sits square.
- B) Check rack corner to corner and shim if necessary to ensure that the rack stays within .060 corner to corner.
- C) If the rack is equipped with leveling feet use leveling feet to adjust up or down until frame is square.
- D) Note: Adjusting either front or back leveling does not generally effect the other.
- E) Avoid tightening leveling feet completely, leave approximately a minimum of 0.5" of leveling feet exposed for later adjustment.
- F) To square door, if required with rack. Loosen hinge screws as shown below (three place typical) move door at top or bottom to suit dimensions shown or for aesthetics align with top of rack.
- G) Hinge screws should be tightened to a range of 35 to 40 pound-inches



HINGE BLOCK DETAIL

PARTS LIST

ITEM No.	DESCRIPTION	QTY
1	HINGE BODY	3
2	TAPPED MOUNTING PLATE WITH GASKET	3
3	M6-1 X 12mm FLAT HD SCREW	6

TOOL BOX



1/4 Slotted Head Screw Driver



Tape Measure



Level

