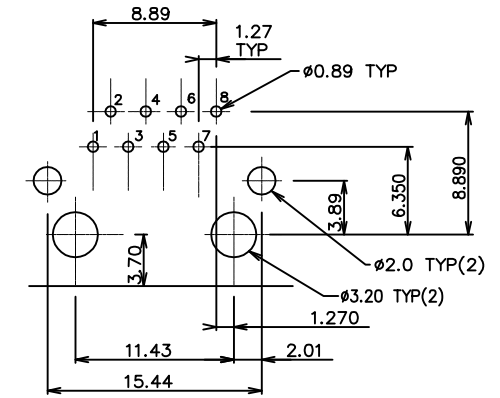
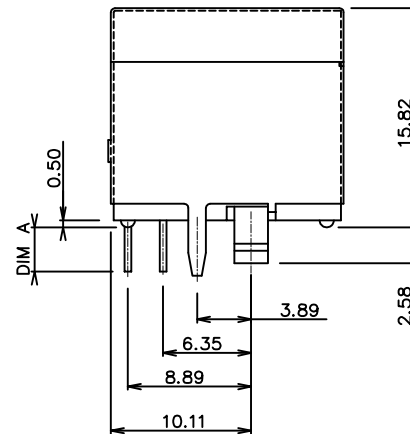
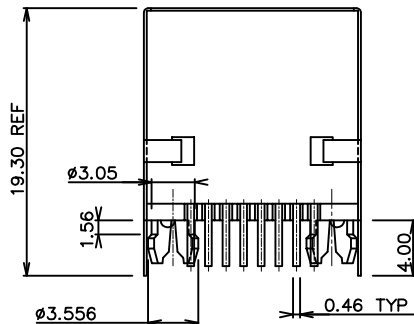
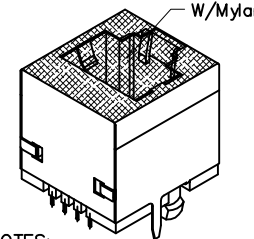


P/N	WIRE NUMBERS LOADED	PLATING	DIM A
91139-088	ALL	5u" Au + high performance lubricant	3.20±0.50
91139-588	ALL	50v" G.X.T.	3.20±0.50
91139-088LF	ALL	5u" Au + high performance lubricant	3.20±0.50
91139-588LF	ALL	50v" G.X.T.	3.20±0.50
91139-088SLF	ALL	5u" Au + high performance lubricant	1.50±0.30
91139-088SHLF	ALL	5u" Au + high performance lubricant	1.50±0.30
91139-188SHLF	ALL	15u" G.X.T.	1.50±0.30

PLATING CODE WITH MYLAR LEAD FREE PRODUCT NO. MEETS PIP PROCESS PRODUCT NO.

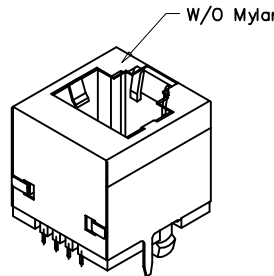
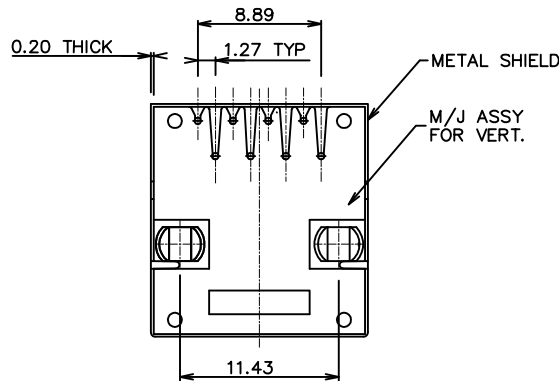


RECOMMENDED PC BOARD LAYOUT
PCB GENERALLY TOLERANCE: ±0.05



NOTES:

- RECOMMENDED P.C.B THICKNESS 1.60 MM EXCEPT -XXXSLF
- 91139 -XXXSLF & -XXXSHLF ARE CUSTOMER SPECIAL REQUIREMENT, THERE IS A MYLAR, AND CUSTOMER CHOOSES HIS OWN PCB.
- HOUSING MAT'L: NYLON UL 94V-0, BLACK.
- CONTACTS: COPPER ALLOY, PLATING SEE TABLE.
- METAL SHELL MATERIAL:
COPPER ALLOY, 0.20mm THICK.
FOR 91139-XXX: FINISH: TIN-LEAD 100u" THICK MIN.
FOR 91139-XXX(S)LF: FINISH: UNDERPLATING WITH 50u" MIN. NICKEL, OVERPLATING WITH 80u" MIN PURE BRIGHT TIN.
FOR 91139-088SHLF: FINISH: UNDERPLATING WITH 50u" MIN. NICKEL, OVERPLATING WITH 80u" MIN PURE BRIGHT TIN.
FOR 91139-188SHLF: FINISH: UNDERPLATING WITH 50u" MIN. NICKEL, SELECT PLATING MATT TIN ON METAL SHELL FEET.
- PACKAGING: GES-14-2261, USE TRAY.
- PRODUCT SPEC: GS-12-083.
- IF LF P/N THE PRODUCT MEETS EUROPEAN UNION DIRECTIVES AND OTHER COUNTRY REGULATIONS AS DESCRIBED IN GS-22-008.
- IF LF P/N THE HOUSING WILL WITHSTAND EXPOSURE TO 260°C PEAK TEMPERATURE FOR 10 SECONDS IN A WAVE SOLDER APPLICATION WITH A 1.60mm MINIMUM THICK CIRCUIT BOARD.
- IF LF P/N PACKAGING MEETS GS-14-920 SPECIFICATION.



mat'l. code		surface	tolerance	projection	product family
		ISO 1302	ISO 406/ISO 1101		MJ HPL580
ltr	ecn no	dr	date	tolerances unless otherwise specified	title
F	N04-0040	ZC	08/16/04	angles	8 POS VERT PCB M/J ASSY
G	N04-0115	YS	12/06/04	0°±2'	SHIELDED,WITHOUT PANEL STOP
H	ELX-N-004620	SH MNO	07/22/11	0.00±.05	scale 2:1
J	ELX-N-010984	SH MNO	3/14/12	dr	STU STONER 921029
K	ELX-N-13758	HE	2012-12-26	engr	R.DOUTRICH 921029
L	ELX-N-21774	NICK	8/26/15	chr	STU STONER 921029
M	ELX-N-23838	NICK	4/12/16	appd	STU STONER 921029
sheet	revision	M			
index	sheet	1			