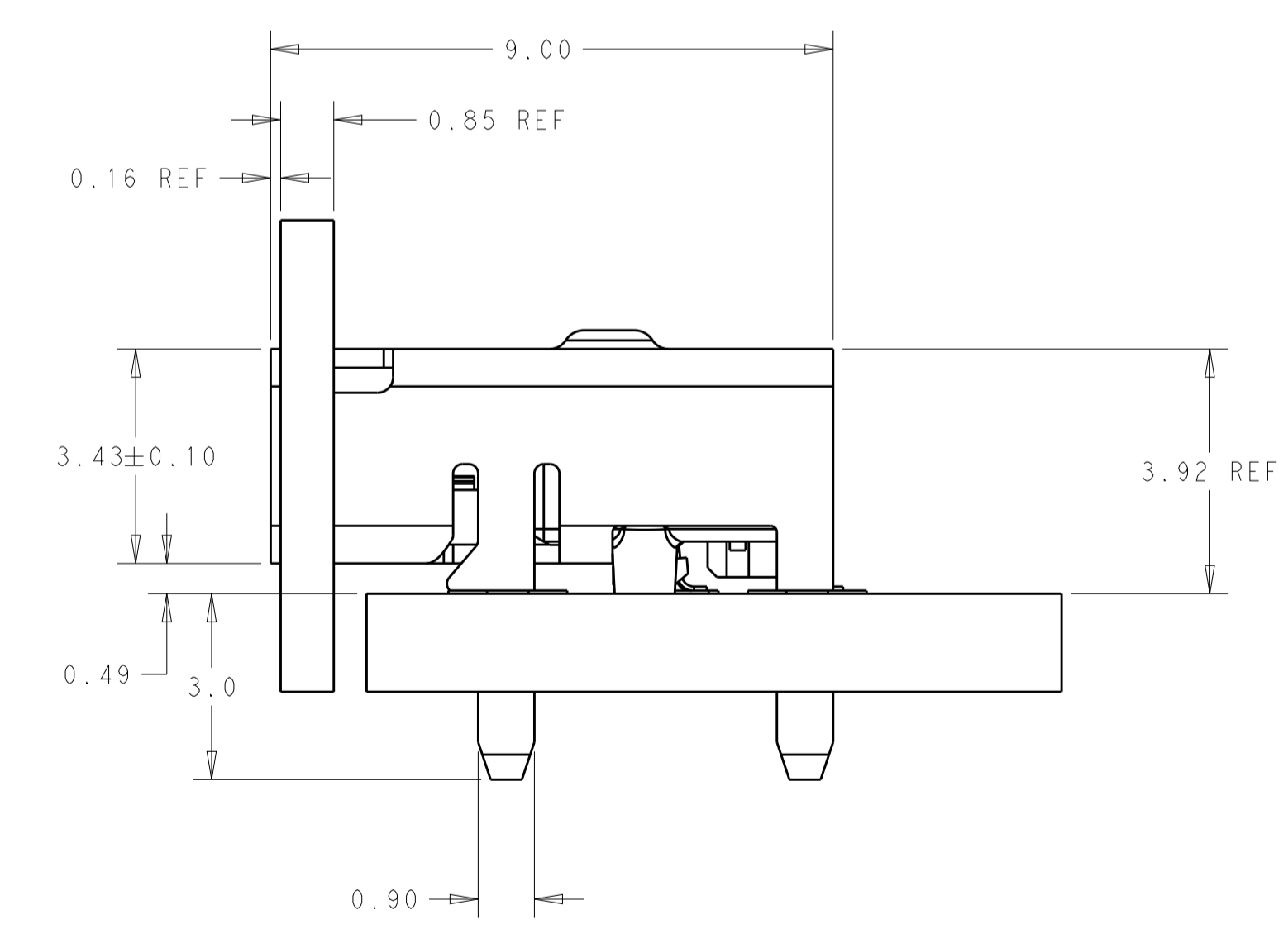
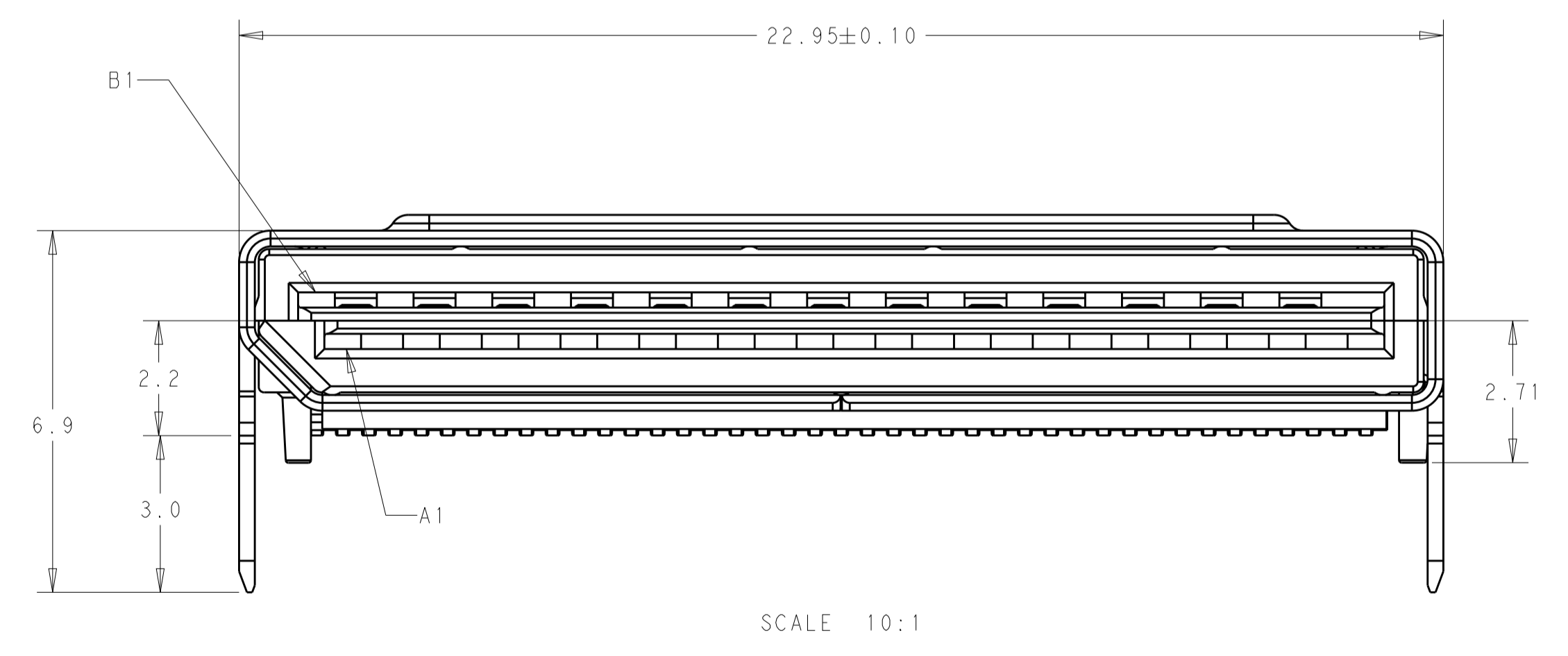
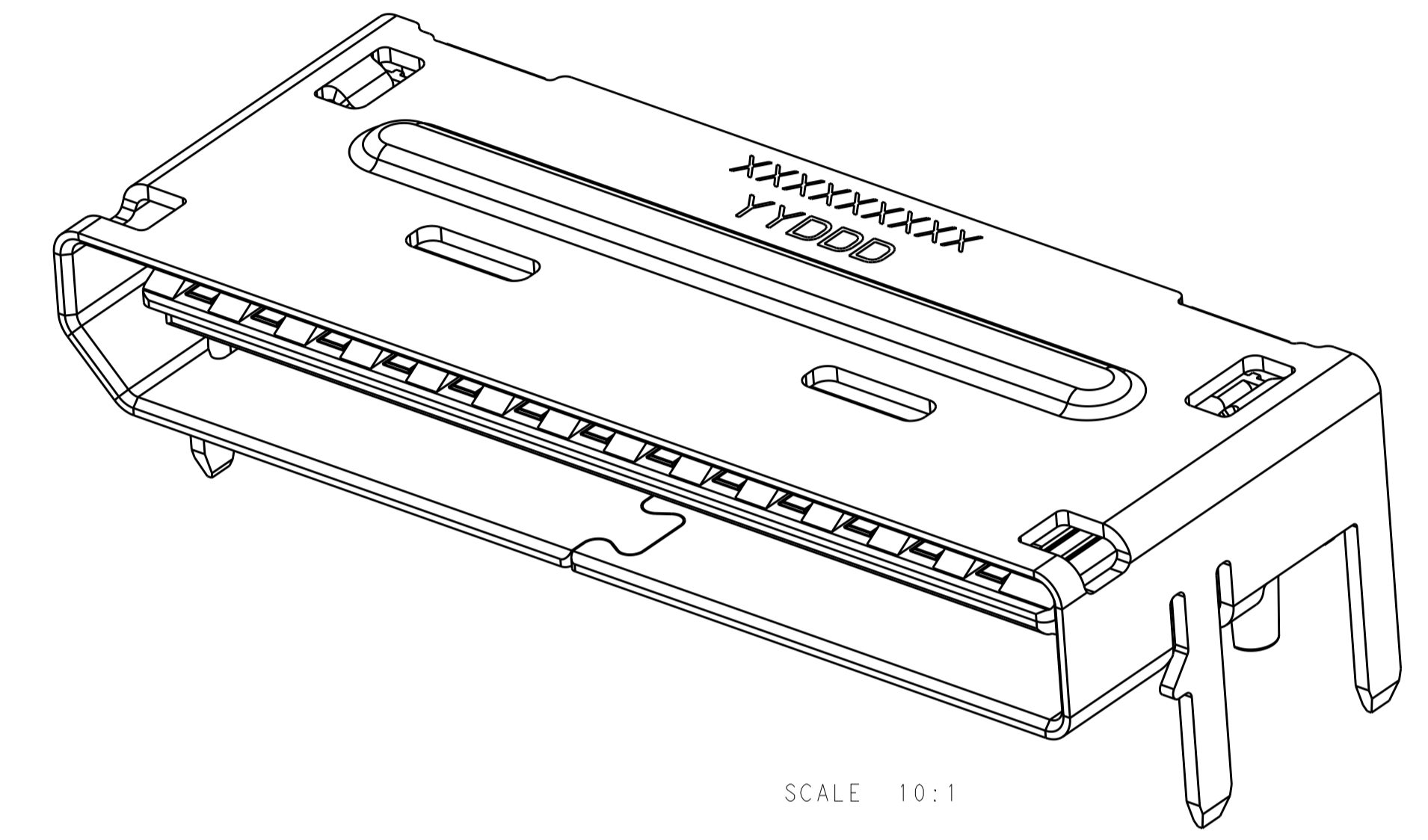
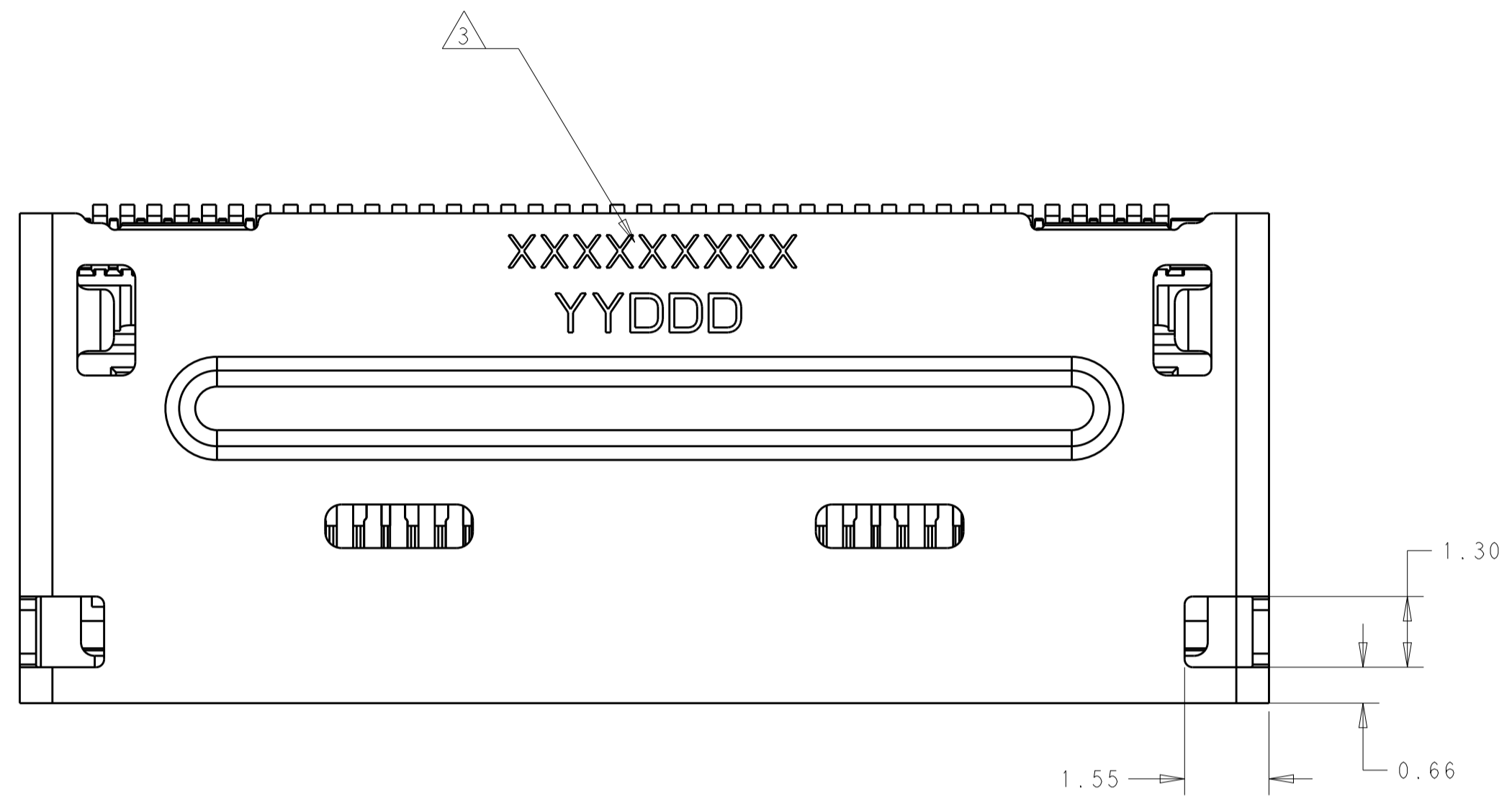


REVISIONS				
P	LTN	DESCRIPTION	DATE	OWN APVD
A		INITIAL RELEASE	15NOV2017	LL SH

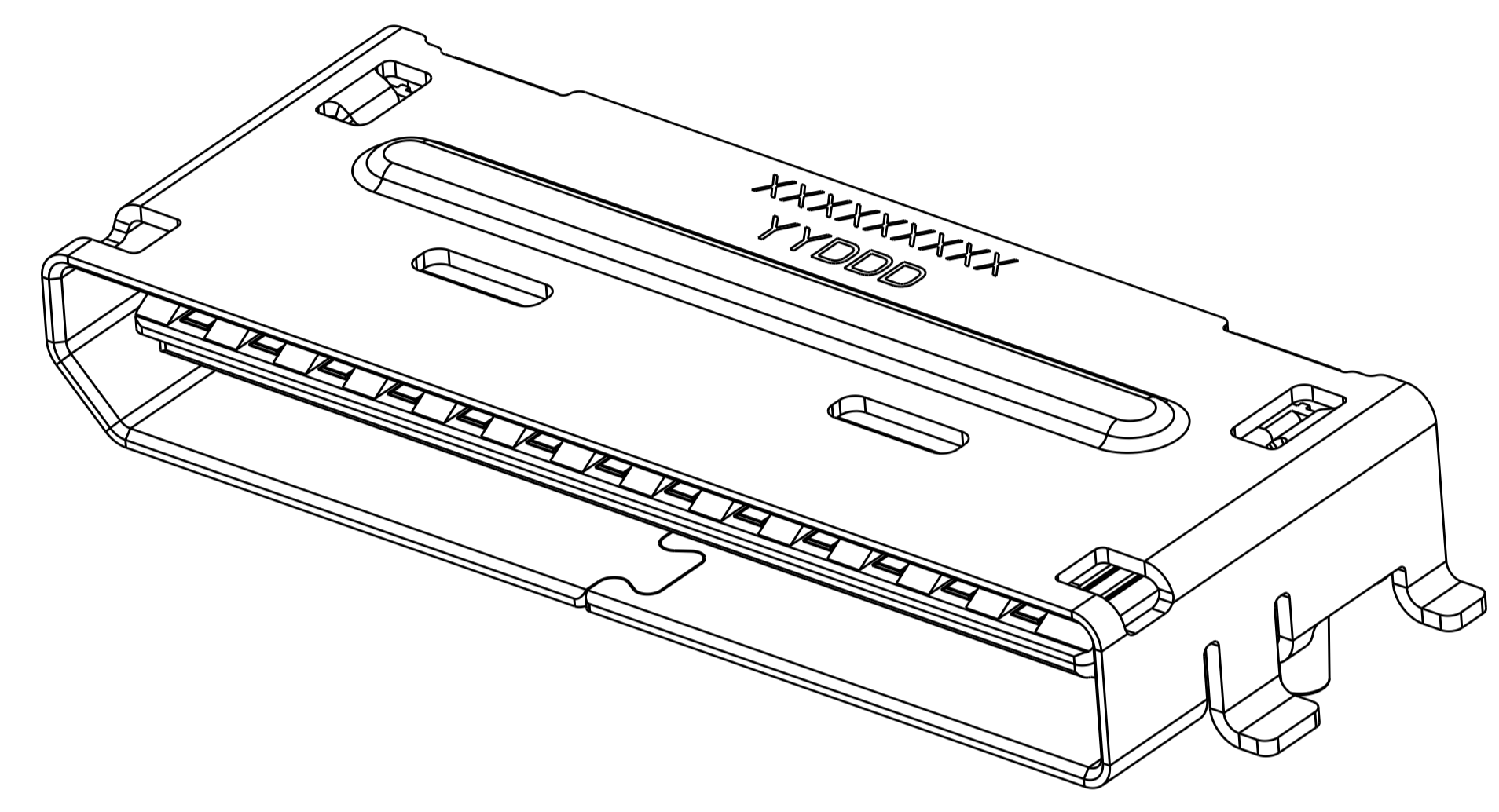
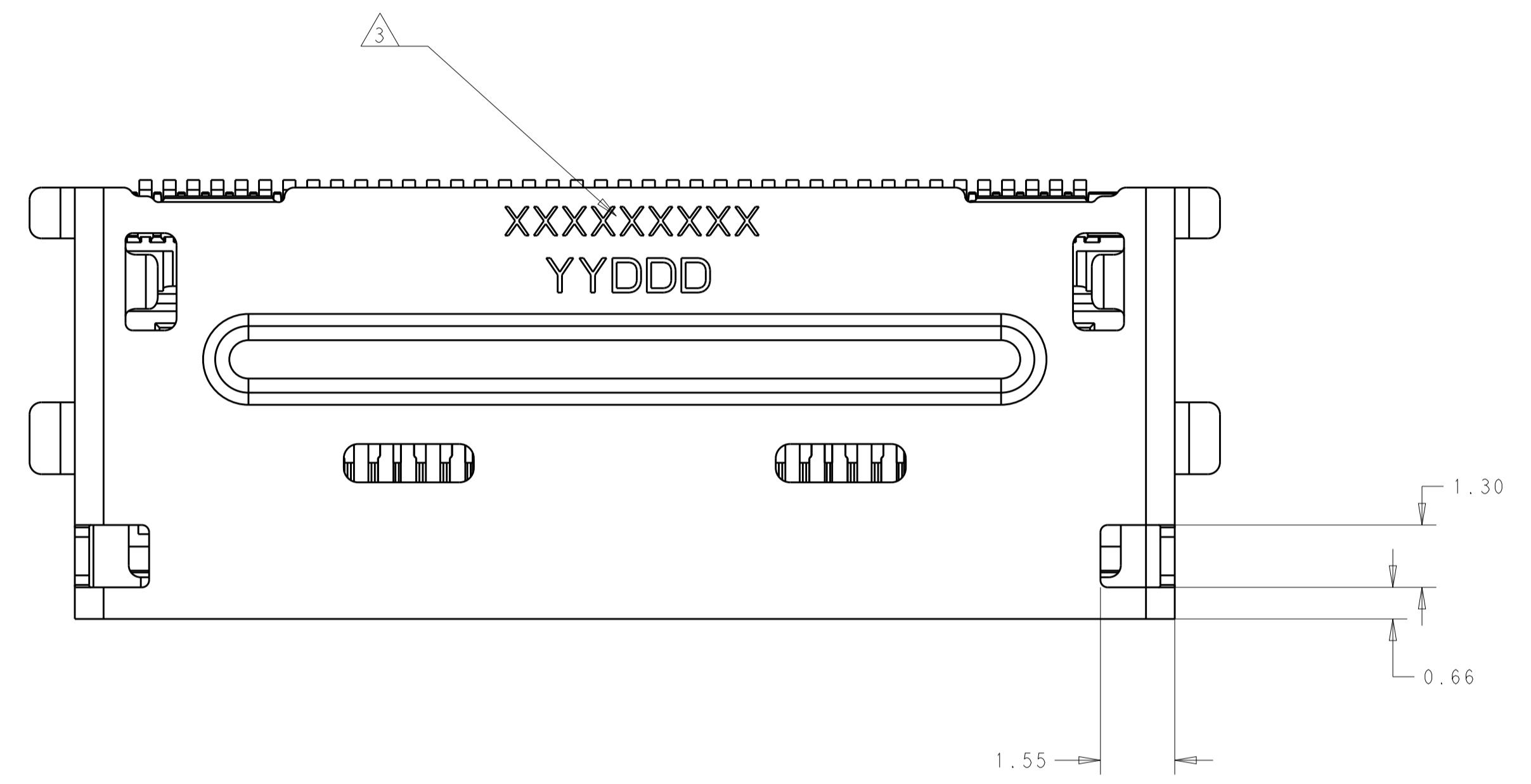
- 1 MATERIALS:  
 HOUSING: GLASS FILLED THERMOPLASTIC, 94V-0  
 CONTACTS: HIGH PERFORMANCE COPPER ALLOY  
 SHIELD: STAINLESS STEEL.
- 2 FINISH:  
 CONTACTS: 0.00076 MIN GOLD ON CONTACT AREA, 0.00254 MIN TIN ON SOLDER TAILS, ALL OVER 0.002 MIN NICKEL UNDERPLATE ON ENTIRE CONTACT.  
 SHIELD: MATTE TIN OVER 0.00127 MIN. NICKEL.
- 3 PART NUMBER AND DATE CODE MARKED IN APPROXIMATE AREA AS SHOWN.
- 4 SOLDER TAIL COPLANARITY IS 0.10 MAX.



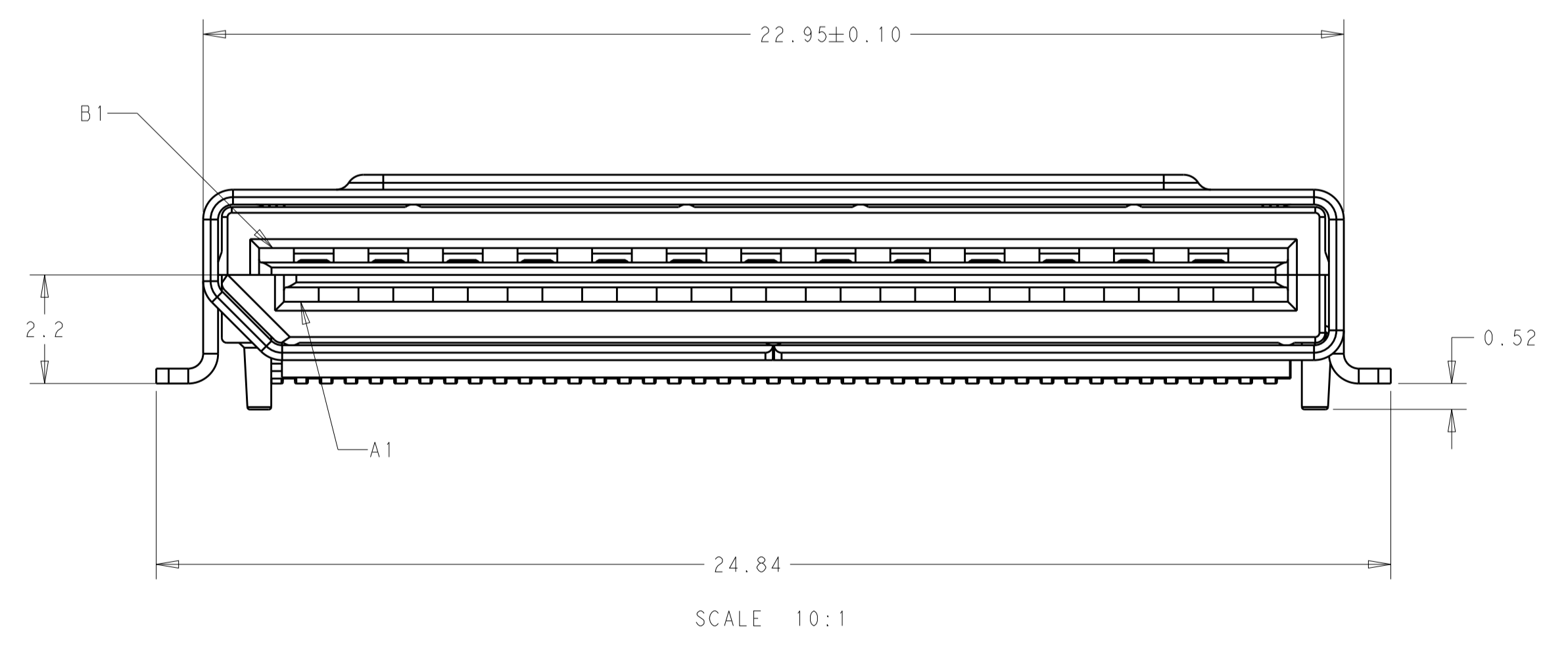
80 CIRCUIT TH ASSEMBLY  
 PART NUMBER: 2308577-1

THIS DRAWING IS A CONTROLLED DOCUMENT.		OWN: WINDY LIU 08FEB2017	PART NUMBER: 2308577-1	
DIMENSIONS: mm		CHK: SEAN HAN 08FEB2017	TE Connectivity NAME: NANO PITCH I/O FIXED RIGHT ANGLE, 8X PRODUCT SPEC: 108-60018 APPLICATION SPEC: 114-60024	
TOLERANCES UNLESS OTHERWISE SPECIFIED: 0 PLC ± 1 PLC ±0.25 2 PLC ±0.13 3 PLC ± 4 PLC ± ANGLES ±		APVD: SEAN HAN 08FEB2017		
MATERIAL: SEE NOTES		FINISH: SEE NOTES	SIZE: A1	RESTRICTED TO: -
		WEIGHT: -	SCALE: 4:1	SHEET 1 OF 5
		CUSTOMER DRAWING	REV: A	

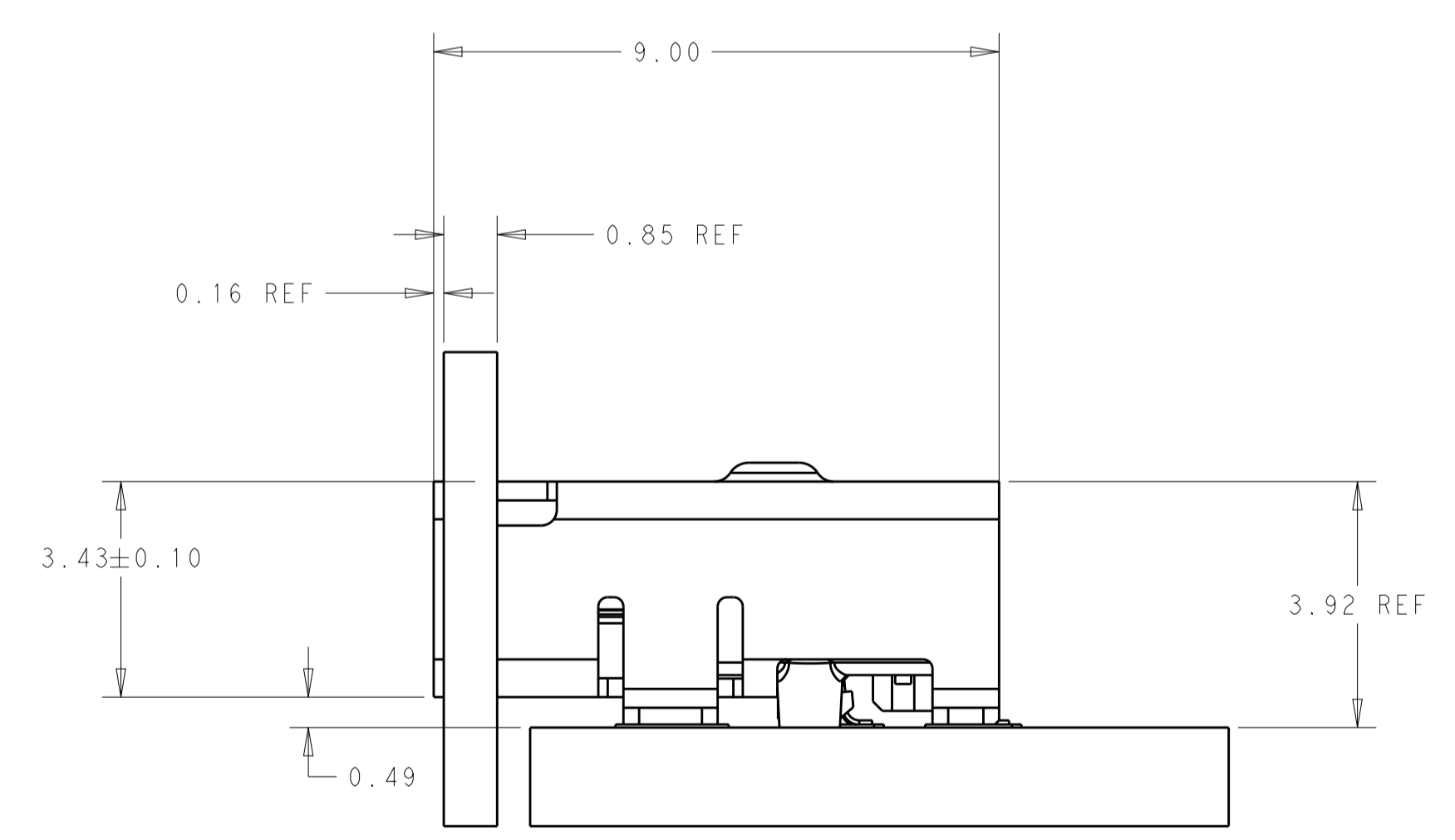
REVISIONS				
P.	LTN	DESCRIPTION	DATE	APVD
-	-	SEE SHEET 1	-	-



SCALE 10:1



SCALE 10:1



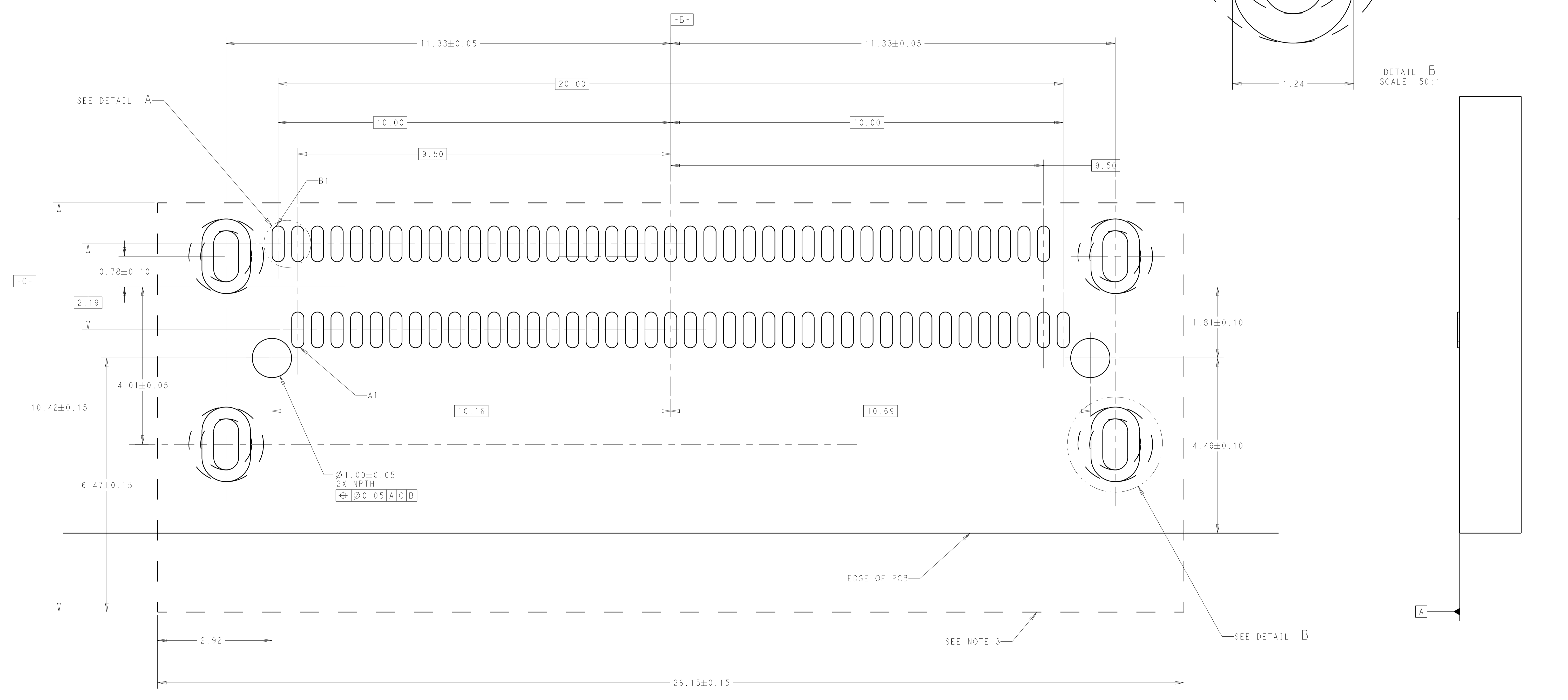
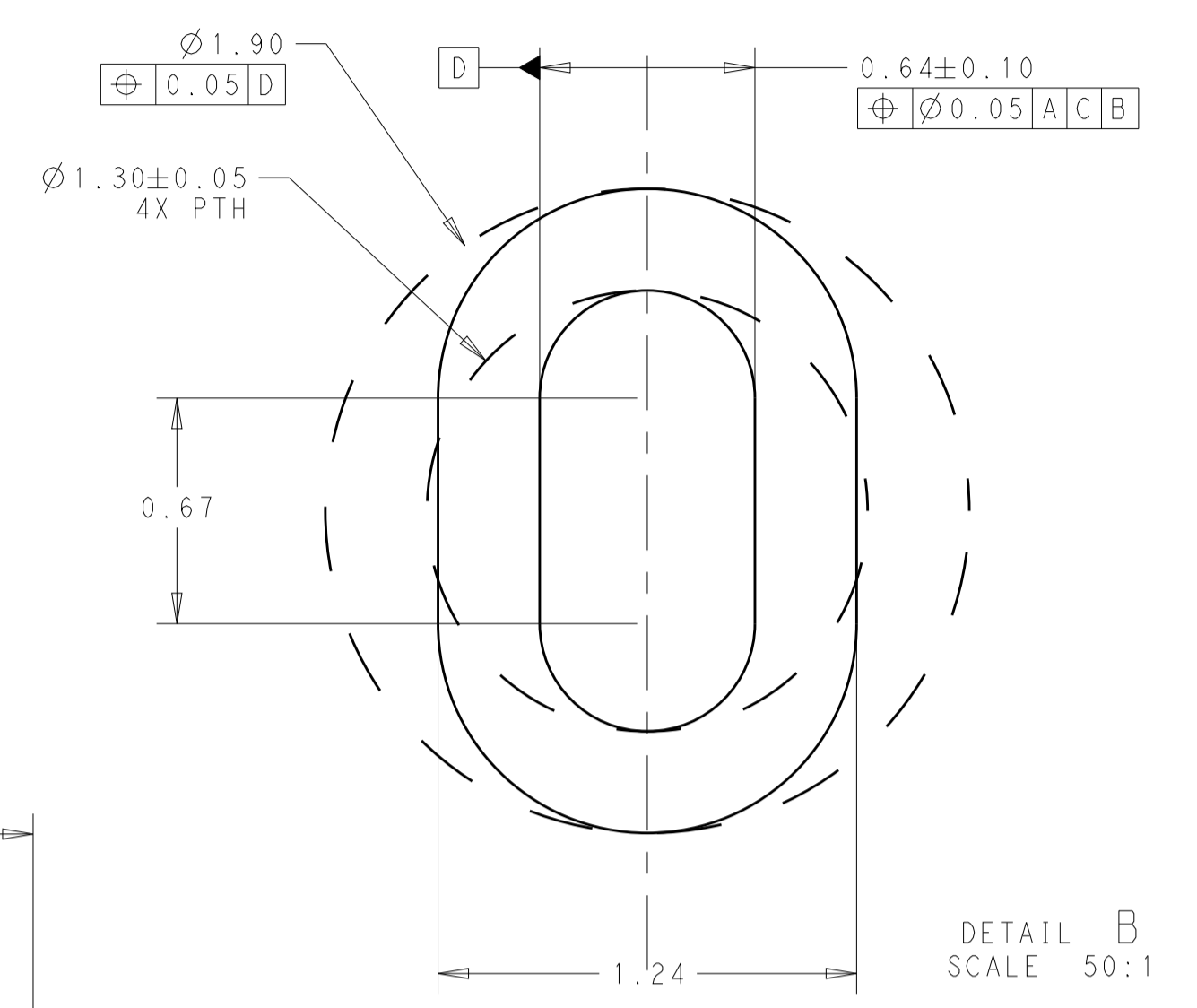
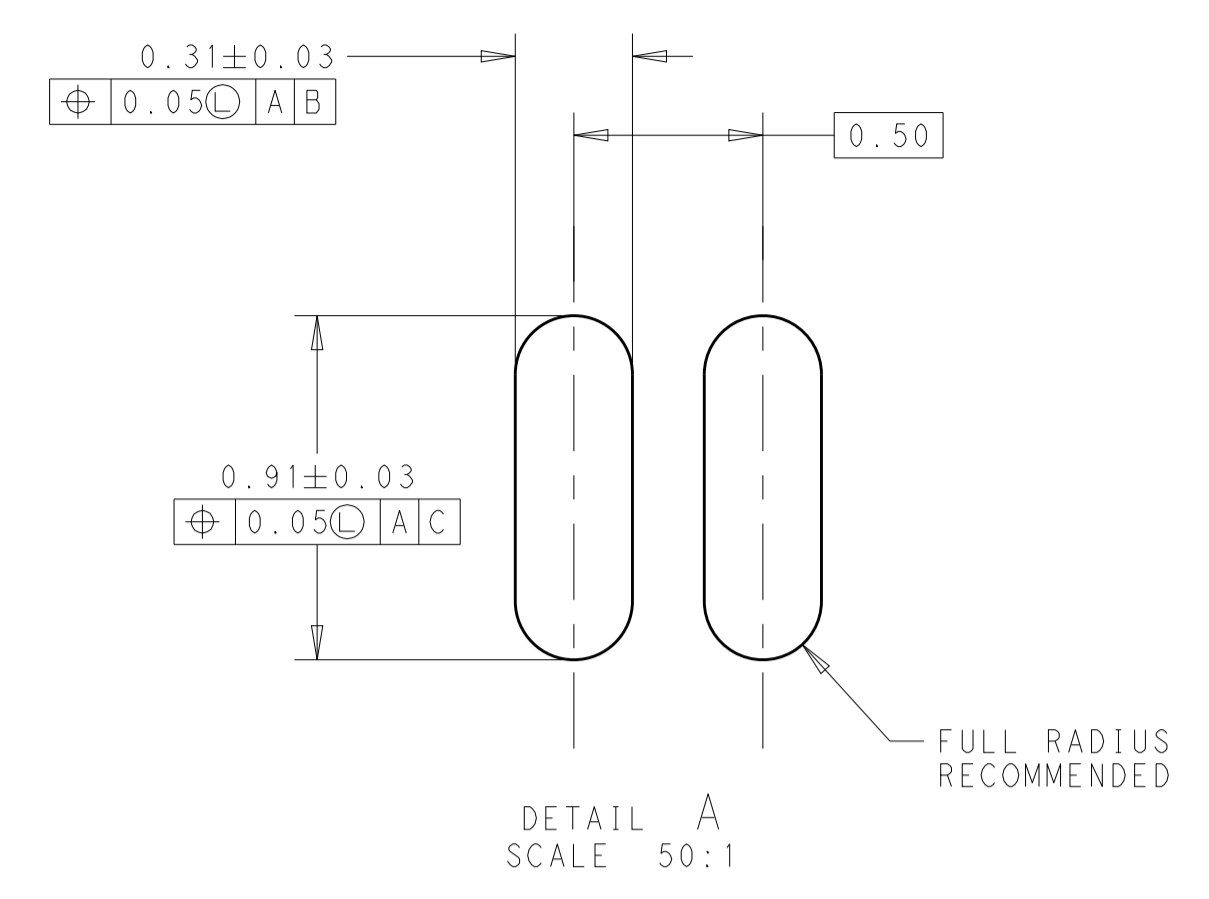
80 CIRCUIT SMT ASSEMBLY  
 PART NUMBER: 2308577-2

PART NUMBER 2308577-2

THIS DRAWING IS A CONTROLLED DOCUMENT.		OWN: WINDY LIU 08FEB2017	TE Connectivity
DIMENSIONS: mm		CHK: SEAN HAN 08FEB2017	
TOLERANCES UNLESS OTHERWISE SPECIFIED:		APVD: SEAN HAN 08FEB2017	
0 PLC ± 1 PLC ±0.25 2 PLC ±0.13 3 PLC ± 4 PLC ± ANGLES ±		NAME: NANO PITCH I/O FIXED RIGHT ANGLE, 8X PRODUCT SPEC: 108-60018 APPLICATION SPEC: 114-60024 WEIGHT: -	
MATERIAL: SEE NOTES	FINISH: SEE NOTES	SIZE: A1	CAGE CODE: - DRAWING NO: C=2308577 CUSTOMER DRAWING
SCALE 4:1			SHEET 2 OF 5 REV A

REVISIONS				
P.	LTN.	DESCRIPTION	DATE	APP'D.
-	-	SEE SHEET 1	-	-

# 80 CIRCUIT TAIL RECOMMENDED FOOTPRINT

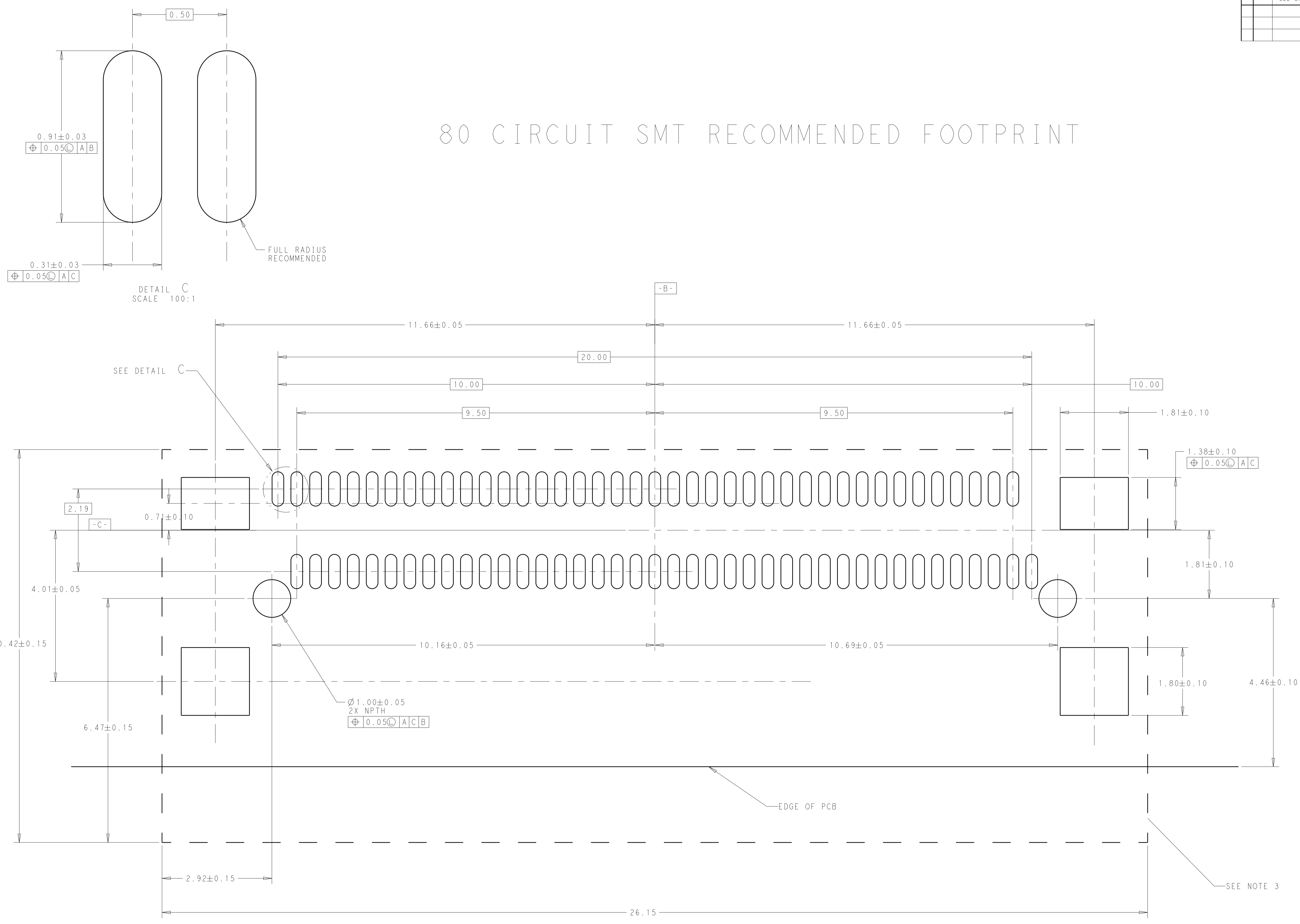


- NOTES:  
 1. MINIMUM RECOMMENDED SPACING IS 26.75MM.  
 2. MINIMUM RECOMMENDED PCB THICKNESS: 1.57MM.  
 3. CONNECTOR KEEP OUT AREA.  
 4. DATUM -A- ESTABLISHED FROM TOP SURFACE OF PCB.

THIS DRAWING IS A CONTROLLED DOCUMENT.		OWN: VINDY LIU 08FEB2017	TE Connectivity
DIMENSIONS: mm		CHK: SEAN HAN 08FEB2017	
TOLERANCES UNLESS OTHERWISE SPECIFIED:		APP'D: SEAN HAN 08FEB2017	NAME: NANO PITCH I/O FIXED RIGHT ANGLE, 8X
0 PLC ±0.25	1 PLC ±0.13	PRODUCT SPEC: 108-60018	APPLICATION SPEC: -
2 PLC ±0.13	3 PLC ±0.13	SIZE: 114-60024	CAGE CODE: -
4 PLC ±0.13	ANGLES ±0.13	WEIGHT: -	RESTRICTED TO: -
MATERIAL: SEE NOTES	FINISH: SEE NOTES	CUSTOMER DRAWING	SCALE: 4:1 SHEET 3 OF 5 REV A

REVISIONS				
P.	LTH	DESCRIPTION	DATE	APVD
-	-	SEE SHEET 1	-	-

# 80 CIRCUIT SMT RECOMMENDED FOOTPRINT



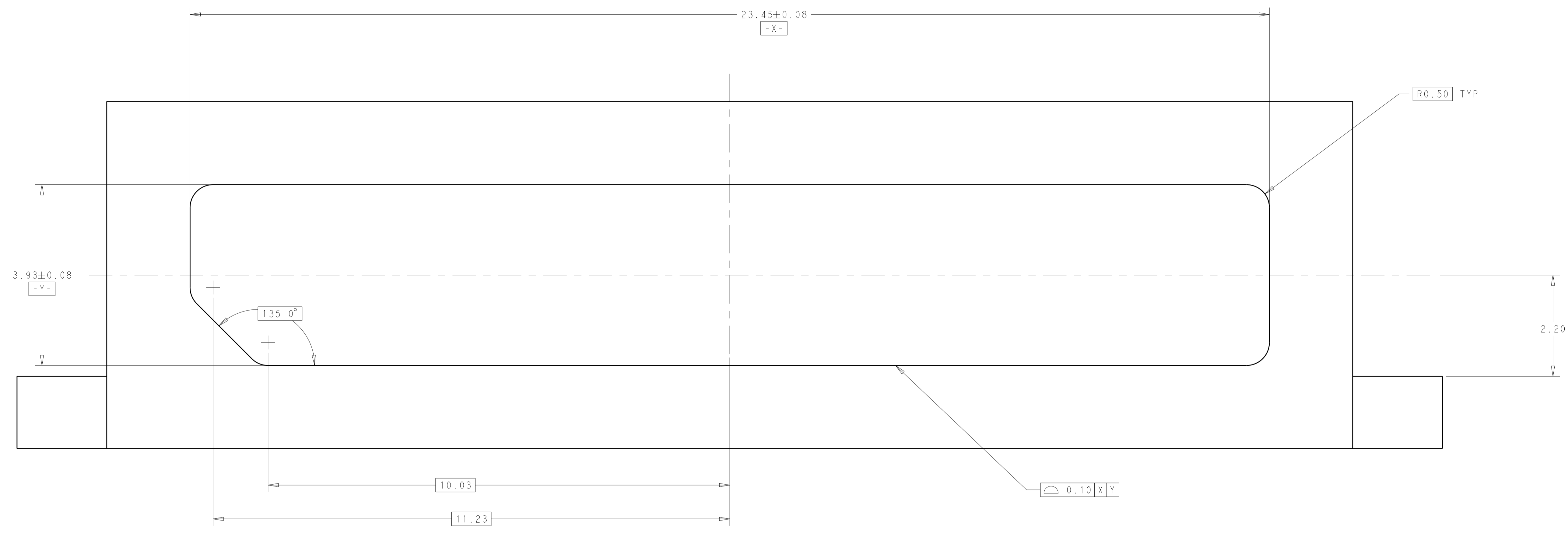
- NOTES:
1. MINIMUM RECOMMENDED SPACING IS 26.75MM.
  2. MINIMUM RECOMMENDED PCB THICKNESS: 1.57MM.
  3. CONNECTOR KEEP OUT AREA.
  4. DATUM -A- ESTABLISHED FROM TOP SURFACE OF PCB.


THIS DRAWING IS A CONTROLLED DOCUMENT.		OWN: WINDY LIU 08FEB2017	TE Connectivity
DIMENSIONS: mm		CHK: SEAN HAN 08FEB2017	
TOLERANCES UNLESS OTHERWISE SPECIFIED: 0 PLC ±0.25 1 PLC ±0.13 2 PLC ±0.13 3 PLC ±0.13 4 PLC ±0.13 ANGLES ±0.13		APVD: SEAN HAN 08FEB2017	NAME: NANO PITCH I/O FIXED RIGHT ANGLE, 8X
MATERIAL: SEE NOTES		PRODUCT SPEC: 108-60018	SIZE: A1
FINISH: SEE NOTES		APPLICATION SPEC: 114-60024	CAGE CODE: -
SEE NOTES		WEIGHT: -	DRAWING NO: C=2308577
SEE NOTES		CUSTOMER DRAWING	SCALE: 4:1 SHEET 4 OF 5 REV A

THIS DRAWING IS UNPUBLISHED. RELEASED FOR PUBLICATION 20  
COPYRIGHT 20 BY - ALL RIGHTS RESERVED.

REVISIONS				
P.	LTN.	DESCRIPTION	DATE	APP'D.
-	-	SEE SHEET 1	-	-

# 80 CIRCUIT PANEL OPENING



THIS DRAWING IS A CONTROLLED DOCUMENT.		OWN: WINDY LIU 08FEB2017	 TE Connectivity
DIMENSIONS: mm		CHK: SEAN HAN 08FEB2017	
TOLERANCES UNLESS OTHERWISE SPECIFIED:		APP'D: SEAN HAN 08FEB2017	NAME: NANO PITCH I/O FIXED RIGHT ANGLE, 8X
0 PLC ±	1 PLC ±0.25	PRODUCT SPEC	108-60018
2 PLC ±0.13	3 PLC ±	APPLICATION SPEC	114-60024
4 PLC ±	ANGLES ±	SIZE: A1	CAGE CODE: -
MATERIAL: SEE NOTES	FINISH: SEE NOTES	WEIGHT: -	DRAWING NO: C=2308577
CUSTOMER DRAWING		SCALE: 4:1	SHEET 5 OF 5 REV A