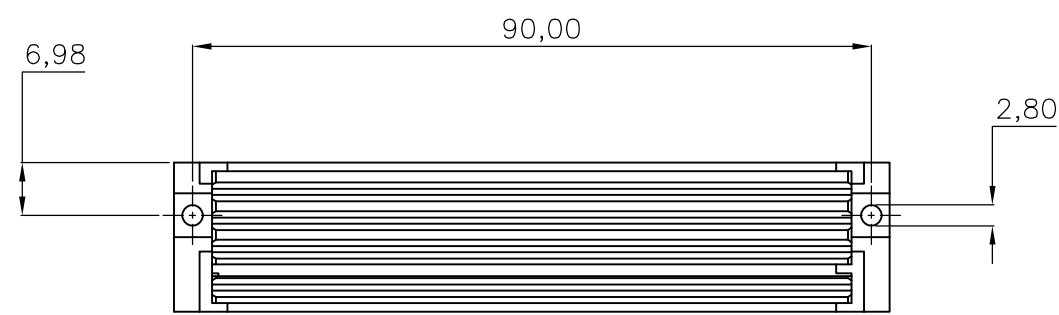
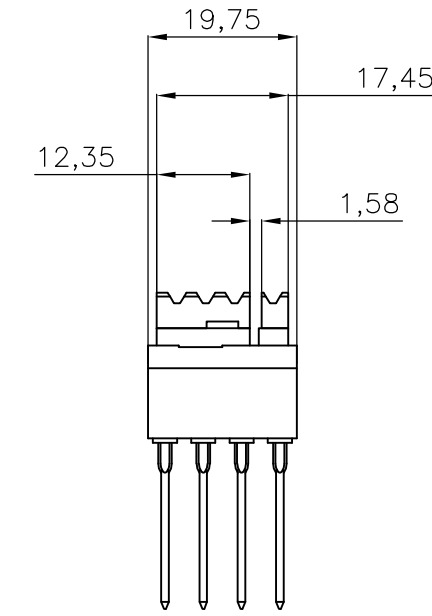
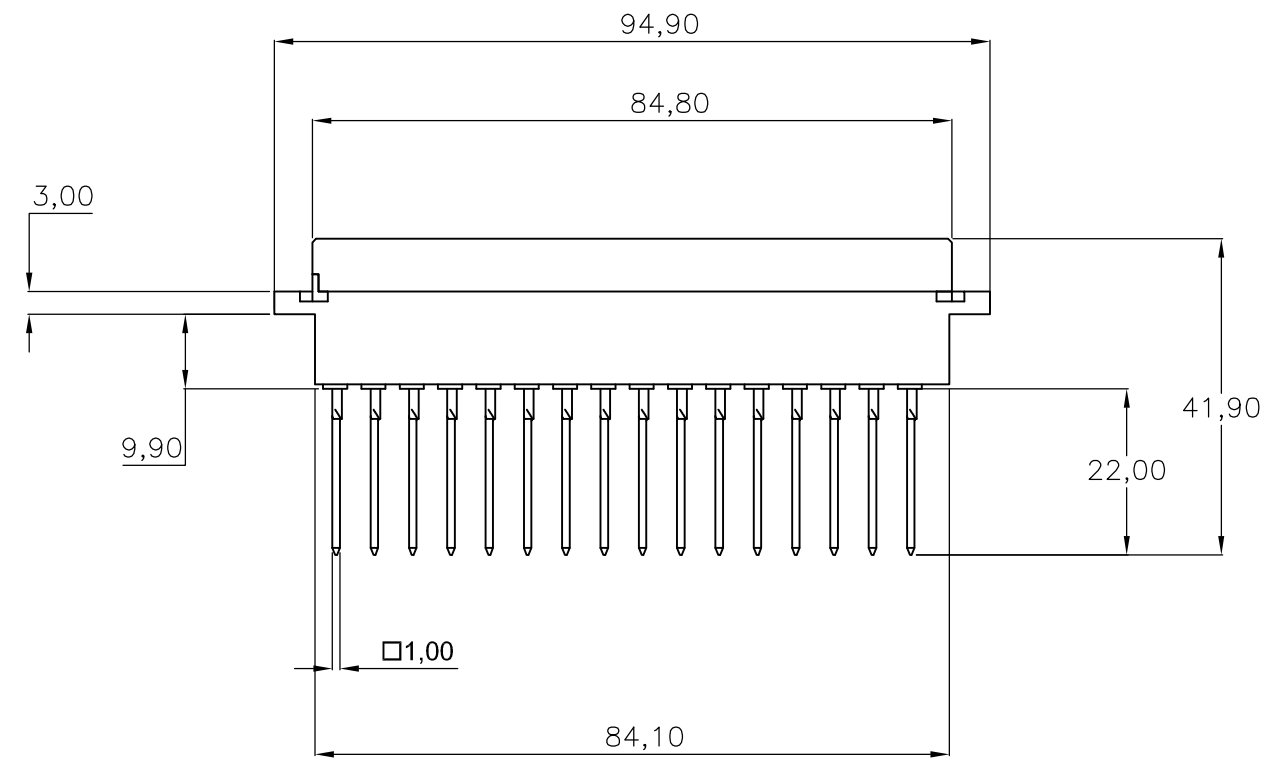


THIS DRAWING IS UNPUBLISHED. RELEASED FOR PUBLICATION  
 © COPYRIGHT BY TYCO ELECTRONICS CORPORATION. ALL INTERNATIONAL RIGHTS RESERVED.

LOC	DIST	REVISIONS			
P	LTR	DESCRIPTION	DATE	DWN	APVD
H	-	B	INITIAL DRAWING	22-05-08	AEG MKO

- NOTES:
- FULLY LOADED WITH 64 CONTACTS
  - CONNECTION TYPE: WIRE WRAP POST WITH PRESS-IN ZONE
  - DIN 41612 PERFORMANCE LEVEL 2



THIS DRAWING IS A CONTROLLED DOCUMENT.		DWN GNANI JADAV A E 22MAY08	Tyco Electronics Corporation 's-Hertogenbosch, Nederland	
DIMENSIONS: mm		CHK M. KOMAR 06NOV08	NAME 64 POS. TYPE G FEMALE CONNECTOR	
TOLERANCES UNLESS OTHERWISE SPECIFIED:		APVD M. WESTEN 06NOV08	SIZE A2	CAGE CODE 00779
0 PLC ± - 1 PLC ± - 2 PLC ± - 3 PLC ± - 4 PLC ± - ANGLES ± - FINISH -		PRODUCT SPEC - APPLICATION SPEC -	DRAWING NO C=2-1437084-2	RESTRICTED TO -
MATERIAL -		WEIGHT -	SCALE NTS	SHEET 1 of 1
CUSTOMER DRAWING			REV B	