

NOTES:

1. MATERIALS AND FINISHES:

- BODIES - BRASS, NICKEL PLATED
- CONTACT - PHOSPHOR BRONZE, GOLD PLATED (.000030" THICK MIN)
- BULLET CONTACT - BRASS, GOLD PLATED
- CRIMP FERRULE - BRASS, NICKEL PLATED
- INSULATOR - PTFE
- O-RING & GASKET - SILICONE

2. ELECTRICAL:

- A. FREQUENCY RANGE = DC TO 3.0 GHz
- B. V.S.W.R. (RETURN LOSS) = 1.250 MAX. (-19.1 dB)

3. MECHANICAL:

- A. WATER PROTECTION IN UNMATED CONDITION PER IEC 529, IP67
- B. CONTINUOUS OPERATING TEMPERATURE: -40°C TO +85°C
- C. INTERFACE MEETS THE REQUIREMENTS OF MIL-STD-348, TNC SERIES

4. CABLE ASSEMBLY INSTRUCTIONS:

- A. TRIM CABLE AS SHOWN
- B. SLIDE CRIMP FERRULE ONTO CABLE
- C. CRIMP OR SOLDER BULLET CONTACT TO CABLE CENTER CONDUCTOR
INSERT CABLE WITH BULLET CONTACT INTO REAR FERRULE BODY,
SLIDING FOIL INTO THE BODY AND THE BRAID OVER THE BODY.
- D. CRIMP FERRULE USING A .178 HEX DIE

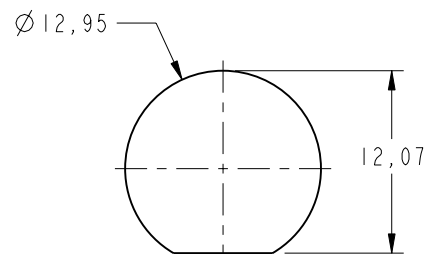
5. PACKAGING:

- A. PACKAGE CONNECTOR AS PER ROUTING INSTRUCTIONS.
- B. MARK BOX OR TAG "31-6212 YYWW"
- C. BULK PACK AS FOLLOWS:
CONTACT 50 PCS IN 1 BAG;
O-RING 50 PCS IN 1 BAG;
HEX NUT 50 PCS IN 1 BAG;
LOCKWASHER 50 PCS IN 1 BAG;
FERRULE 50 PCS IN 1 BAG;
CONNECTOR 50 PCS IN 1 BAG;
ALL 6 BAGS IN 1 BOX.

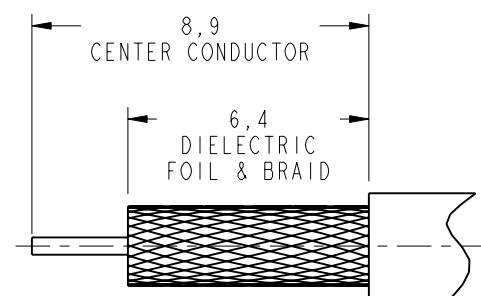
THIRD ANGLE PROJ.

REVISIONS

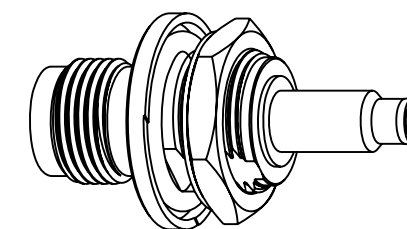
REV	DESCRIPTION	DATE	ECO	APPR
A	RELEASE TO MFG	4/29/04	44928	BCG
B	SEE SHEET 1	5/17/04	44959	BCG
C	SEE SHEET 1	17-Dec-09	47847	SCOTT
D	PACKAGE WAS CHANGED/ RD-DM120228011	05-Mar-12	48975	IX



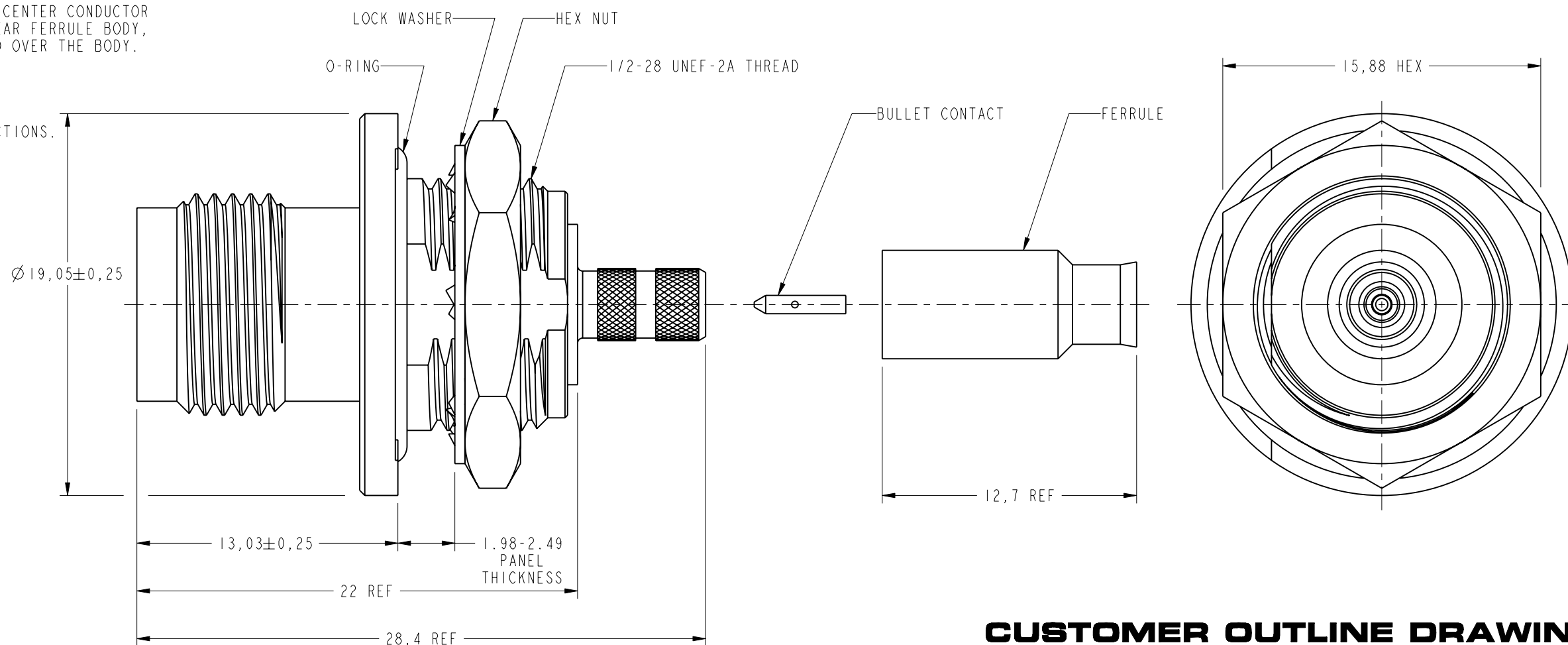
SUGGESTED MOUNTING HOLE
SCALE 2.000



RECOMMENDED TRIM DIMENSIONS



SCALE 1.500



CUSTOMER OUTLINE DRAWING

ALL OTHER SHEETS ARE FOR INTERNAL USE ONLY

UNLESS OTHERWISE SPECIFIED, DIMENSIONS ARE IN METRIC AND TOLERANCES ARE:
 <0.5mm ±0.05mm 0.5 - 6mm ±0.1mm 6 - 30mm ±0.2mm 30 - 120mm ±0.3mm ANGLES ±1°

NOTICE - These drawings, specifications, or other data (1) are, and remain the property of Amphenol corp. (2) must be returned upon request; and (3) are confidential and not to be disclosed to any person other than those to whom they are given by Amphenol Corp. the finishing of these drawings, specifications, or other data by Amphenol Corp., or to any other person to anyone for any purpose is not to be regarded by implication or otherwise in any manner licensing, granting rights to permitting such holder or any other person to manufacture, use or sell any product, process or design, patented or otherwise, that may in any way be related to or disclosed by said drawings, specifications, or other data.

MATERIAL	
REFERENCE	EAR #1300 AND 611X-4158-100
CONFIGURATION LEVEL:	<input type="checkbox"/> <input type="checkbox"/> <input type="checkbox"/>
FINISH	

DRAWN	I.XU	DATE	29-Feb-12
ENGINEER	B.C.GLEISSNER	DATE	29-Feb-12
APPROVED	S.HSIEH	DATE	02-Mar-12
CAD FILE			

TITLE	
TNC JACK, BULKHEAD FRONT MOUNT, SEALED FOR RG-316 CABLE	
SCALE: 4.0:1.0	SHEET 2 OF 2
DWG SIZE	REV
B	D

Amphenol RF	
Danbury CT USA, Tainan, Taiwan, Shenzhen, China www.amphenolrf.com	
DRAWING NO. 31-6212	
ITEM NO. 31-6212	
PART NO. 31-6212	