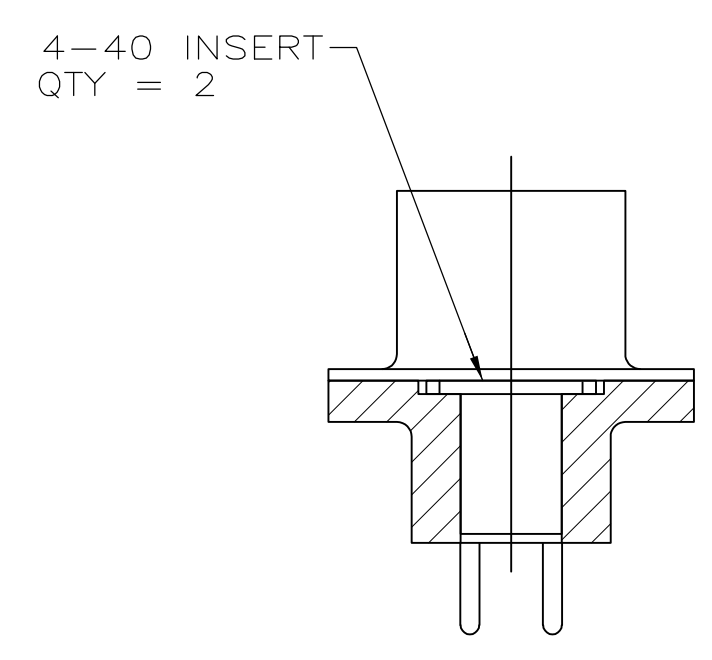
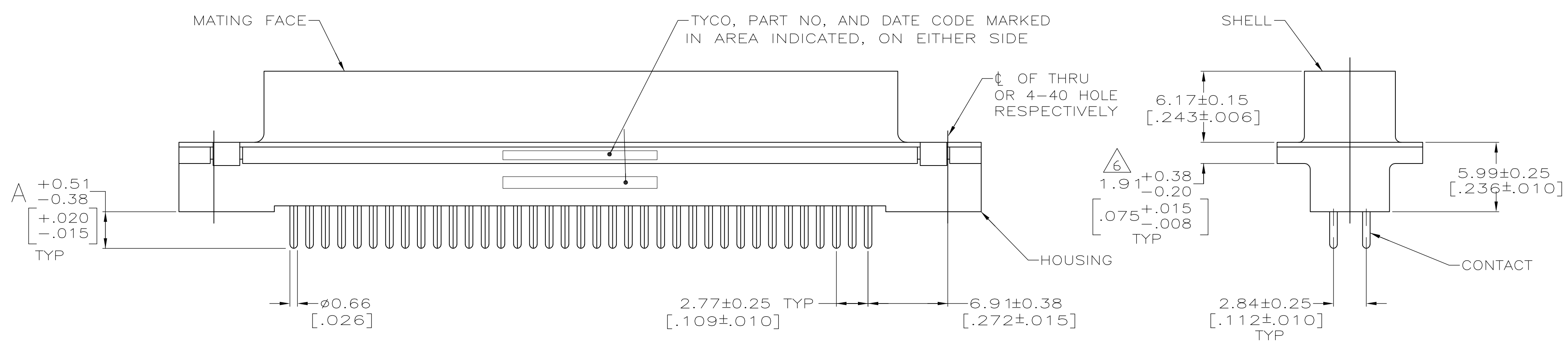
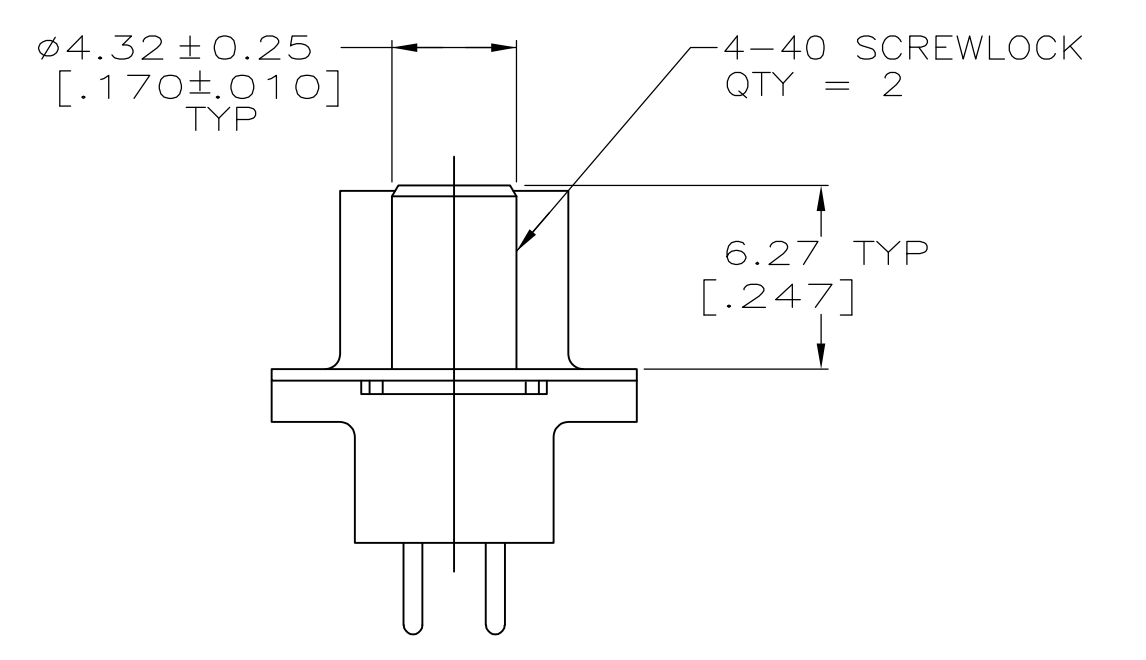


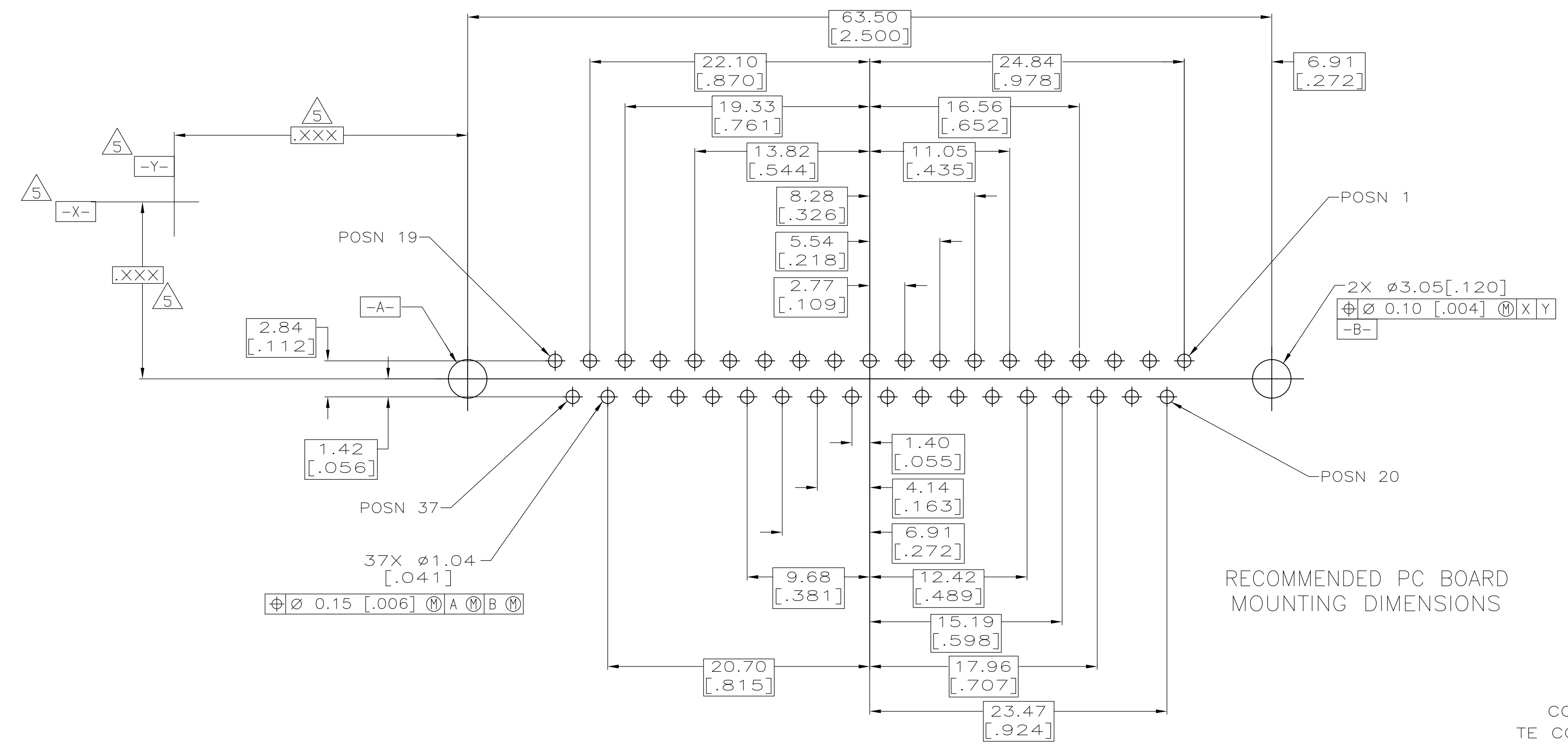
- 1 HOUSING: BLACK POLYESTER, UL 94V-0 RATED  
CONTACTS: PHOSPHOR BRONZE  
SHELL: CARBON STEEL  
SCREWLOCKS: ZINC  
INSERTS: BRASS
- 2 SHELL: 5.08µm[.000200] MIN TIN OVER 2.54µm[.000100] MIN COPPER.  
CONTACTS: SEE TABLE  
INSERTS: UNPLATED  
SCREWLOCKS: CLEAR CHROMATE.
- 3 GOLD FLASH FOR A LENGTH OF 2.54 [.100] MIN FROM MATING END, 2.54µm[.000100] MIN TIN ON OPPOSITE END, BOTH OVER 1.27µm[.000050] MIN NICKEL.
- 4 0.76µm[.000030] MIN GOLD FOR A LENGTH OF 2.54 [.100] MIN FROM MATING END, 2.54µm[.000100] MIN TIN ON OPPOSITE END, BOTH OVER 1.27µm[.000050] MIN NICKEL.
- 5 DATUMS AND BASIC DIMENSIONS ESTABLISHED BY CUSTOMERS.
- 6 2.79 [.110] MAX IN SHELL TAB CLINCH AREAS.



DETAIL D



DETAIL E



RECOMMENDED PC BOARD MOUNTING DIMENSIONS

4.32 [.170]	4-40 SCREWLOCK (DETAIL E)	4	1-5747301-6
3.18 [.125]	4-40 SCREWLOCK (DETAIL E)	4	1-5747301-4
3.18 [.125]	4-40 INSERT (DETAIL D)	4	5747301-8
3.18 [.125]	4-40 INSERT (DETAIL D)	3	5747301-7
3.18 [.125]	-	1	5747301-2
A	MOUNTING HARDWARE	CONTACT FINISH	PART NO

THIS DRAWING IS A CONTROLLED DOCUMENT.		OWN: B. LATTUCA 22SEPT05	NAME: RECEPTACLE ASSEMBLY, SIZE 4, 37 POSN, VERTICAL, FRONT METAL SHELL, AMPLIMITE HD-20	
DIMENSIONS: mm[INCHES]		CHK: S. BOLASH 22SEPT05	PRODUCT SPEC: 108-40025	
TOLERANCES UNLESS OTHERWISE SPECIFIED:		APVD: M. WALMSLEY 22SEPT05	APPLICATION SPEC: 114-40023	
0 PLC ± -	1 PLC ± -	SIZE: A1		
2 PLC ± 0.13 [005]	3 PLC ± -	CAGE CODE: 00779		
4 PLC ± -	ANGLES ± -	DRAWING NO: 5747301		
MATERIAL: 1	FINISH: 2	WEIGHT: -	SCALE: 4:1	SHEET 1 OF 1
CUSTOMER DRAWING		REV: A1		

COPYRIGHT 2005  
TE CONNECTIVITY CORP  
ALL RIGHTS RESERVED