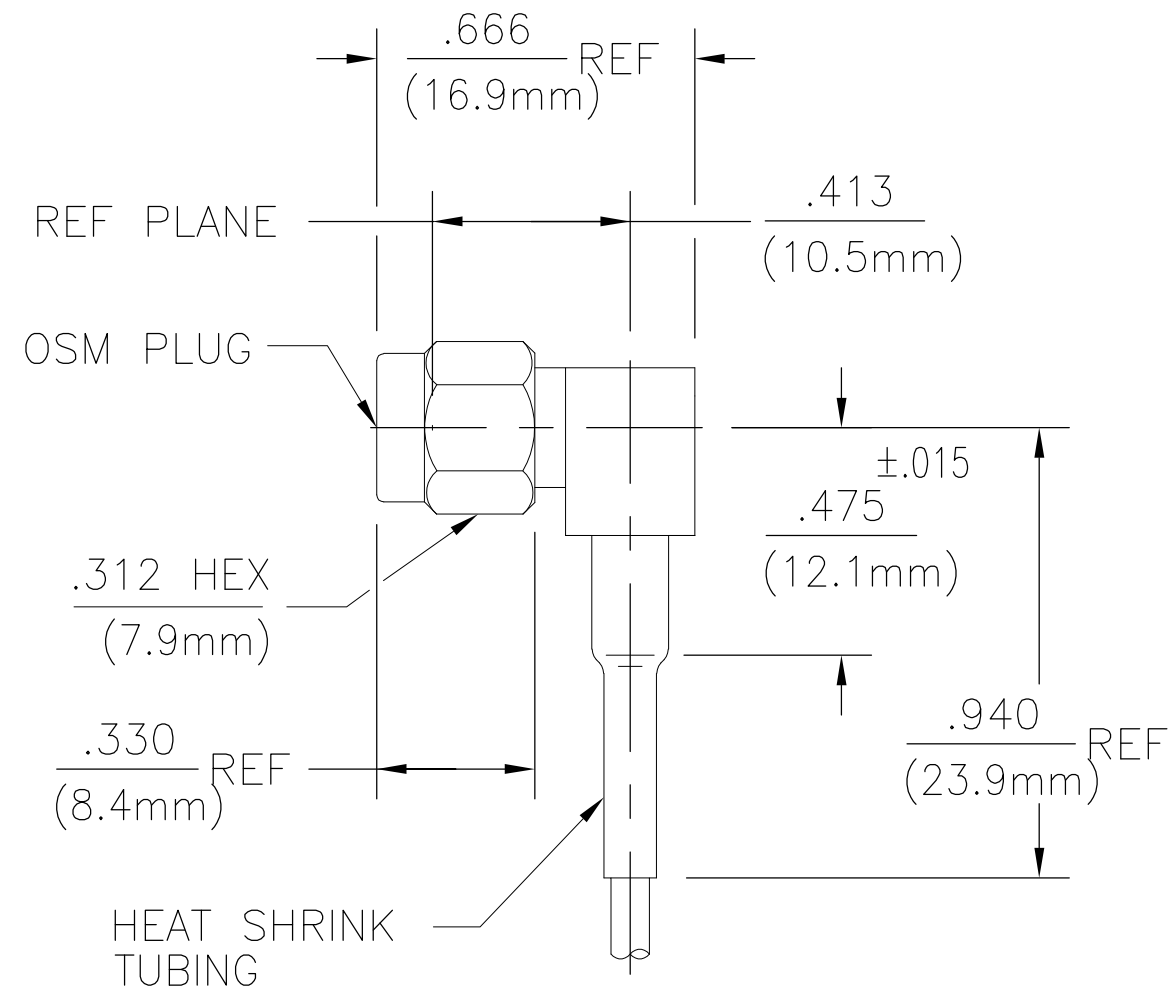


THIS DRAWING IS UNPUBLISHED. RELEASED FOR PUBLICATION
 © COPYRIGHT BY TYCO ELECTRONICS CORPORATION. ALL INTERNATIONAL RIGHTS RESERVED.

DESIGNED FOR USE WITH	RG178/U CABLE
CABLE ENTRY DIAMETER MINIMUM	
HOUSING	.036
CONTACT	.025

REVISONS		DATE	DWN	APVD
P	LTR			
B		03-09-07	DW	KW
C		02-25-09	AEG	JKO



- ① BRASS
- ② STAINLESS STEEL
- ③ BERYLLIUM COPPER
- ④ PTFE
- ⑤ GOLD PLATE
- ⑥ PASSIVATED
- ⑦ SILICONE RUBBER
- ⑧ NICKEL PLATE
- ⑨ POLYOLEFIN COMPOUND
- ⑩ BRASS OR COPPER

ELECTRICAL	MECHANICAL	ENVIRONMENTAL
Nominal Impedance (Ohms) <u>50</u>	Interface Dimensions MIL-STD-348A, Fig. 310.1	TEMPERATURE RATING <u>-65°C TO +165°C</u>
Frequency Range (GHz) DC to <u>12.4</u>	Recommended Mating	Vibration MIL-STD-202, Method 204, Condition D
Volt Rating (VRMS MAX) @ Sea Level <u>170</u>	Torque <u>7 to 10 In/Lbs</u>	Shock MIL-STD-202, Method 213, Condition I
VSWR <u>1.25 + .025 f(GHz)</u>	Force to Engage and Disengage (In/Lbs MAX) <u>2.0</u>	Thermal Shock MIL-STD-202, Method 107, Condition B, EXCEPT HIGH TEMP +85°C
Insertion Loss (db MAX) <u>.07 √f(GHz)</u>	Center Contact Captivation	Moisture Resistance MIL-STD-202, Method 106, Except Vibration
RF Leakage (dB MIN) <u>-[60 -f(GHz)]</u>	Axial (Lbs) <u>6.0</u>	Shall Be Omitted
Dielectric Withstanding Voltage (VRMS MIN) @ Sea Level <u>500</u>	Radial (In/Oz) <u>4.0</u>	Corrosion - MIL-STD-202, Method 101, Condition B, 5% salt spray
Contact Resistance (Milliohms MAX) Center Contact <u>2.0</u>	Cable Retention	
Outer Contact <u>2.0</u>	Axial Force (Lbs MIN) <u>20.0</u>	
Cable to Housing <u>0.5</u>	Weight (Grams) <u>4.6</u>	
RF High Potential @ Sea Level (VRMS MIN @ 5 MHz) <u>335</u>		
I.R.(Megohms MIN) <u>10,000</u>		

⑨	⑩⑤	①⑧	①⑧	③⑤	④	③	⑦	①⑧	1052098 -3
⑨	⑩⑤	②⑥	②⑥	③⑤	④	③	⑦	②⑥	1052098 -1
SHRINK TUBE	FERRULE	HOUSING	CAP	CONTACT	DIELECTRIC	RETAINING RING	GASKET	COUPLING NUT	TE PN
THIS DRAWING IS A CONTROLLED DOCUMENT.		DWN WK 7/1/77	Tyco Electronics Corporation Harrisburg, PA 17105-3608						
DIMENSIONS: INCHES		CHK KWW 7/18/77	NAME OSM RIGHT ANGLE CABLE PLUG-CRIMP ATTACHMENT						
TOLERANCES UNLESS OTHERWISE SPECIFIED:		APVD -	PRODUCT SPEC -						
0 PLC ± -		APVD -	APPLICATION SPEC -						
1 PLC ± -		WEIGHT -	SIZE A2 CAGE CODE 00779 DRAWING NO C=1052098 RESTRICTED TO -						
2 PLC ± -		CUSTOMER DRAWING							
3 PLC ± .005		SCALE 2:1	SHEET 1 of 1		REV C				
4 PLC ± -									
ANGLES ± 1°									
FINISH -									