

NOTES:

- MATERIALS:**
HOUSING - LIQUID CRYSTAL POLYMER (LCP), GLASS-FILLED, UL 94V-0, COLOR: BLACK
SIGNAL PIN & SHIELD - COPPER ALLOY
- FINISHES:**
CONTACT AREA: SELECTIVE GOLD (Au)
PCB TAILS: SELECTIVE MATTE TIN (Sn)
NICKEL (Ni) OVERALL.
- THIS PART CONFORMS TO MOLEX PRODUCT SPECIFICATION PS-74031-999
- FOR MIXED CONTACT LENGTHS CONSULT MOLEX FOR AVAILABILITY
- FOR SPECIFIC MATERIAL NUMBERS & MATING INFORMATION REFER TO SHEET 2
- PACKAGE PER PK-74061-003
- MARK PART WITH PART NUMBER & DATE CODE APPROXIMATELY WHERE SHOWN
- MAPS (MOLEX ADVANCED PLATING SYSTEM).

THE PRIMARY CARTON WITH A LABEL STATING "ELV AND RoHS COMPLAINT" IS LEAD FREE. CARTONS WITHOUT THIS LABEL MAY CONTAIN LEAD.

LEAD FREE CONVERSION EC NO: UCP2013-0687 DRAWINGS: 2012/08/23 CHKD:MMOLFE 2012/11/26 APPR:SMILLER 2012/12/14	QUALITY SYMBOLS ▽=0 ▽=0 ▽=0	GENERAL TOLERANCES (UNLESS SPECIFIED)		DIMENSION STYLE MM ONLY	SCALE 2.5:1	DESIGN UNITS METRIC	THIRD ANGLE PROJECTION
		mm	INCH	DRAWN BY MWANG	DATE 1998/11/12	TITLE VHDM 8 ROW SHIELD END BACKPLANE SALES ASSEMBLY	
P	DESCRIPTION	4 PLACES	± --- ± ---	CHECKED BY JLAURX	DATE 1998/11/12	molex	DOCUMENT NO. SD-74062-002
		3 PLACES	± --- ± ---	APPROVED BY CBIXLER	DATE 1998/11/12		
		2 PLACES	± --- ± ---	MATERIAL NO. SEE SHEET 2			
		1 PLACE	± --- ± ---	ANGULAR ±1/2°			
		0 PLACE	± --- ± ---	DRAFT WHERE APPLICABLE MUST REMAIN WITHIN DIMENSIONS			
				SIZE C		THIS DRAWING CONTAINS INFORMATION THAT IS PROPRIETARY TO MOLEX INCORPORATED AND SHOULD NOT BE USED WITHOUT WRITTEN PERMISSION	

M/N 74062-()	---0*	---1*	---2*	---3*	---4*	---5*	---6*	---7*	---8*	---9*
KEYING PIN ORIENTATION										

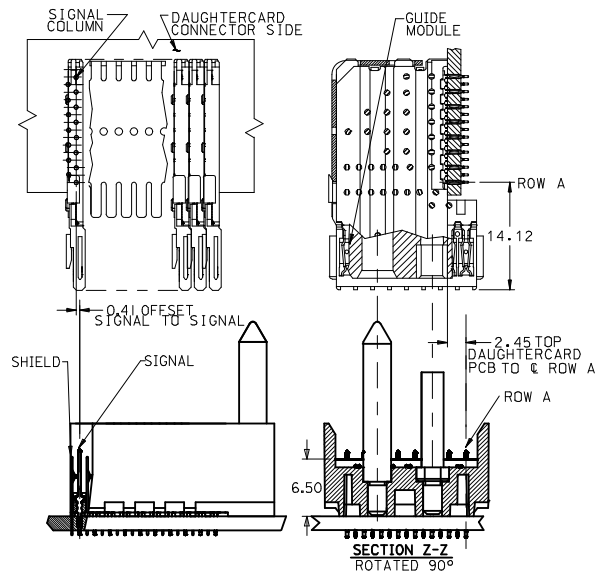
NO GUIDE PIN
NO KEYING PIN

74062 - * * * *

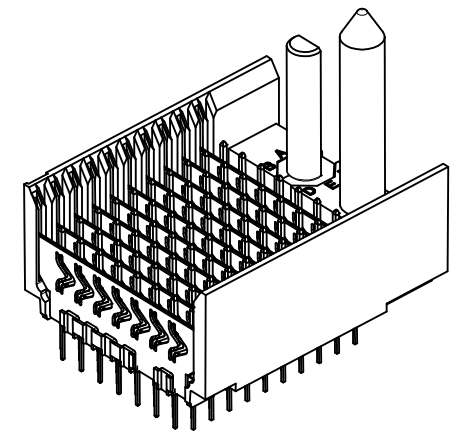
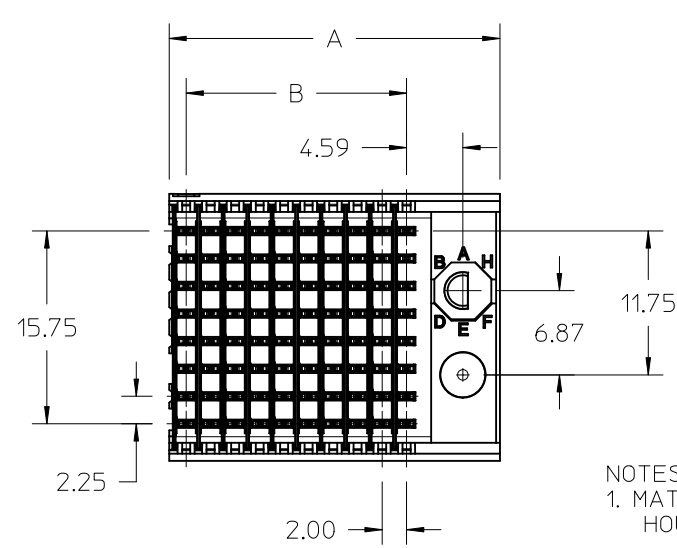
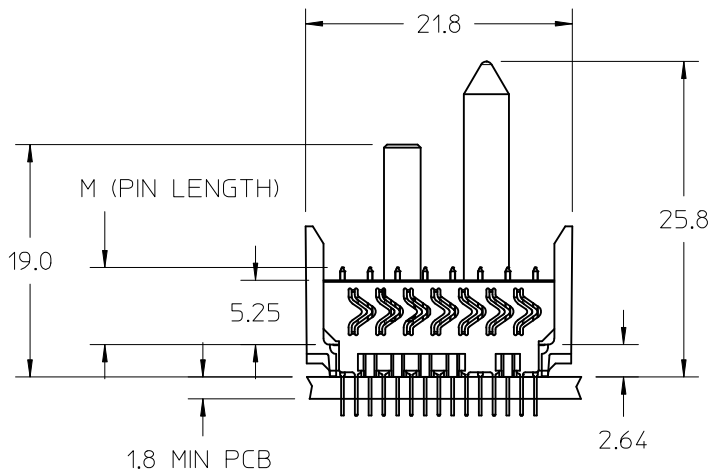
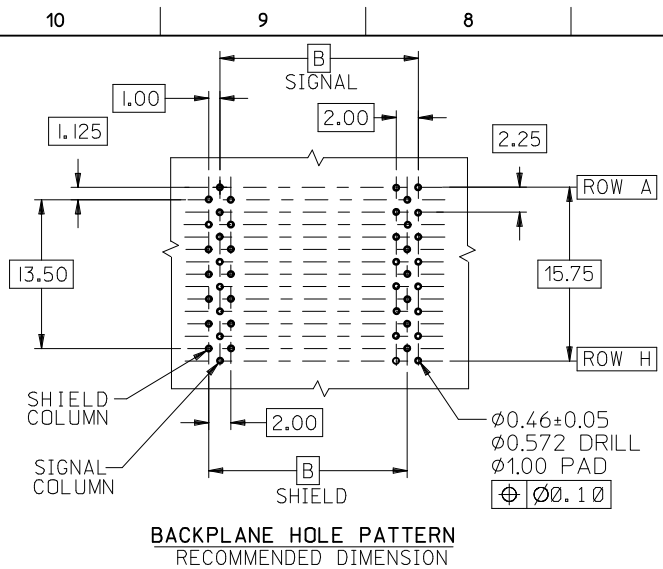
NUMBER OF COLUMNS/PLATING
 10 = 10 COLUMN MATTE TIN (FORMERLY TIN/LEAD)
 25 = 25 COLUMN MATTE TIN (FORMERLY TIN/LEAD)
 60 = 10 COLUMN MATTE TIN (MAPS)
 75 = 25 COLUMN MATTE TIN (MAPS)
 90 = 10 COLUMN MATTE TIN
 85 = 25 COLUMN MATTE TIN

PIN HEIGHT
 1 & 6 = 4.75
 2 & 7 = 6.25
 3 & 8 = 4.25
 4 & 9 = 5.15

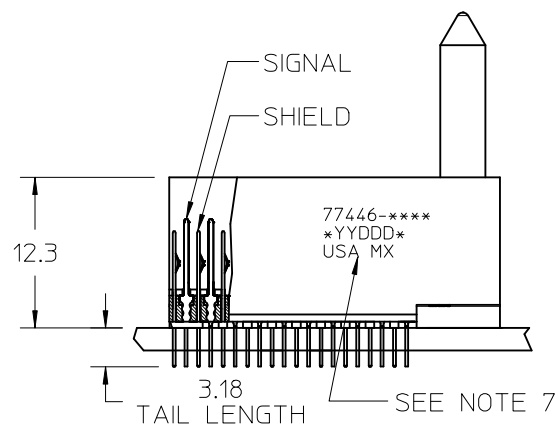
PART NUMBER	COLUMN	NUMBER OF SIGNAL PIN	NUMBER OF SHIELD	A	B	M	GOLD THICKNESS MICROMETER	TIN THICKNESS MICROMETER
74062-60*1								
74062-*0*1	10	80	10	27.00	18.00	4.75	0.25 MAPS	0.76-1.52
74062-*0*6							0.76	
74062-75*1							1.27	
74062-*5*1	25	200	25	57.00	48.00	6.25	0.25 MAPS	
74062-*5*6							0.76	
74062-60*2							1.27	
74062-*0*2	10	80	10	27.00	18.00	4.25	0.25 MAPS	
74062-*0*7							0.76	
74062-75*2							1.27	
74062-*5*2	25	200	25	57.00	48.00	5.15	0.25 MAPS	
74062-*5*7							0.76	
74062-60*3							1.27	
74062-*0*3	10	80	10	27.00	18.00	4.75	0.25 MAPS	
74062-*0*8							0.76	
74062-75*3							1.27	
74062-*5*3	25	200	25	57.00	48.00	6.25	0.25 MAPS	
74062-*5*8							0.76	
74062-60*4							1.27	
74062-*0*4	10	80	10	27.00	18.00	5.15	0.25 MAPS	
74062-*0*9							0.76	
74062-75*4							1.27	
74062-*5*4	25	200	25	57.00	48.00	4.75	0.25 MAPS	
74062-*5*9							0.76	



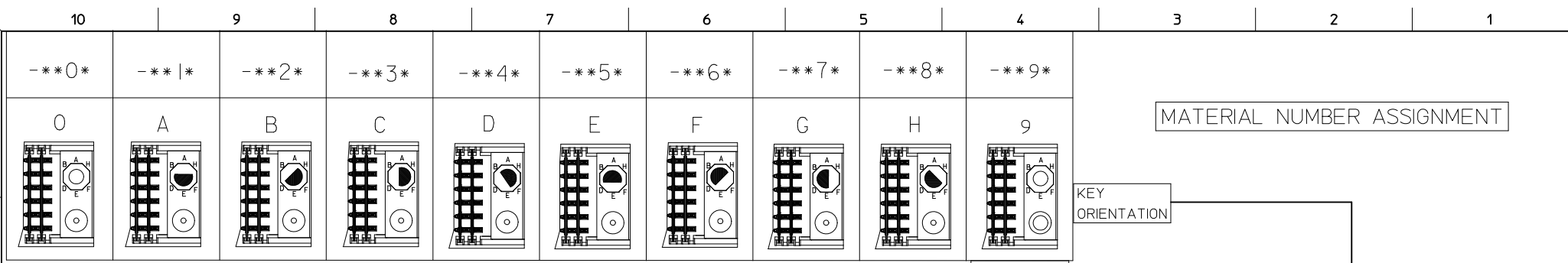
SEE SHEET 1 EC NO: UCP2013-0687 DRAWINGS 2012/08/23 CHKD:MMOLFE 2012/11/26 APPR:SMILLER 2012/12/14 REV:	QUALITY SYMBOLS	GENERAL TOLERANCES (UNLESS SPECIFIED)	DIMENSION STYLE MM ONLY	SCALE 2.5:1	DESIGN UNITS METRIC	THIRD ANGLE PROJECTION
	▽=0	mm INCH	DRAWN BY DATE MWANG 1998/11/12	VHDM 8 ROW SHIELD END BACKPLANE SALES ASSEMBLY SD-74062-002 SHEET NO. 2 OF 2		
	▽=0	4 PLACES ± --- ± ---	CHECKED BY DATE JLAURX 1998/11/12			
	▽=0	3 PLACES ± --- ± ---	APPROVED BY DATE CBIXLER 1998/11/12			
	▽=0	2 PLACES ± --- ± ---	MATERIAL NO.			
▽=0	1 PLACE ± --- ± ---	DOCUMENT NO.				
		0 PLACE ± --- ± ---	SIZE C	THIS DRAWING CONTAINS INFORMATION THAT IS PROPRIETARY TO MOLEX. INCORPORATED AND SHOULD NOT BE USED WITHOUT WRITTEN PERMISSION		
		ANGULAR ±1/2°	DRAFT WHERE APPLICABLE MUST REMAIN WITHIN DIMENSIONS			



- NOTES:
- MATERIALS:
HOUSING - LIQUID CRYSTAL POLYMER (LCP),
GLASS-FILLED, UL 94V-0, COLOR: BLACK
SIGNAL PIN & SHIELD - COPPER ALLOY
 - FINISHES: CONTACT AREA: SELECTIVE GOLD (Au)
0.25 OR 0.76 MICROMETERS MINIMUM
PCB TAILS: SELECTIVE MATTE TIN (Sn)
2.54 MICROMETERS MINIMUM; NICKEL (Ni) OVERALL.
 - THIS PART CONFORMS TO MOLEX PRODUCT SPECIFICATION PS-74031-999
 - FOR MIXED CONTACT LENGTHS CONSULT MOLEX FOR AVAILABILITY
 - FOR SPECIFIC MATERIAL NUMBERS & MATING INFORMATION REFER TO SHEET 2
 - PACKAGE PER PK-74061-003
 - MARK PART WITH PART NUMBER & DATE CODE APPROXIMATELY WHERE SHOWN
 - THIS PART CONFORMS TO CLASS "B" REQUIREMENTS OF MOLEX COSMETIC SPECIFICATION PS-45499-002.
 - MAPS (MOLEX ADVANCED PLATING SYSTEM)



CHG TABLE EC NO: UCP2012-4000 DRWN: MWOLFE 2012/06/05 CHKD: MORGAN 2012/06/05 APPR: SMILLER 2012/06/07	QUALITY SYMBOLS $\nabla F=0$ $\nabla E=0$ $\nabla D=0$	GENERAL TOLERANCES (UNLESS SPECIFIED)		DIMENSION STYLE		SCALE	DESIGN UNITS	THIRD ANGLE PROJECTION	
				MM ONLY		2.5:1	METRIC		
						DRAWN BY DATE		TITLE	
B REV	DESCRIPTION	ANGULAR $\pm 1/2^\circ$		DRAWN BY DATE		DRAWN BY DATE		DRAWN BY DATE	
		DRAFT WHERE APPLICABLE MUST REMAIN WITHIN DIMENSIONS		CHECKED BY DATE		CHECKED BY DATE		CHECKED BY DATE	
				APPROVED BY DATE		APPROVED BY DATE		APPROVED BY DATE	
				MATERIAL NO.		DOCUMENT NO.		SHEET NO.	
				SEE TABLE		SD-77446-001		1 OF 2	
				SIZE B		THIS DRAWING CONTAINS INFORMATION THAT IS PROPRIETARY TO MOLEX INCORPORATED AND SHOULD NOT BE USED WITHOUT WRITTEN PERMISSION			



MATERIAL NUMBER ASSIGNMENT

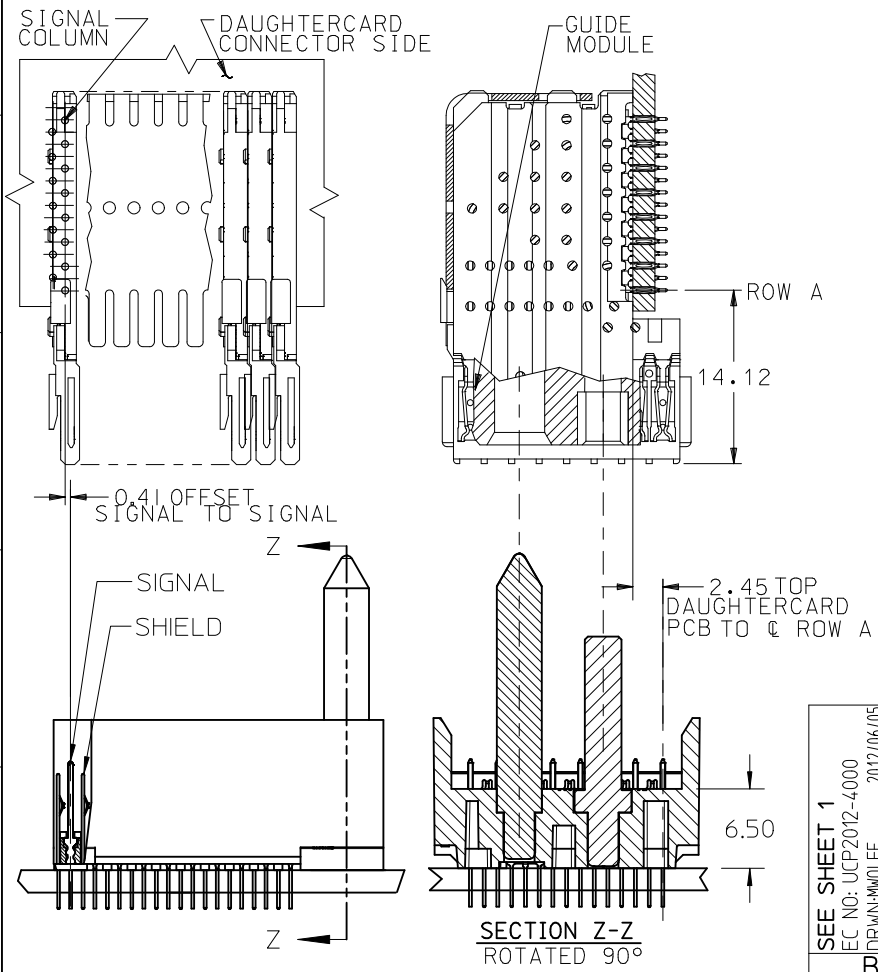
KEY ORIENTATION

NO GUIDE PIN
NO KEYING PIN

77446-****

NUMBER OF COLUMNS/PLATING
 70 = 10 COLUMN MATTE TIN 0.25µm GOLD
 75 = 25 COLUMN MATTE TIN 0.25µm GOLD
 90 = 10 COLUMN MATTE TIN 0.76µm GOLD
 85 = 25 COLUMN MATTE TIN 0.76µm GOLD

PIN HEIGHT
 1 = 4.75
 2 = 6.25
 3 = 4.25
 4 = 5.15



PART NUMBER	PIN LENGTH (M)	COLUMN	NUMBER OF SIGNALS	NUMBER OF SHIELDS	A	B	GOLD (µm) THICKNESS
77446-70**	LAST *	10	60	10	20.00	18.00	0.25 MAPS (SEE NOTE 9)
77446-75**	* = 1 - 4 1 = 4.75	25	150	25	50.00	48.00	
77446-90**	2 = 6.25 3 = 4.25	10	60	10	20.00	18.00	0.76
77446-85**	4 = 5.15	25	150	25	50.00	48.00	

SEE SHEET 1 EC NO: UCP2012-4000 DRWN: MWOLFE 2012/06/05 CHKD: DMORGAN 2012/06/05 APPR: SMILLER 2012/06/07 B	QUALITY SYMBOLS $\nabla/0$ $\nabla/0$ $\nabla/0$	GENERAL TOLERANCES (UNLESS SPECIFIED) mm INCH 4 PLACES ± --- ± --- 3 PLACES ± --- ± --- 2 PLACES ± 0.25 ± --- 1 PLACE ± 0.38 ± --- 0 PLACE ± --- ± --- ANGULAR ± 1/2° DRAFT WHERE APPLICABLE MUST REMAIN WITHIN DIMENSIONS	DIMENSION STYLE MM ONLY DRAWN BY DATE MWOLFE 2012/04/24 CHECKED BY DATE SDANNELLEY 2012/04/24 APPROVED BY DATE SMILLER 2012/04/27	SCALE 2.5:1 DESIGN UNITS METRIC THIRD ANGLE PROJECTION	TITLE VHDM 8 ROW SHIELD END SOLDER TAIL BACKPLANE SALES DRAWING molex	MATERIAL NO. SEE TABLE	DOCUMENT NO. SD-77446-001	SHEET NO. 2 OF 2
	THIS DRAWING CONTAINS INFORMATION THAT IS PROPRIETARY TO MOLEX INCORPORATED AND SHOULD NOT BE USED WITHOUT WRITTEN PERMISSION							