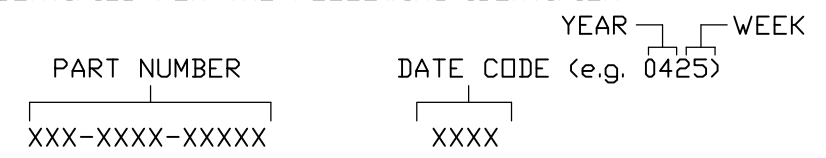


THIS DRAWING IS UNPUBLISHED. RELEASED FOR PUBLICATION  
 © COPYRIGHT 2006 BY TYCO ELECTRONICS CORPORATION. ALL RIGHTS RESERVED.

LOC		DIST		REVISIONS					
GP		00		P	LTR	DESCRIPTION	DATE	DWN	APVD
					B	REVISED PER ECO-06-030075	DO	GIP	DO

8. ITEMS PROVIDED TO THIS SPECIFICATION TO BE PERMANENTLY IDENTIFIED PER THE FOLLOWING IDENTIFIER:



9. PART NUMBER INFORMATION

CONNECTOR	TYCO PART NUMBER	TERMINATION TYPE	PC TAIL LENGTH DIM "A"	RECOMMENDED MOUNTING BOARD	MATING BOARD
SOCKET	6643460-1	SOLDER TAIL (SHORT)	3.56 [.140] 2.54 [.100]	1.6 [.062] THICK	1.6 [.062] THICK
SOCKET	6643460-2	SOLDER TAIL (STANDARD)	5.08 [.200] 4.06 [.160]	3.2 [.125] OR THINNER	1.6 [.062] THICK
SOCKET	6643460-3	COMPLIANT TAIL	5.08 [.200] 4.06 [.160]	2.3 [.093] OR THICKER	1.6 [.062] THICK

7. RECOMMENDED PRESSING TOOL:  
 FIX00058 FOR PART NUMBER 285-0112-01300.  
 CONTACT ELCON FOR TOOLING QUOTE OR TO ORDER.

- 6. EXAMPLE PCB CONFIGURATION.
- 5. THIS 2X2 SEGMENT POWER AND SIGNAL CONFIGURATION SHOWN IS FOR REFERENCE ONLY. COMBINATION OF MULTIPLE NUMBERS OF 2 AND 3 SEGMENT MODULES COULD BE USED PER USER PREFERENCE. OVERALL COMBINATION SHOULD NOT EXCEED 8.0" IN LENGTH.
- 4. SOCKETS ACCEPT 1.6 [.062] ±10% THICK PC BOARD.

3. FINISHES:  
 CONTACTS: SELECTIVE GOLD .000030" MIN THK OVER NICKEL .000040" MIN THK.  
 TERMINALS: TIN PLATE, MATTE FINISH, .000100" MINIMUM THICKNESS

2. MATERIALS:  
 INSULATORS: THERMOPLASTIC, GLASS REINFORCED, COLOR-BLACK, UL94V-0 FLAMMABILITY RATED.  
 CONTACTS: PHOSPHOR BRONZE ALLOY

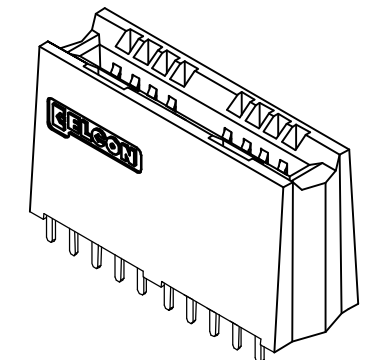
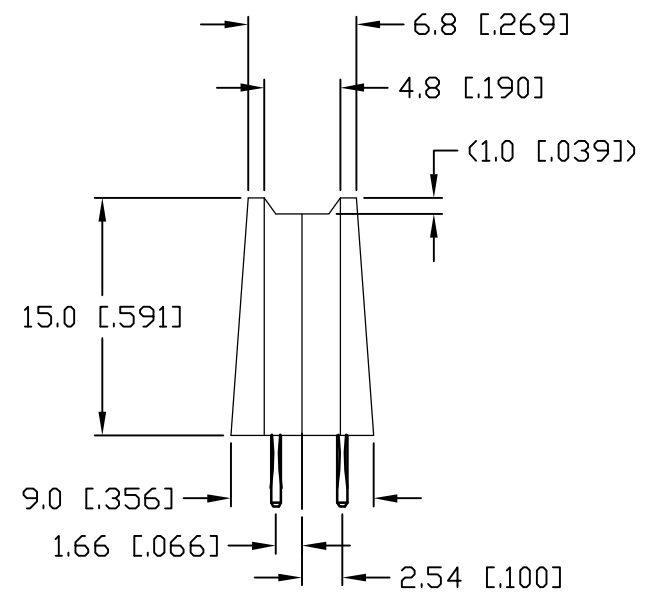
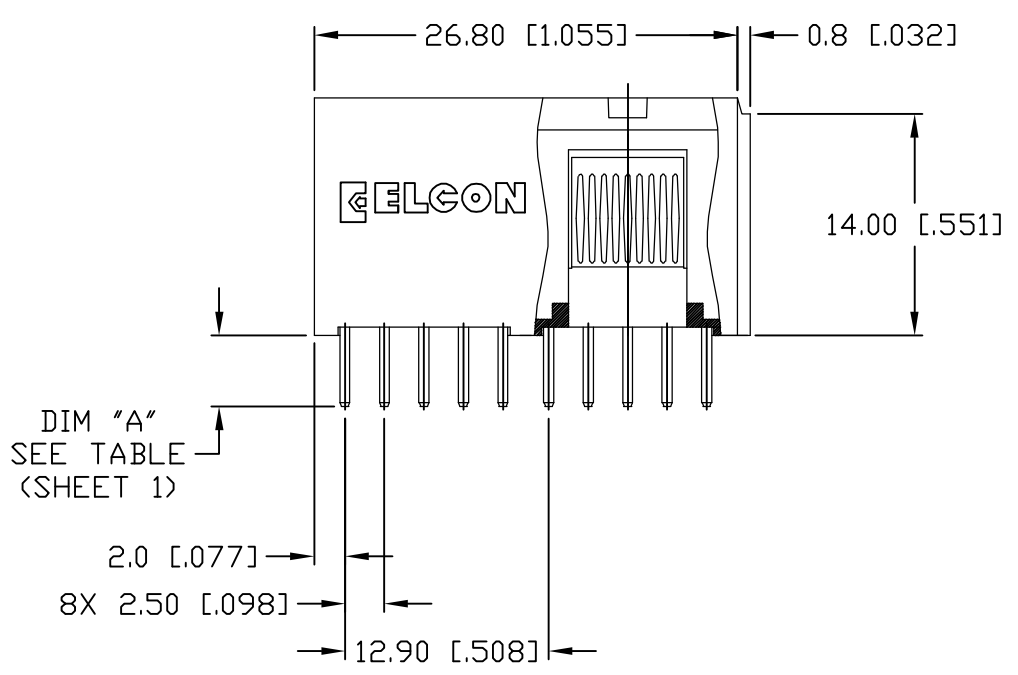
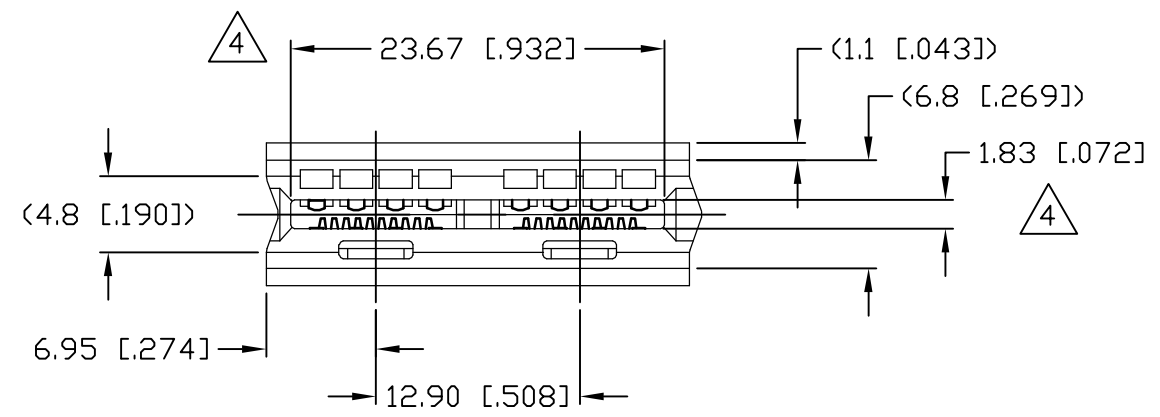
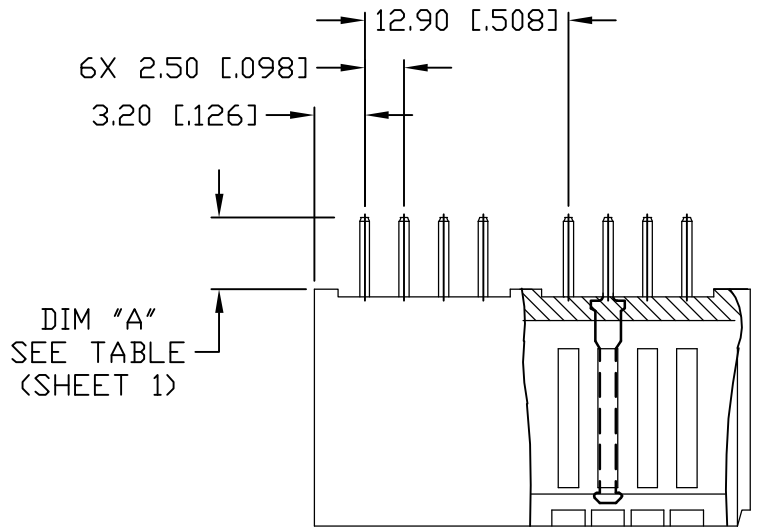
1. PART NUMBER CHANGES AND OR DESIGN CHANGES AFFECTING ITEM INTERCHANGEABILITY REQUIRE PRIOR ELCON APPROVAL AND AUTHORIZATION BY REVISION TO THIS DRAWING.

NOTES: UNLESS OTHERWISE SPECIFIED;

THIS DRAWING IS A CONTROLLED DOCUMENT.		DWN G.PETERS 04JAN2007	Tyco Electronics Corporation Harrisburg, PA 17105-3608				
DIMENSIONS: mm		CHK D.ORRIS 04JAN2007					
		APVD S.FLICKINGER 04JAN2007	NAME SOCKET CONNECTOR, CROWN EDGE				
TOLERANCES UNLESS OTHERWISE SPECIFIED: 0 PLC ± - 1 PLC ± .5 [.010] 2 PLC ± .25 [.020] 3 PLC ± - 4 PLC ± - ANGLES ± .5		PRODUCT SPEC -	APPLICATION SPEC -				
MATERIAL -		FINISH -	WEIGHT -	SIZE A3	CAGE CODE 00779	DRAWING NO G-6643460	RESTRICTED TO -
CUSTOMER DRAWING				SCALE 1:1	SHEET 1 OF 6	REV B	

THIS DRAWING IS UNPUBLISHED. RELEASED FOR PUBLICATION  
 © COPYRIGHT 2006 BY TYCO ELECTRONICS CORPORATION. ALL RIGHTS RESERVED.

LOC	DIST	REVISIONS					
GP	00	P	LTR	DESCRIPTION	DATE	DWN	APVD
		-	-	SEE SHEET 1	-	-	-

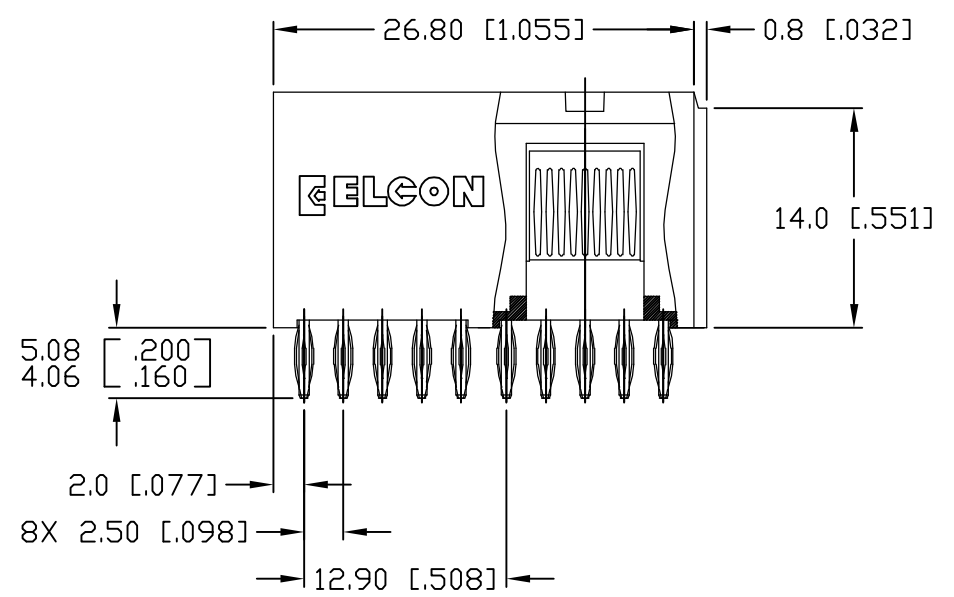
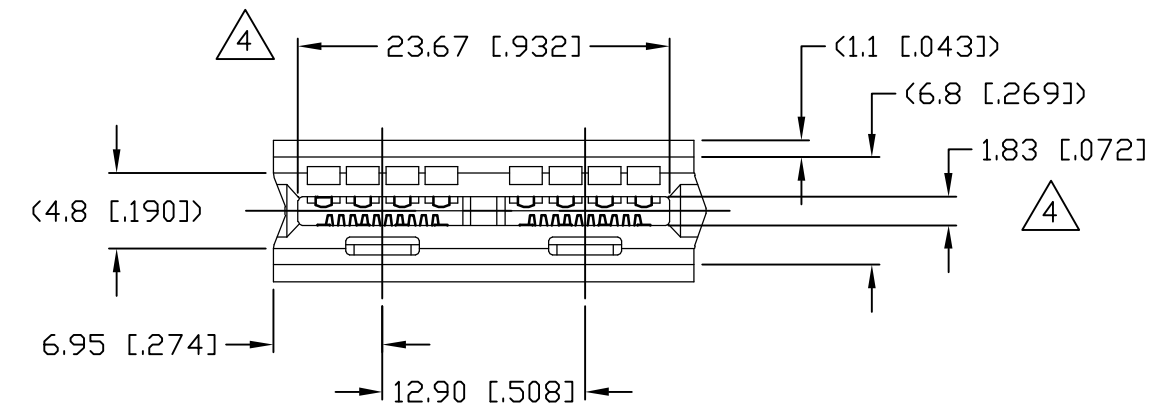
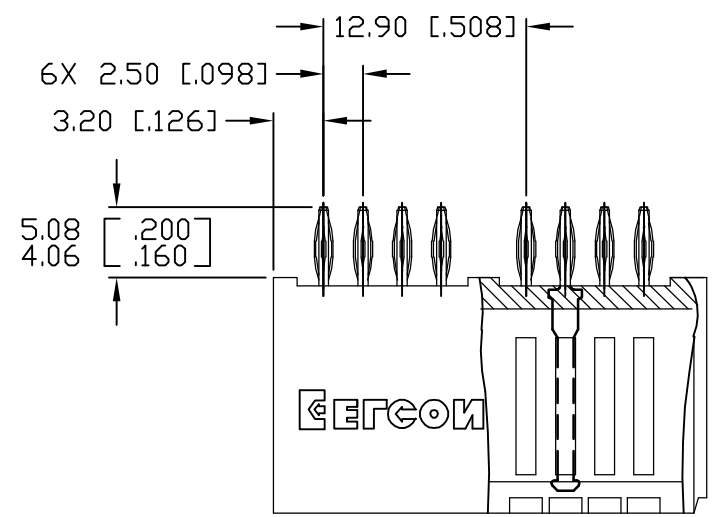


VIEW SHOWN (SOLDER TAILS)  
 P/N'S 6643460-1 & -2

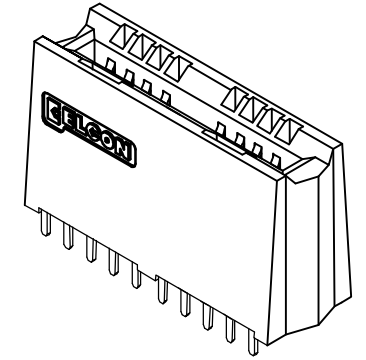
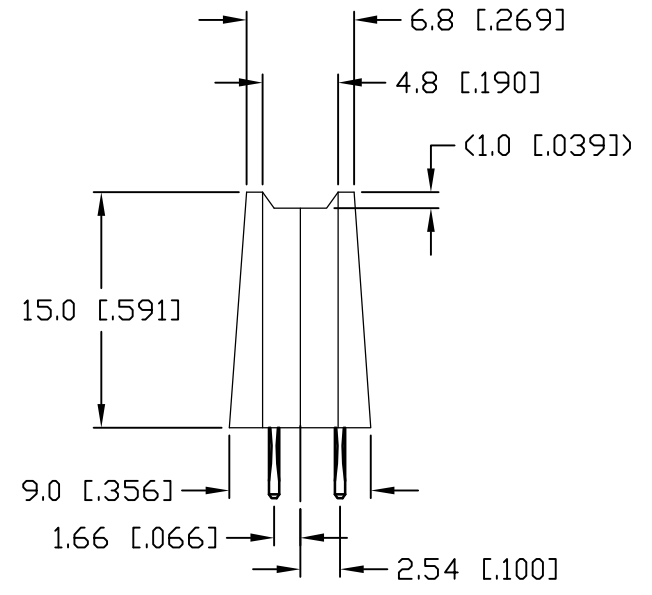
THIS DRAWING IS A CONTROLLED DOCUMENT.		DWN G.PETERS 04JAN2007	Tyco Electronics Corporation Harrisburg, PA 17105-3608			
DIMENSIONS: mm		CHK D.ORRIS 04JAN2007				
TOLERANCES UNLESS OTHERWISE SPECIFIED:		APVD S.FLICKINGER 04JAN2007	NAME			
0 PLC ± - 1 PLC ± .5 [0.010] 2 PLC ± .25 [0.020] 3 PLC ± - 4 PLC ± - ANGLES ± .5		PRODUCT SPEC	SOCKET CONNECTOR, CROWN EDGE			
MATERIAL		APPLICATION SPEC	SIZE	CAGE CODE	DRAWING NO	RESTRICTED TO
FINISH		WEIGHT	A3	00779	C-6643460	-
CUSTOMER DRAWING			SCALE 1:1	SHEET 2 OF 6	REV B	

THIS DRAWING IS UNPUBLISHED. RELEASED FOR PUBLICATION  
 © COPYRIGHT 2006 BY TYCO ELECTRONICS CORPORATION. ALL RIGHTS RESERVED.

LOC	DIST	REVISIONS					
GP	00	P	LTR	DESCRIPTION	DATE	DWN	APVD
		-	-	SEE SHEET 1	-	-	-



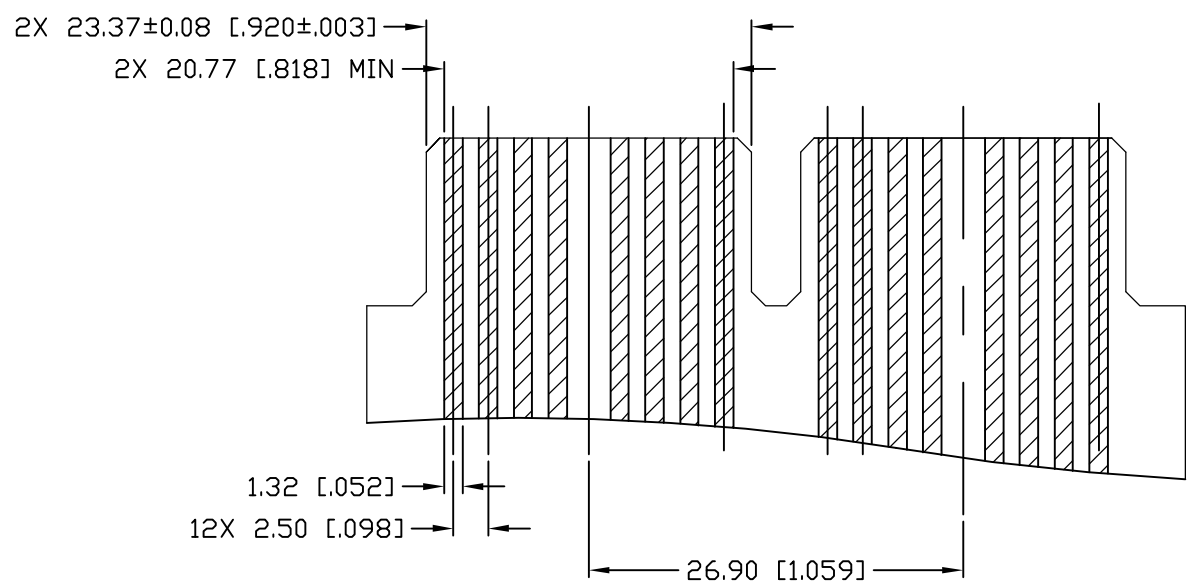
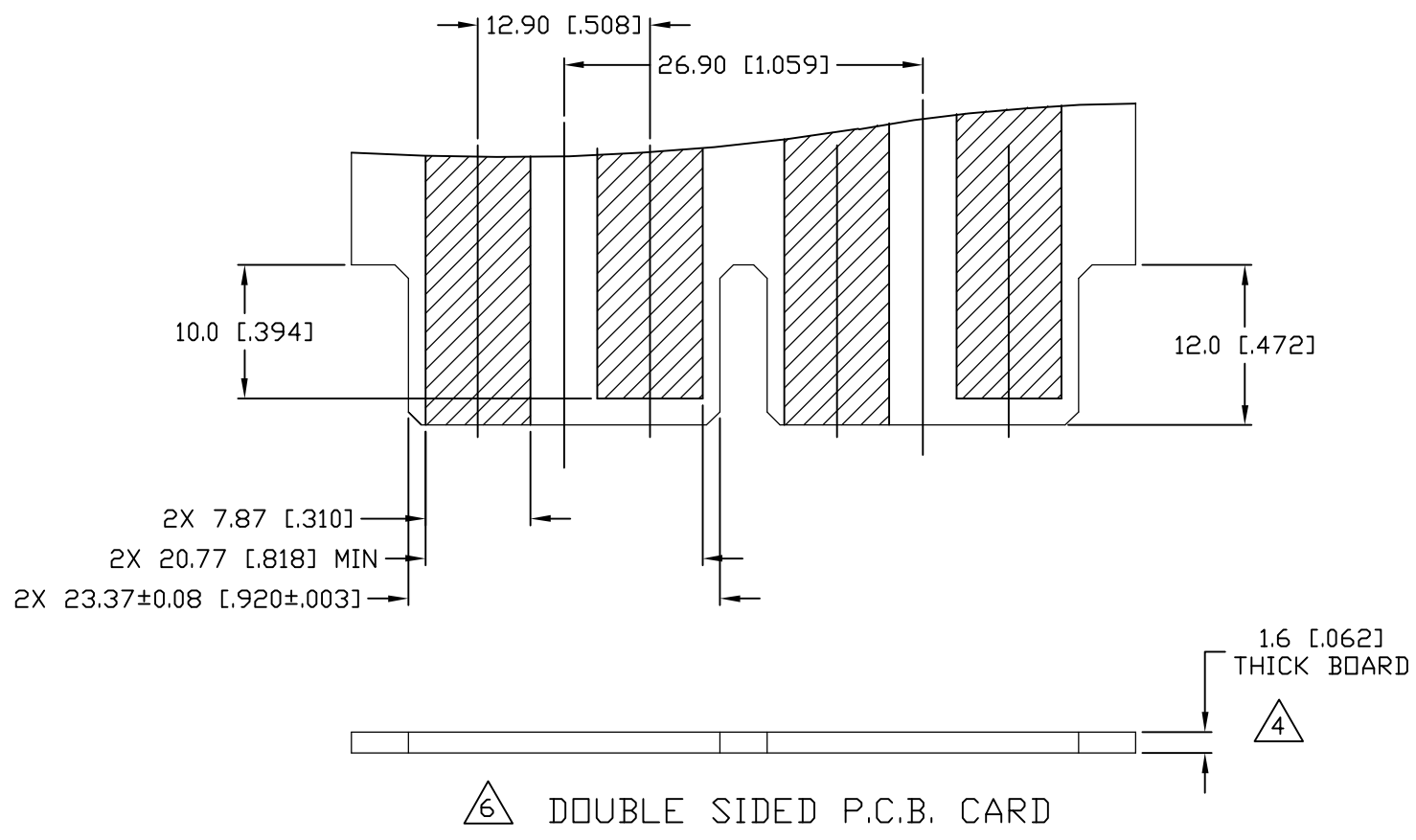
VIEW SHOWN (COMPLIANT TAILS)  
 P/N'S 6643460-3



THIS DRAWING IS A CONTROLLED DOCUMENT.		DWN G.PETERS 04JAN2007	Tyco Electronics Corporation Harrisburg, PA 17105-3608	
DIMENSIONS: mm		CHK D.ORRIS 04JAN2007		
TOLERANCES UNLESS OTHERWISE SPECIFIED:		APVD S.FLICKINGER 04JAN2007	NAME	
0 PLC ± - 1 PLC ± .5 [0.010] 2 PLC ± .25 [0.020] 3 PLC ± - 4 PLC ± - ANGLES ± .5		PRODUCT SPEC -	SOCKET CONNECTOR, CROWN EDGE	
MATERIAL -		FINISH -	APPLICATION SPEC -	RESTRICTED TO -
		WEIGHT -	SIZE A3	CAGE CODE 00779
		CUSTOMER DRAWING	DRAWING NO C-6643460	RESTRICTED TO -
			SCALE 1:1	SHEET 3 OF 6
				REV B

THIS DRAWING IS UNPUBLISHED. RELEASED FOR PUBLICATION  
 © COPYRIGHT 2006 BY TYCO ELECTRONICS CORPORATION. ALL RIGHTS RESERVED.

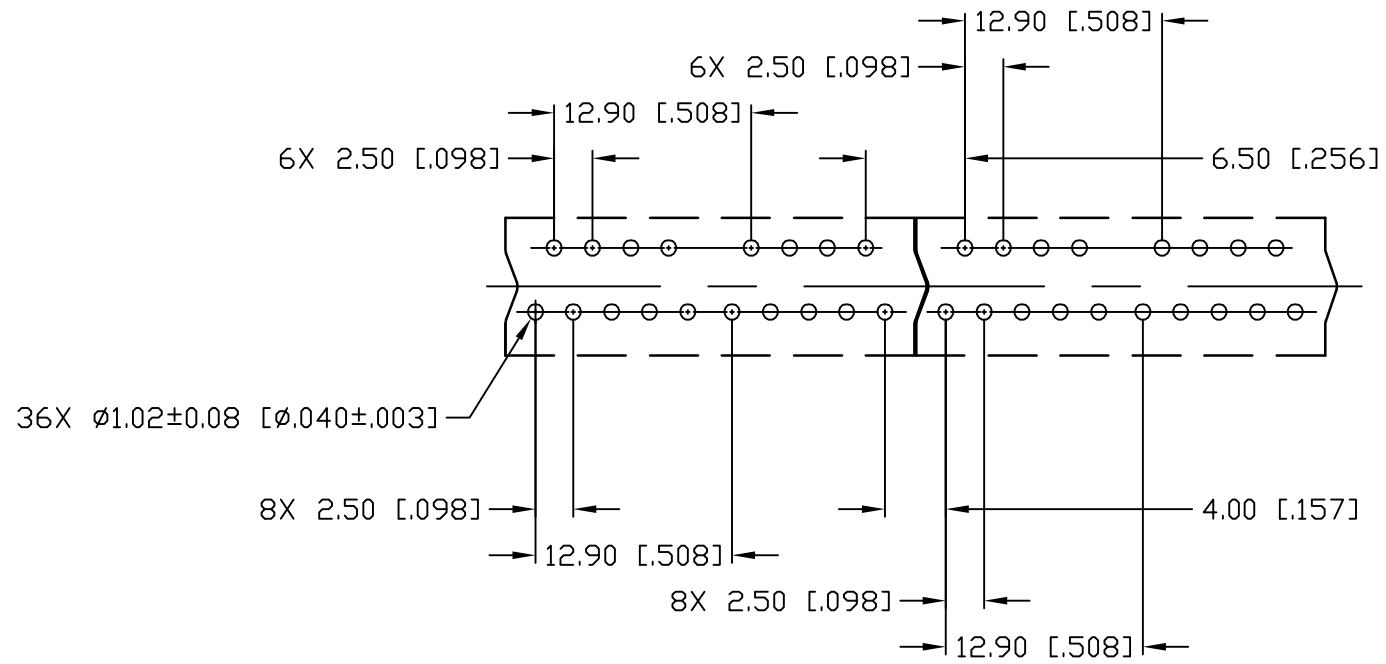
LOC	DIST	REVISIONS					
GP	00	P	LTR	DESCRIPTION	DATE	DWN	APVD
				SEE SHEET 1			



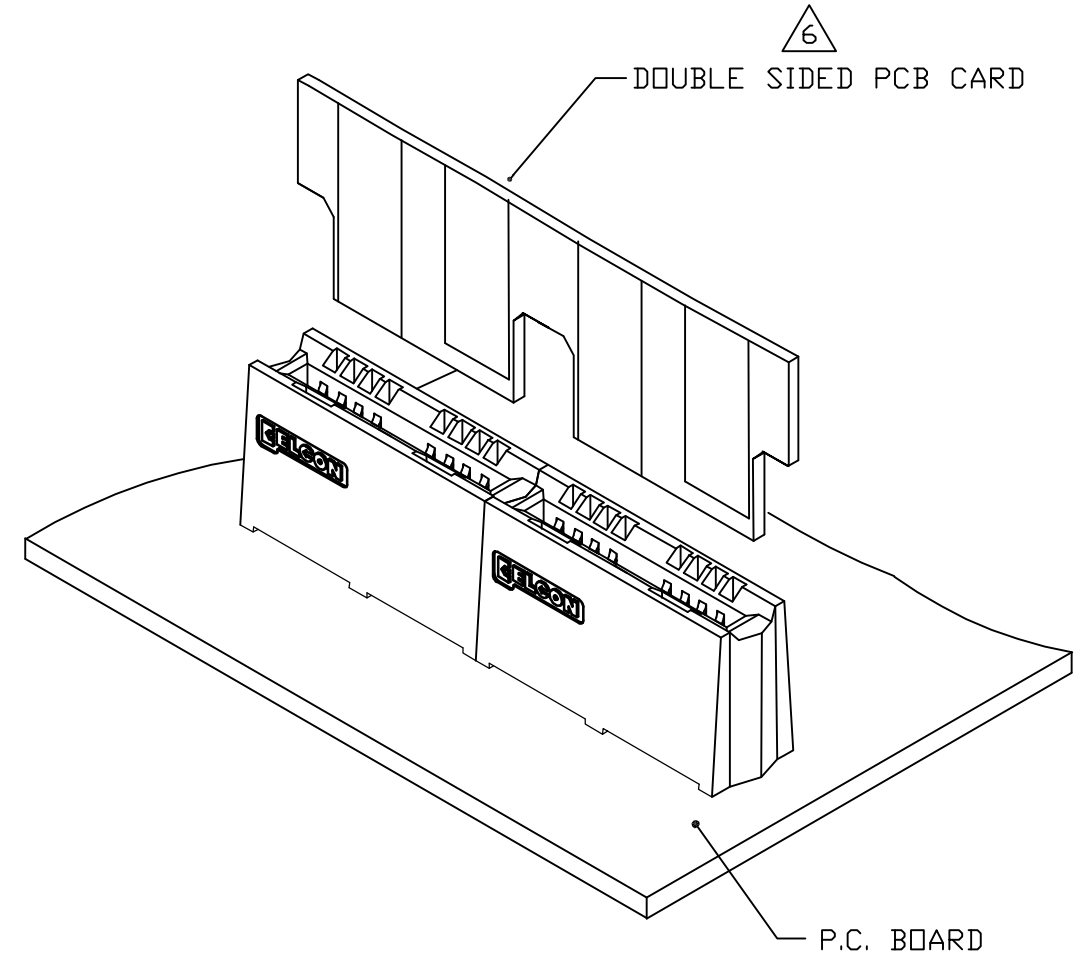
THIS DRAWING IS A CONTROLLED DOCUMENT.		DWN	G.PETERS	04JAN2007	 Tyco Electronics Corporation Harrisburg, PA 17105-3608
DIMENSIONS: mm		CHK	D.ORRIS	04JAN2007	
		APVD	S.FLICKINGER	04JAN2007	
TOLERANCES UNLESS OTHERWISE SPECIFIED:		PRODUCT SPEC		NAME	
0 PLC ± -		-		SOCKET CONNECTOR, CROWN EDGE	
1 PLC ± .5 [.010]		APPLICATION SPEC		-	
2 PLC ± .25 [.020]		-		SIZE	A3
3 PLC ± -		WEIGHT		CAGE CODE	00779
4 PLC ± -		-		DRAWING NO	C-6643460
ANGLES ± .5		-		RESTRICTED TO	-
FINISH		-		SCALE	1:1
MATERIAL		-		SHEET	4 OF 6
-		-		REV	B
-		CUSTOMER DRAWING			

THIS DRAWING IS UNPUBLISHED. RELEASED FOR PUBLICATION  
 © COPYRIGHT 2006 BY TYCO ELECTRONICS CORPORATION. ALL RIGHTS RESERVED.

LOC	DIST	REVISIONS			
P	LTR	DESCRIPTION	DATE	DWN	APVD
GP	00	SEE SHEET 1	-	-	-



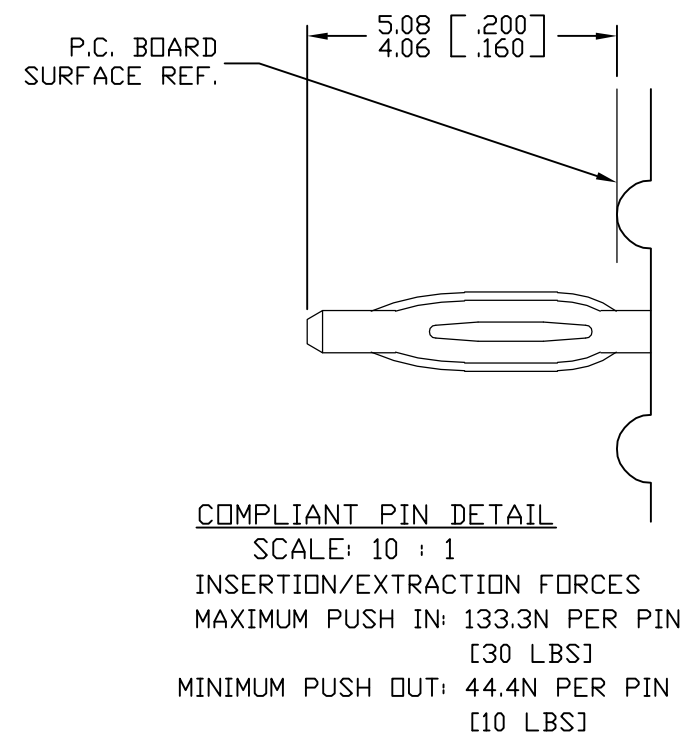
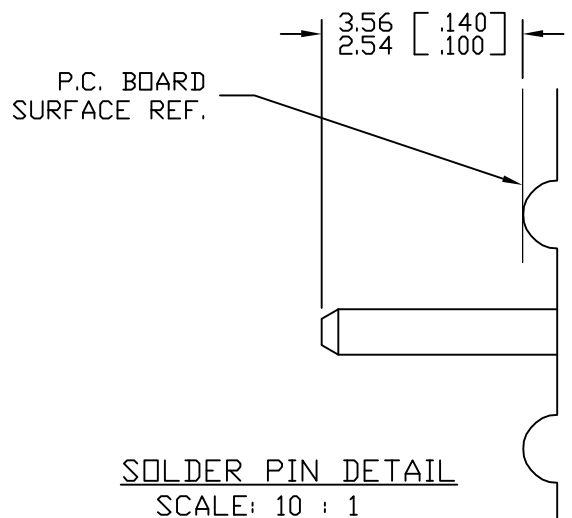
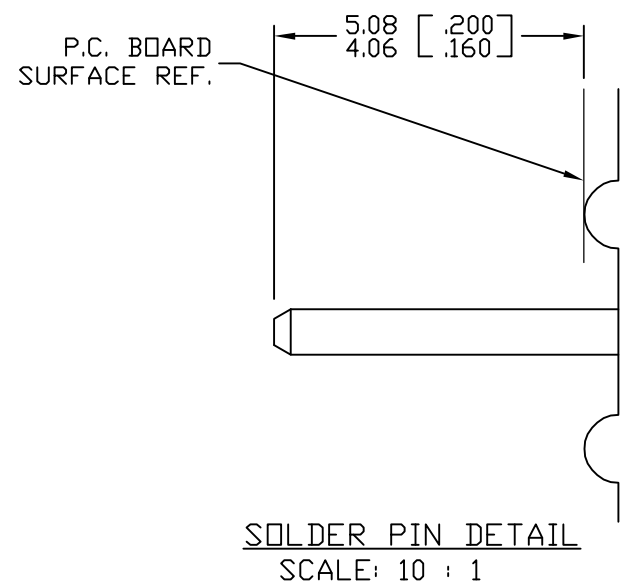
5 RECOMMENDED P.C. BOARD LAYOUT



THIS DRAWING IS A CONTROLLED DOCUMENT.		DWN G.PETERS	04JAN2007	Tyco Electronics Corporation Harrisburg, PA 17105-3608	
DIMENSIONS: mm		CHK D.ORRIS	04JAN2007		
TOLERANCES UNLESS OTHERWISE SPECIFIED:		APVD S.FLICKINGER	04JAN2007	NAME	
0 PLC ± - 1 PLC ± .5 [.010] 2 PLC ± .25 [.020] 3 PLC ± - 4 PLC ± - ANGLES ± .5		PRODUCT SPEC		SOCKET CONNECTOR, CROWN EDGE	
MATERIAL		APPLICATION SPEC		SIZE	RESTRICTED TO
FINISH		WEIGHT		A3	-
		CUSTOMER DRAWING		CAGE CODE 00779	DRAWING NO C-6643460
				SCALE 1:1	SHEET 5 OF 6
				REV B	

THIS DRAWING IS UNPUBLISHED. RELEASED FOR PUBLICATION  
 © COPYRIGHT 2006 BY TYCO ELECTRONICS CORPORATION. ALL RIGHTS RESERVED.

LOC	DIST	REVISIONS			
P	LTR	DESCRIPTION	DATE	DWN	APVD
GP	00	SEE SHEET 1	-	-	-



RECOMMENDED PRINTED CIRCUIT HOLE  
 SOLDER OR COMPLIANT PRESS FIT  
 FINISHED HOLE:  $\phi 1.02$  [.040]  $\pm 0.08$  [.003]  
 DRILLED HOLE:  $\phi 1.15$  [.0453]  $\pm 0.013$  [.0005]  
 COPPER PLATE: .025 [.0010] MINIMUM (PER SURFACE)  
 TIN PLATE: .008 [.0003] MINIMUM (PER SURFACE)

THIS DRAWING IS A CONTROLLED DOCUMENT.		DWN G.PETERS 04JAN2007	Tyco Electronics Corporation Harrisburg, PA 17105-3608				
DIMENSIONS: mm		CHK D.ORRIS 04JAN2007					
TOLERANCES UNLESS OTHERWISE SPECIFIED:		APVD S.FLICKINGER 04JAN2007	NAME SOCKET CONNECTOR, CROWN EDGE				
0 PLC $\pm -$ 1 PLC $\pm .5$ [.010] 2 PLC $\pm .25$ [.020] 3 PLC $\pm -$ 4 PLC $\pm -$ ANGLES $\pm .5$		PRODUCT SPEC -	-				
MATERIAL -		FINISH -	APPLICATION SPEC -	SIZE A3	CAGE CODE 00779	DRAWING NO G-6643460	RESTRICTED TO -
CUSTOMER DRAWING			WEIGHT -	SCALE 1:1	SHEET 6 OF 6	REV B	