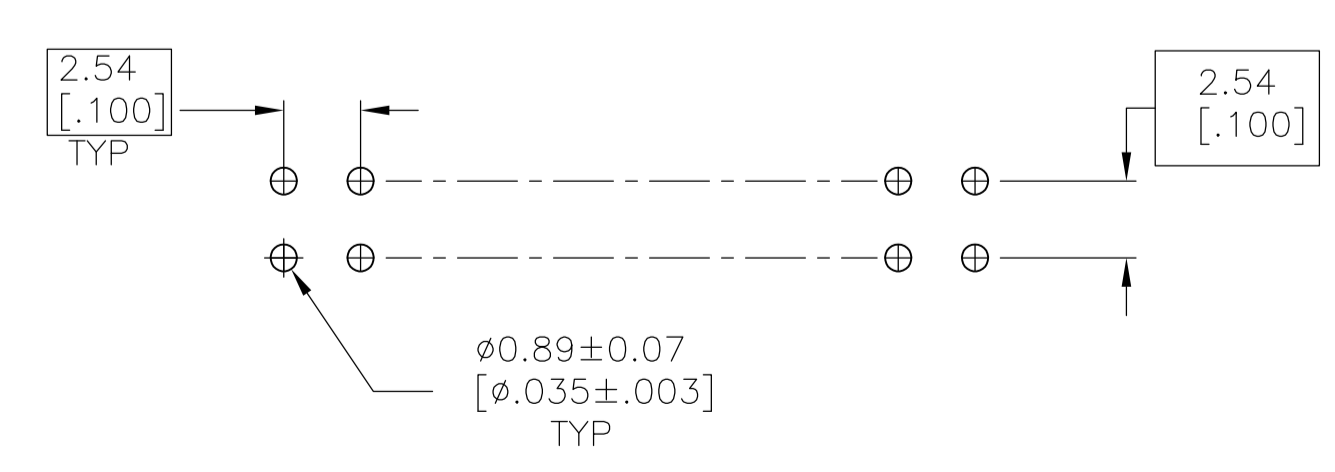
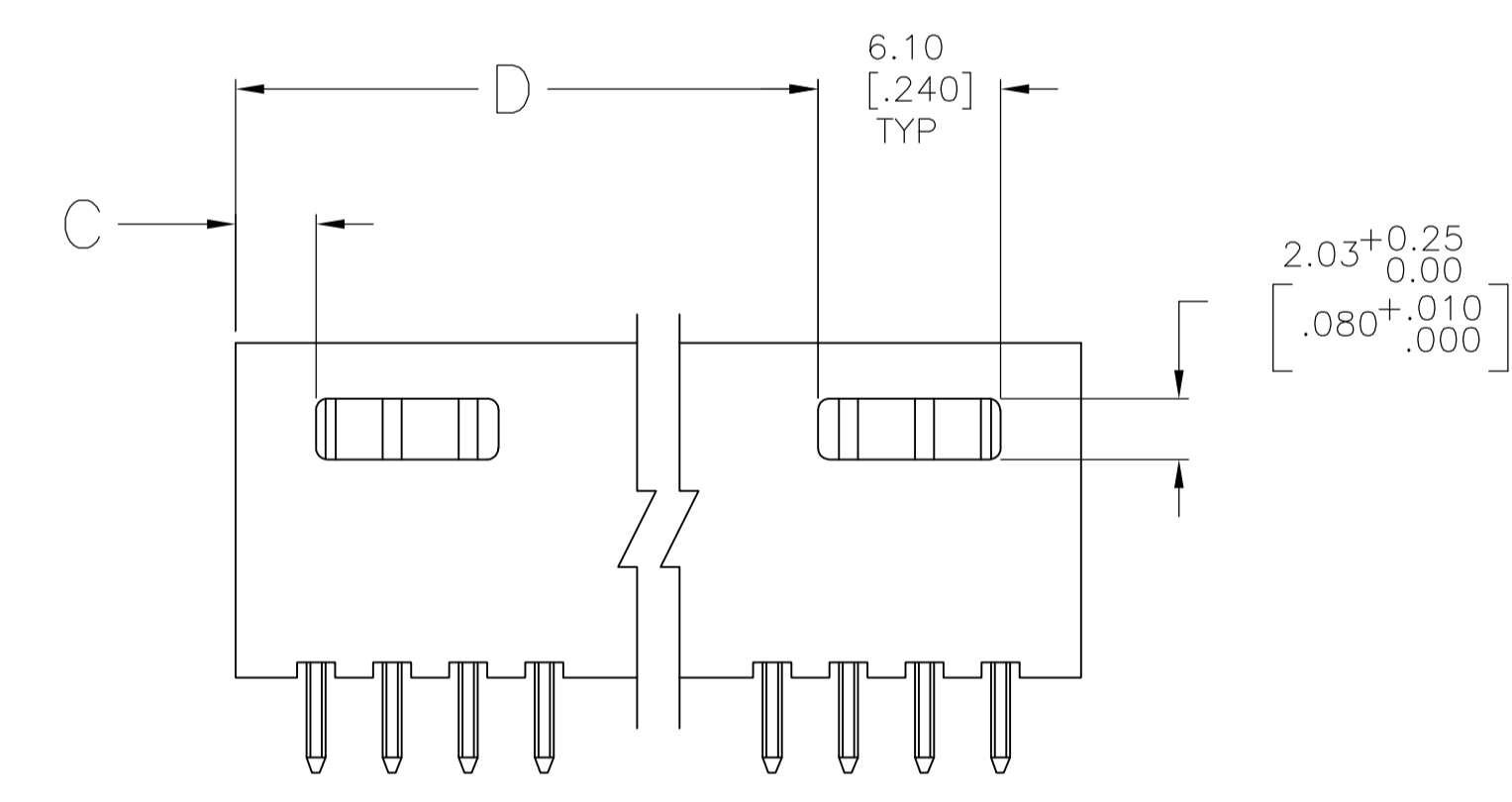
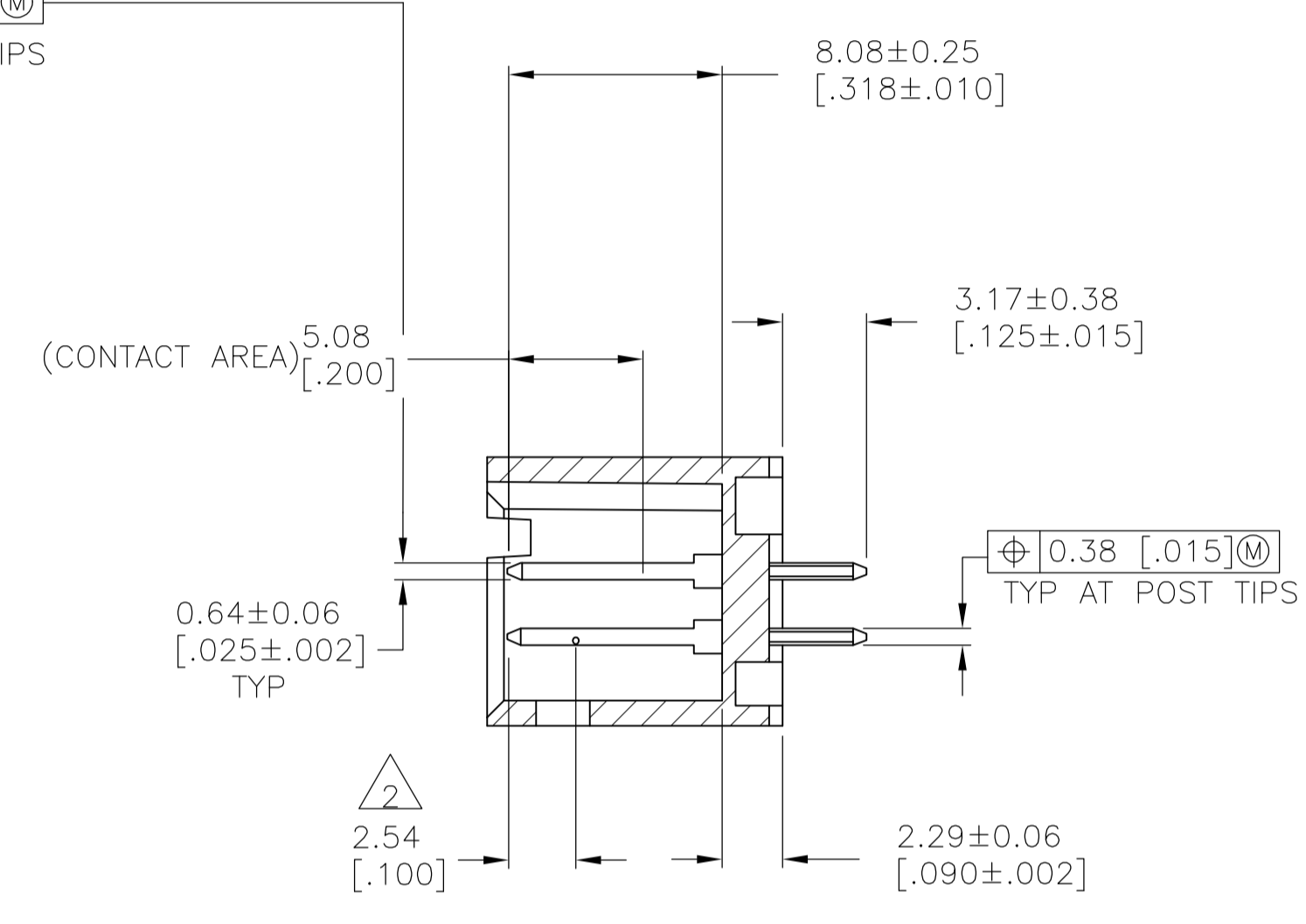
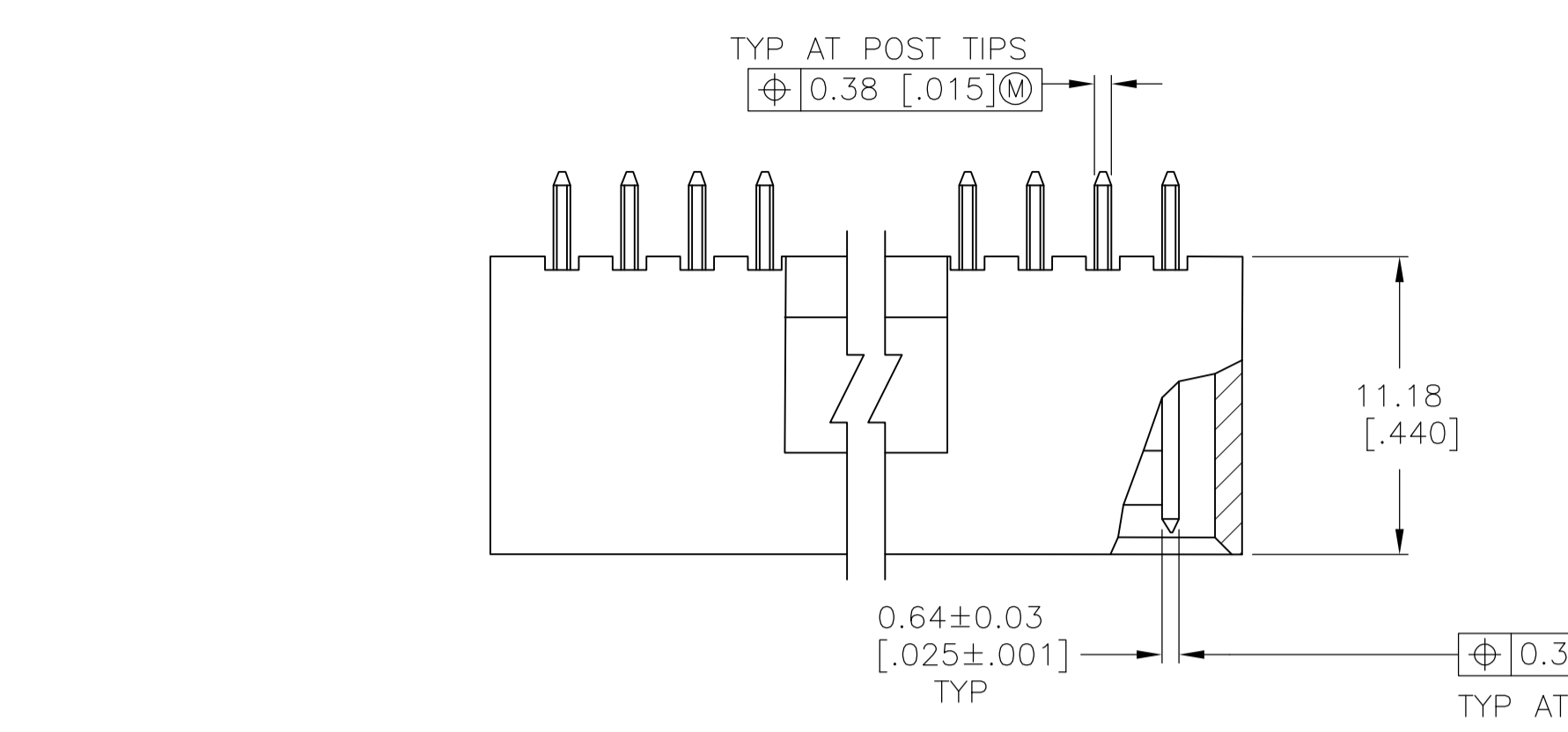


LOC		DIST		REVISIONS			
AD	00	REV	DATE	BY	CHK	APPV	REV
E	EC	063C	0216 05	26DEC05	BSV	JLG	
E1	REVISED PER ECO-09-021826			02SEP09	KK	AEG	



RECOMMENDED POLE LAYOUT

- 1 THE NOTED DIMENSIONS APPLY AT THE INTERSECTION OF THE POST AND HOUSING.
- 2 POINT OF MEASUREMENT FOR PLATING THICKNESS
- 3 HOUSING: FLAME RETARDANT THERMOPLASTIC, COLOR-BLACK. POST: PHOS BRONZE.
- 4 POST: 0.000381 [.000015] GOLD IN CONTACT AREA, 0.00254-0.00508 [.000100-.000200] MATTE TIN-LEAD ON SOLDER TAIL, ALL OVER 0.00127 [.000050] NICKEL.
- 5 PRELIMINARY PART NUMBER-NOT RELEASED TO MANUFACTURE.
- 6 POST: 0.000381 [.000015] GOLD IN CONTACT AREA, 0.00254-0.00508 [.000100-.000200] MATTE TIN ON SOLDER TAIL, ALL OVER 0.00127 [.000050] NICKEL.
- 7 OBSOLETE PARTS: OBSOLETE CIS STREAMLINING PER D.RENAUD/D.SINISI

OBSOLETE	6	-	3	-	5.23	13.51	4	10	5-147077-4
					[.206]	[.532]			
OBSOLETE	6	-	5	-	5.23	16.05	5	12	5-147077-3
	6	-	5	-	[.206]	[.532]	4	10	5-147077-2
OBSOLETE	6	-	3	-	7.77	18.59	6	14	5-147077-1
	6	-	3	-	[.306]	[.732]	6	14	5-147077-1
OBSOLETE	4	3,4	3,4	33.17	2.69	38.91	14	30	147077-5
	4	-	3	-	[1.306]	[1.06]	[1.532]	4	10
OBSOLETE	4	-	5	-	5.23	13.51	4	10	147077-4
	4	-	5	-	[.206]	[.532]	5	12	147077-3
OBSOLETE	4	-	5	-	5.23	16.05	5	12	147077-3
	4	-	5	-	[.206]	[.632]	5	12	147077-3
OBSOLETE	4	-	5	-	5.23	13.51	4	10	147077-2
	4	-	5	-	[.206]	[.532]	4	10	147077-2
OBSOLETE	4	-	3	-	7.77	18.59	6	14	147077-1
	4	-	3	-	[.306]	[.732]	6	14	147077-1
PLATING	ROW N	ROW M		D	C	B	A	NO OF POSN	ASSEMBLY PART NUMBER
	POSTS REMOVED								

THIS DRAWING IS A CONTROLLED DOCUMENT. DIMENSIONS: mm [INCHES]. TOLERANCES UNLESS OTHERWISE SPECIFIED: 0 PLC ± -, 1 PLC ± -, 2 PLC ± -, 3 PLC ± 0.1%(.005), 4 PLC ± -, ANGLES ± -.

DIN B HAYMAKER 14SEP98. CJK J. GESFORD 14SEP98. Tyco Electronics Corporation Harrisburg, Pa 17105-3608.

APVD J. GESFORD 14SEP98. NAME: HDR ASSY, MOD II, SHROUDED, 4 SIDES, DBL ROW, VERTICAL, .100X.100 .025 SQ POST, SELECT LOAD.

MATERIAL 3. FINISH SEE TABLE. WEIGHT -. SIZE A1. CAGE CODE 00779. DRAWING NO. 147077. RESTRICTED TO CUSTOMER DRAWING. SCALE 4:1. SHEET 1 OF 1. REV E1.