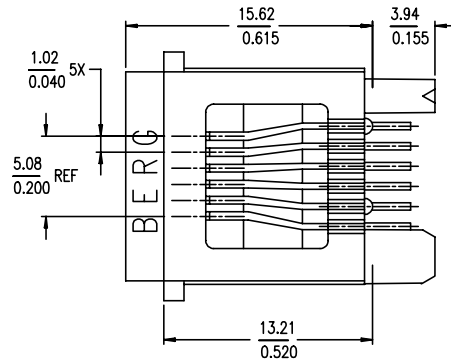


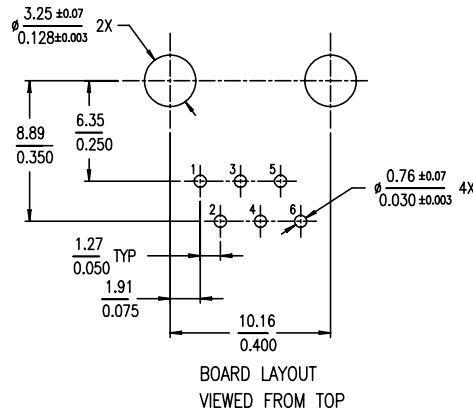
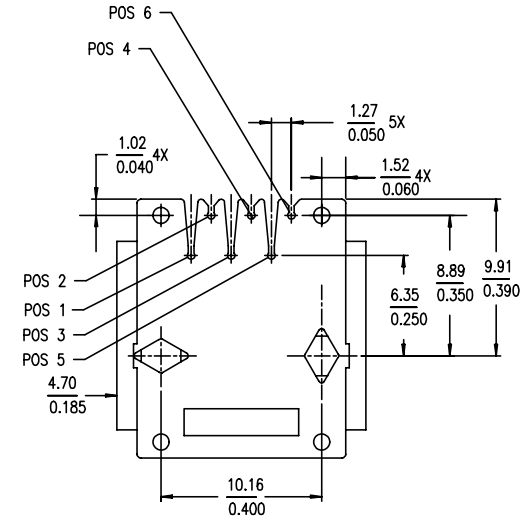
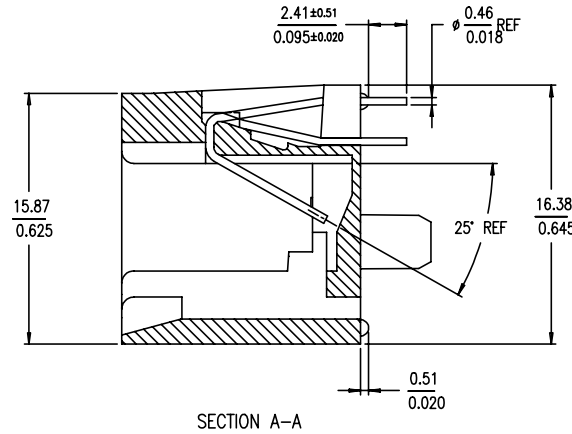
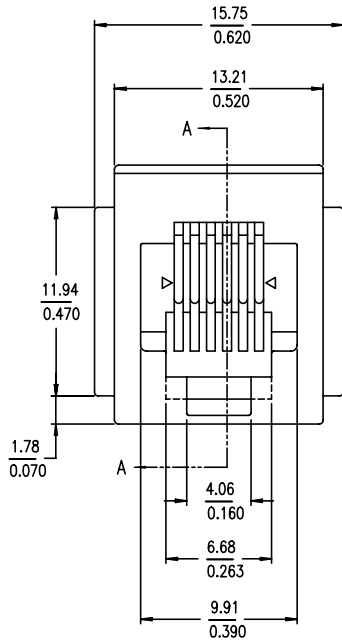
PRODUCT NO.	POSITIONS LOADED	CONTACT PLATING	HSG COLOR	NOTES
90520-001-001LF	ALL	5u" Au + high performance lubricant	BLACK	NOTE 1
90520-002-002LF	2,3,4,5			NOTE 1
90520-003-003LF	ALL			-
90520-004-004LF	2,3,4,5			-

LEAD FREE PRODUCT NO.



NOTES :

- ① SPECIAL PACKAGING.
- 2 GXT IS 0.76um / 30u" MIN GXT WITH Au FLASH OVER 1,27um / 50u" MIN Ni.
- 3 THIS PRODUCT MEETS EUROPEAN UNION DIRECTIVE AND OTHER COUNTRY REGULATIONS AS DESCRIBED IN GS-22-008
- 4 THE HOUSING WILL WITHSTAND EXPOSURE TO 260°C PEAK TEMPERATURE FOR 10 SECONDS IN A WAVE SOLDER APPLICATION WITH A 1.57mm MINIMUM THICK CIRCUIT BOARD
- 5 IF LF P/N PACKAGING MEETS GS-14-920 SPECIFICATION



mat'l. code		surface		tolerance		projection		product family	
		ISO1302 ✓		ISO1101 ISO406		mm		MOD JACK	
l t r e c n n o d r		d a t e		t o l e r a n c e s u n l e s s o t h e r w i s e s p e c i f i e d		s c a l e 2.0		S P / S W 6 P O S V E R T I C A L P C B M O D J A C K A S S Y	
C	T70458	CL	10/21/97	0.X±0.3					
D	N04-0102	YS	11/23/04	0.XX±0.15					
E	N08-0064	SH	05/05/08	0.XXX±0.05					
F	ELX-N-010976	SH MM	3/14/12						
		d r		CATHY LIN		10/21/97		d w g n o	
		e n g r		TONY CHIEN		10/21/97		s h e e t 1 o f 1	
		c h r		TONY CHIEN		10/21/97		s i z e	
		a p p d		JENN TSAO		10/21/97		A4	
s h e e t		r e v i s i o n						t y p e	
i n d e x		s h e e t		1				P r o d u c t C u s t o m e r D r a w i n g	