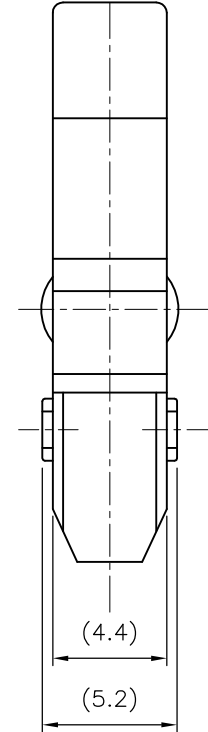
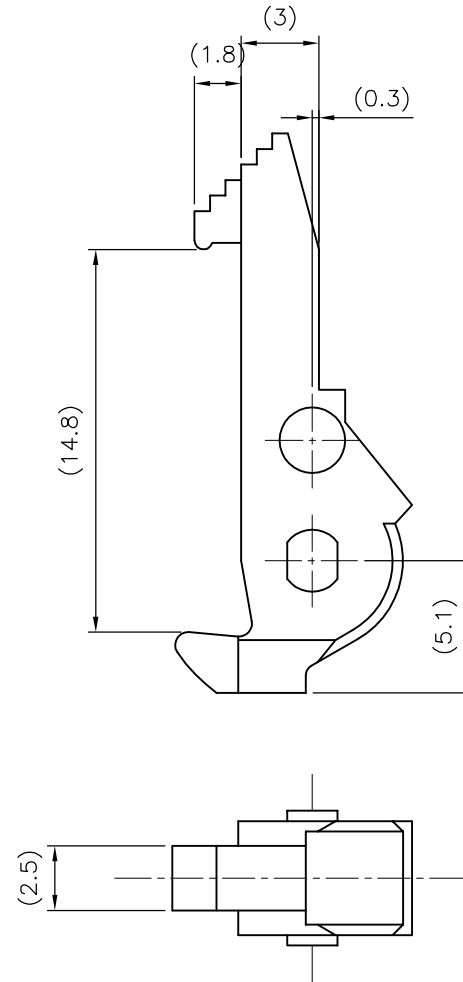
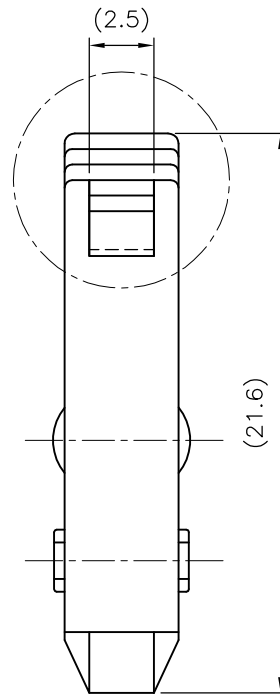


PRODUCT NUMBER
67018-X01LF

RoHS COMPATIBLE, SEE NOTE 3

CODE	COLOUR
0	GREY
1	BLUE
2	BLACK



NOTES:

- MOLDING MATERIAL : 30% GLASSFIBER POLYESTER, FLAME RETARDANT PER UL-94-V0
COLOR : GREY, OR BLUE (SEE TABLE)
- 0.08 MAX. FLASH ALLOWED ON SPLIT LINE
- RoHS COMPATIBLE PRODUCT
 - LABELLING:
- MEETS PACKAGING SPECS AS PER GS-14-920
 - LEGAL STATEMENT : SEE GS-47-0004
 - THE PRODUCT IS NOT INTENDED TO BE EXPOSED TO MANUFACTURING SOLDER PROCESS
 - PRODUCT MEETS WITH EU 2002/EG/95

mat'l. code		surface		tolerance		projection		product family	
SEE NOTES		ISO 1302		ISO 406 ISO 1101				QUICKIE	
ltr	ecn no	dr	date	tolerances unless otherwise specified		mm		title	
B	F08395	VMO	98.07.27	angles	linear	±0.3		EJECTOR LATCH	
C	F05-0257	LMU	05.10.11			±0.13		STANDARD	
D	F06-0274	LMU	06.10.18			±0.05		scale 5/1	
E	B-16667	JCO	14.01.07	dr	L.MULIN	05.10.11		dwg no	
F	B-19563	BVE	14.11.27	engr	J.COMPAGNON	05.10.11		sheet 1 of 1 size	
G	B-19927	BVE	15.01.08	chr				67018 A3	
				appd	JCO	14.01.07		type CUSTOMER Drawing	
sheet	revision								
index	sheet								