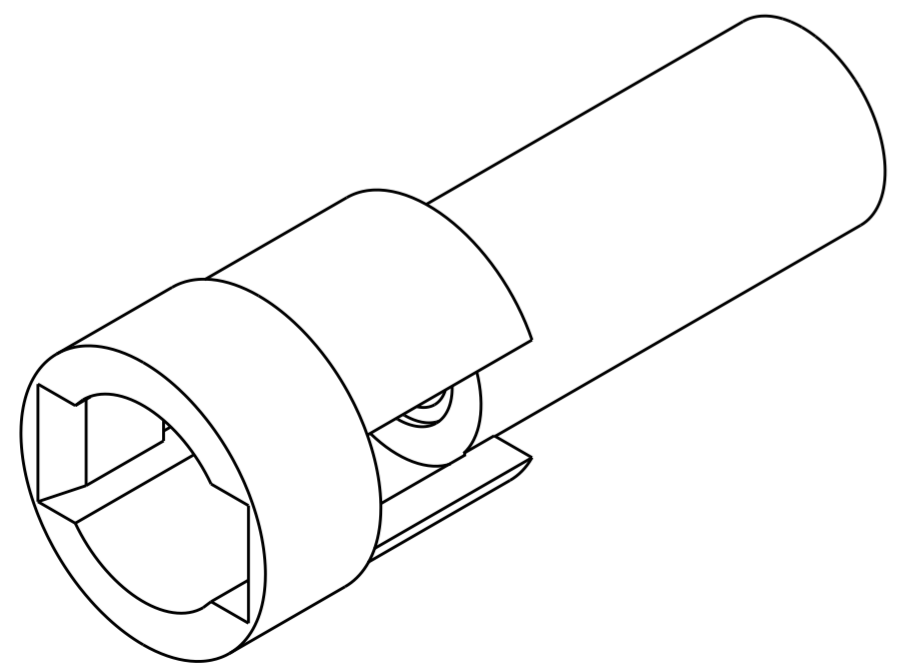
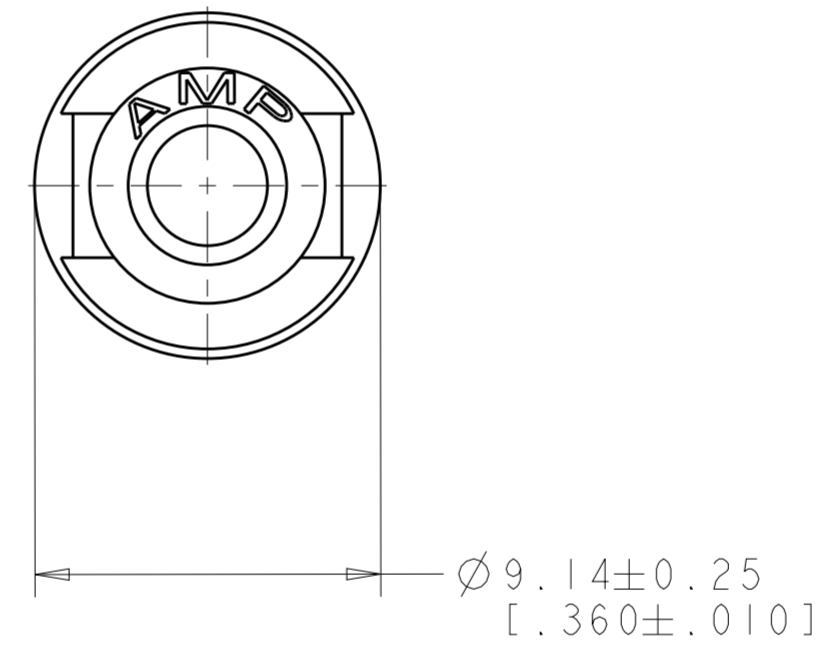
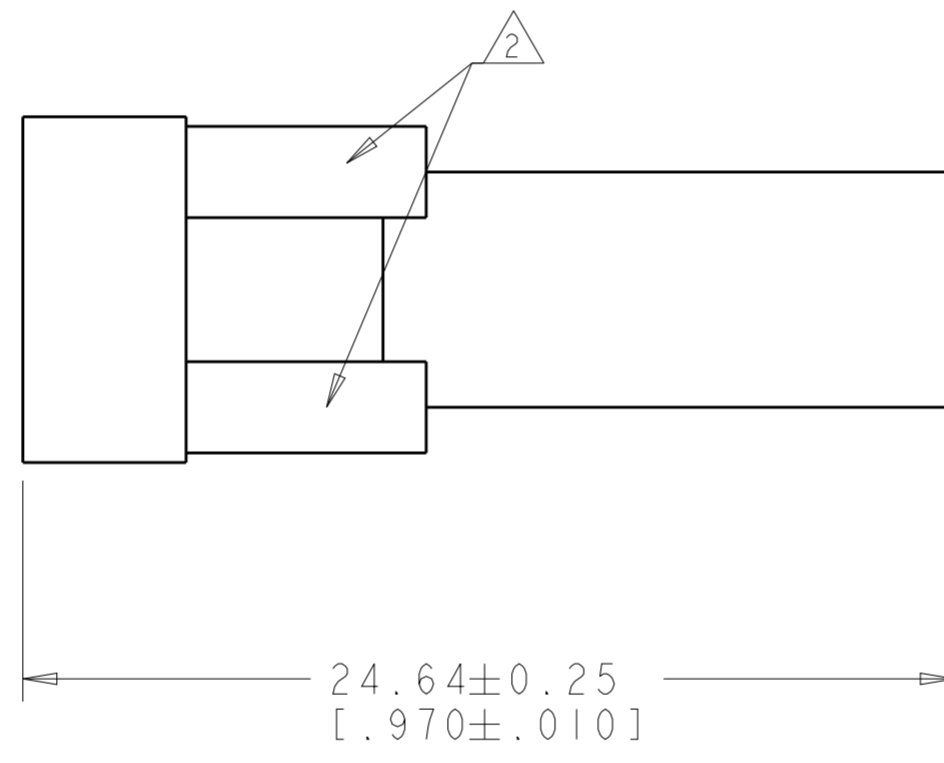
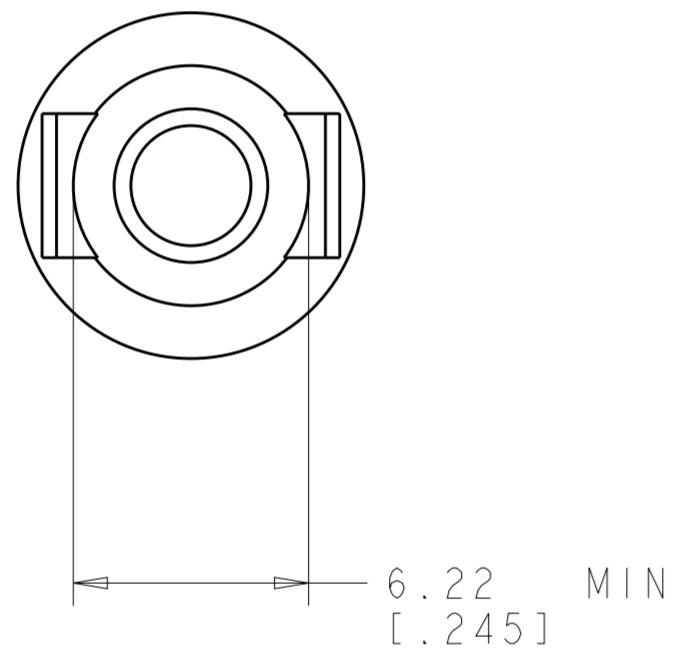


THIS DRAWING IS UNPUBLISHED. RELEASED FOR PUBLICATION 20
 © COPYRIGHT 20 BY TYCO ELECTRONICS CORPORATION. ALL RIGHTS RESERVED.

LOC	DIST	REVISIONS					
CM	00	P	LTR	DESCRIPTION	DATE	DWN	APVD
			G	REV PER ECO-12-018584	22OCT12	JR	SM

- ① MATERIAL - NYLON UL94V-2 (NATURAL).
- ② MARKING FOR UL LOGO AND CSA LOGO LOCATED APPROXIMATELY AS SHOWN
- ③ MATERIAL - NYLON UL 94V-0 (NATURAL).
- ④ MATERIAL - NYLON, UL94V-2, NATURAL
- ⑤ HOUSING MATERIAL MEETS MINIMUM GLOW WIRE FLAMMABILITY INDEX OF 850°C PER IEC 60695-2-12 AND MINIMUM GLOW WIRE IGNITION TEMP OF 750°C PER IEC 60695-2-13.
- ⑥ PRELIMINARY - NOT FOR PRODUCTION



⑤	④	.031 IN ³	⑥ 770064-3
	③	.031 IN ³	770064-2
	①	.031 IN ³	770064-1
	MATERIAL	VOLUME	PART NUMBER

METRIC

<small>THIS DRAWING IS A CONTROLLED DOCUMENT FOR TYCO ELECTRONICS CORPORATION. IT IS SUBJECT TO CHANGE AND THE CONTROLLING ENGINEERING ORGANIZATION SHOULD BE CONTACTED FOR THE LATEST REVISION.</small>		DWN K. WHITAKER 28AUG2007 CHK C. CASH 28AUG2007 APVD C. CASH 28AUG2007	Tyco Electronics Harrisburg, PA 17105-3608
DIMENSIONS: mm [INCHES]	TOLERANCES UNLESS OTHERWISE SPECIFIED: 0 PLC ± 1 PLC ± 2 PLC ±0.13 [.005] 3 PLC ± 4 PLC ± ANGLES ± FINISH	PRODUCT SPEC APPLICATION SPEC WEIGHT	NAME PLUG, 1 CIRCUIT, .093 COMMERCIAL PIN AND SOCKET
MATERIAL SEE TABLE	CUSTOMER DRAWING	SIZE A2 CAGE CODE 00779 DRAWING NO C-770064	RESTRICTED TO SCALE 5:1 SHEET 1 OF 1 REV G