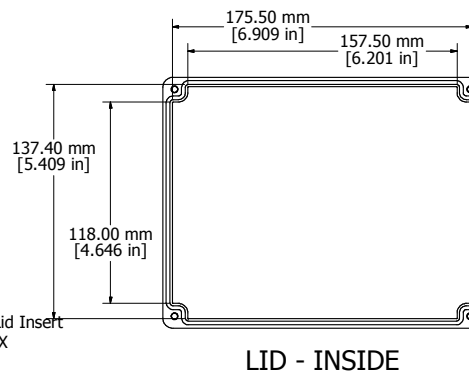


M3.5 Stainless Steel Lid Insert  
Type 304 Stainless 4X



Enclosures can be Factory Modified ( Milling, Drilling, Printing etc. )  
Contact Factory [mjm@hammondmfg.com](mailto:mjm@hammondmfg.com) for quotes  
Solid models of this enclosure available in STEP or IGES.

| RP1280   |
|--|
| Material: Polycarbonate (UL94-HB), Off-White color |
| Lid Screws: M3.5 x 10, 304 Stainless               |
| Gasket: EDPM Cord.                                 |
| Circuit Board Screws, 4 Supplied (M3 self tap)     |
| Suggested Lid Screw Torque: 30 ozf-in (21 cN-m)    |



**HAMMOND  
MANUFACTURING™**

**RP1280**

[www.hammondmfg.com](http://www.hammondmfg.com)