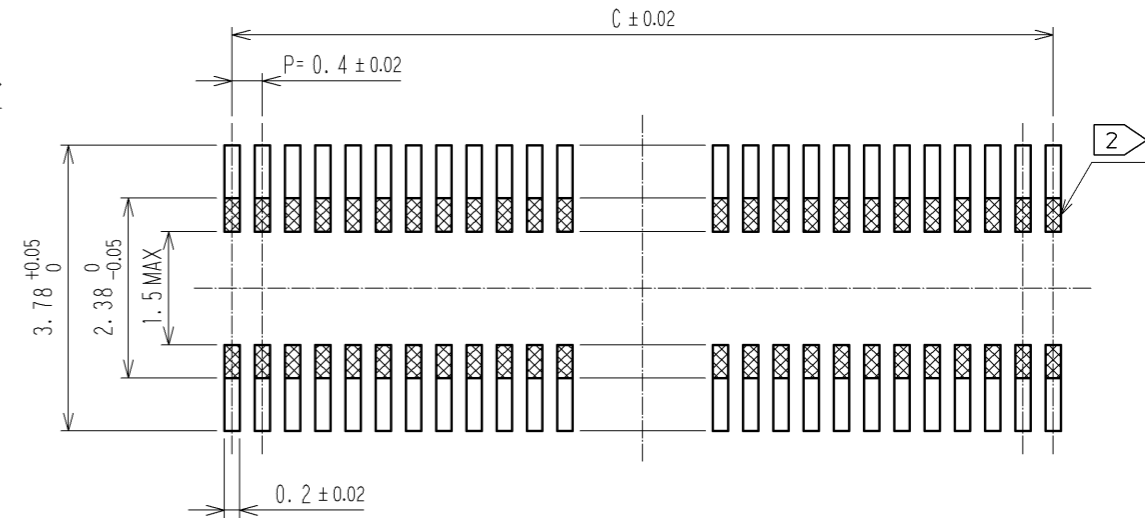
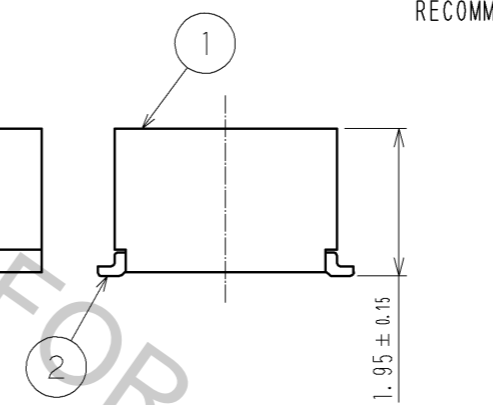
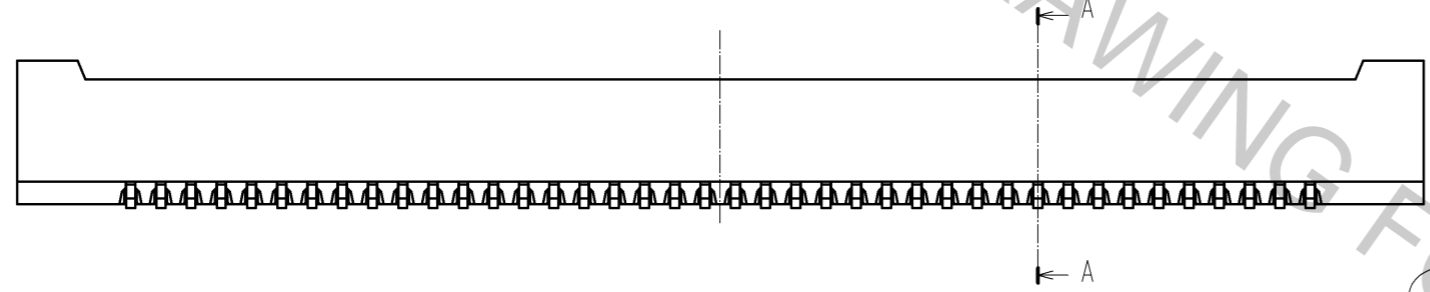


RECOMMENDED PATTERN

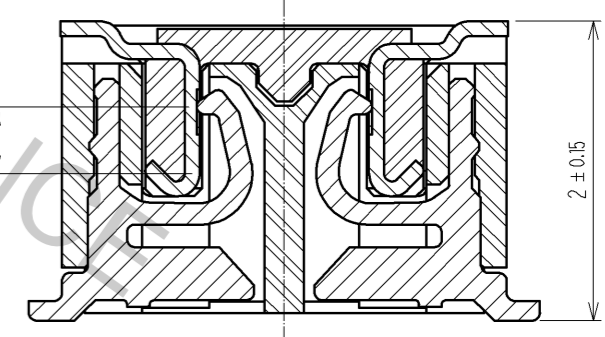


RECOMMENDED METAL MASK THICKNESS : 120 μm
 RECOMMENDED METAL MASK OPENING RATIO : 80% FOR LEAD PAD



EFFECTIVE CONTACT LENGTH : 0.45

ENGAGEMENT FIGURE(20:1)



- NOTES)
- 1. ALL LEADS CO-PLANARITY SHALL BE 0.1 MAX.
 - 2. IS NO PATTERN AREA OTHER THAN THE SAME CIRCUIT.
 - 3. HRS MARK AND CAV NO. IS INDICATED IN APPROXIMAL POSITION SHOWN.
 - 4. GATE POSITION OF 60 TO 100 POSITIONS IS POSITIONED IN APPROXIMAL AREA SHOWN.
 - 5. GATE POSITION OF 20 TO 50 POSITIONS IS POSITIONED IN APPROXIMAL AREA SHOWN.
A PART OF THE WALL COULD BE NOTCHED FOR SETTING GATE.
 - 6. 60 TO 100 POSITIONS HAVE CONCAVE PORTION.

PART NO.	CL CODE	B	C	D
DF40C(2.0)-20DS-0.4V(51)	CL684-4040-0-51	6.6	3.6	1.0
DF40C(2.0)-24DS-0.4V(51)	CL684-4041-2-51	7.4	4.4	1.0
DF40C(2.0)-30DS-0.4V(51)	CL684-4058-5-51	8.6	5.6	1.5
DF40C(2.0)-40DS-0.4V(51)	CL684-4042-5-51	10.6	7.6	3.2
DF40C(2.0)-50DS-0.4V(51)	CL684-4091-0-51	12.6	9.6	3.2
DF40C(2.0)-60DS-0.4V(51)	CL684-4034-7-51	14.6	11.6	3.2
DF40C(2.0)-70DS-0.4V(51)	CL684-4147-3-51	16.6	13.6	3.2
DF40C(2.0)-80DS-0.4V(51)	CL684-4132-6-51	18.6	15.6	3.2
DF40C(2.0)-100DS-0.4V(51)	—	22.6	19.6	3.2

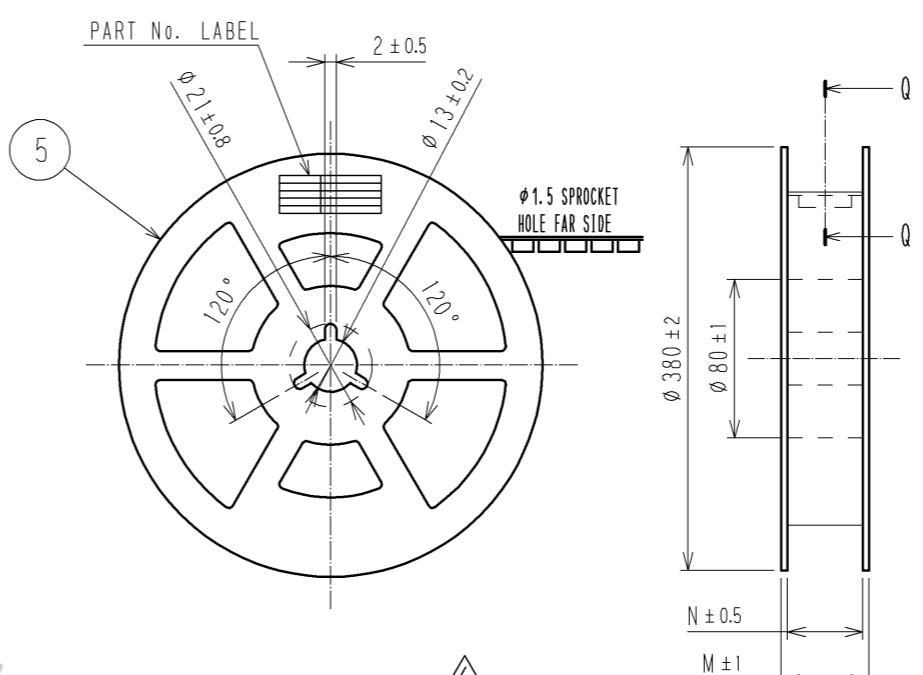
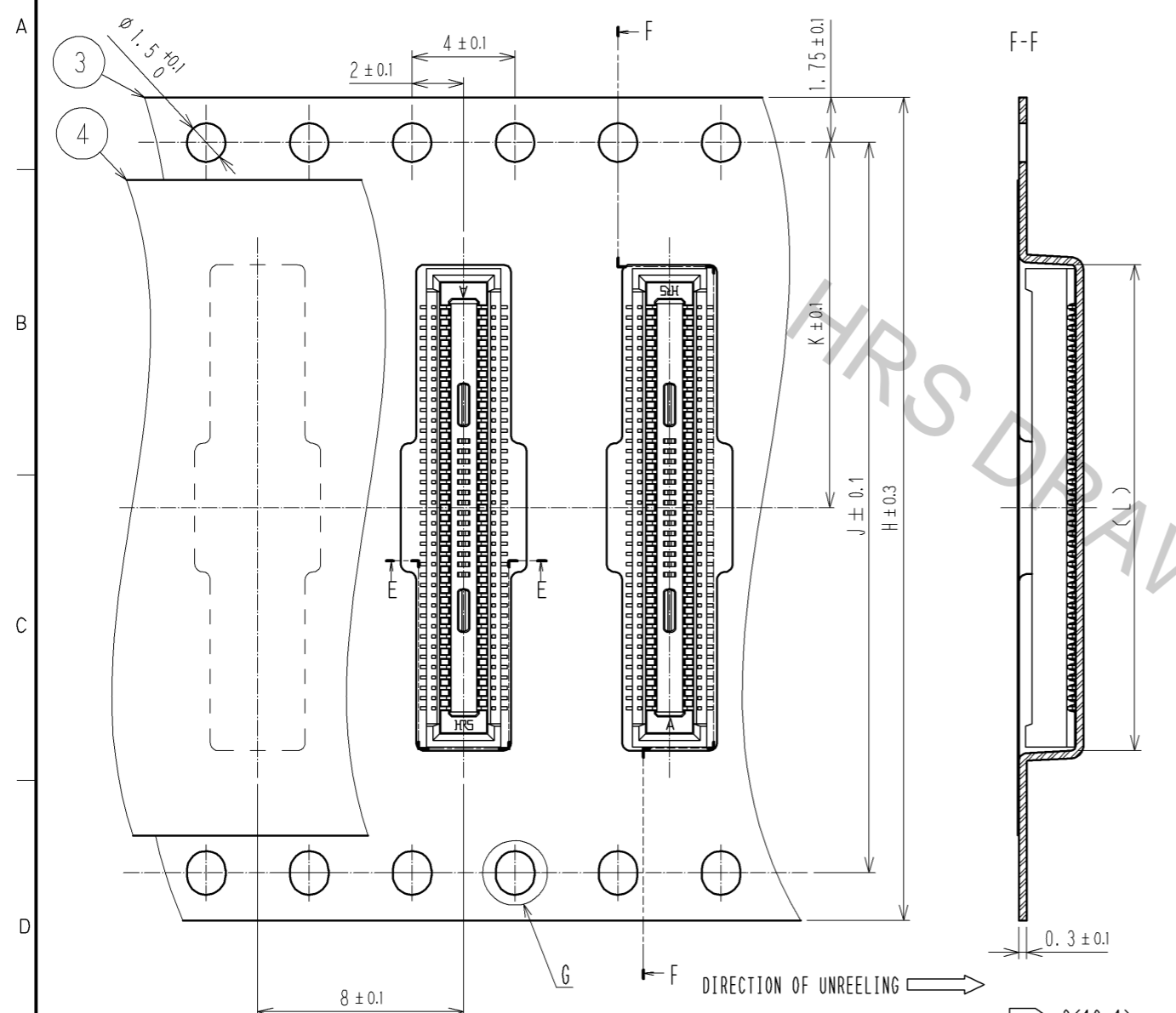
NO.	MATERIAL	FINISH . REMARKS	NO.	MATERIAL	FINISH . REMARKS
2	PHOSPHOR BRONZE	CONTACT AREA:GOLD 0.05 μm MIN SMT LEAD:GOLD 0.05 μm MIN UNDERPLATING:NICKEL 1 μm MIN	6	PS	CLEAR, REINFORCEMENT COLLAR
			5	PS	BLACK, PLASTIC REEL
			4	POLYESTER	CLEAR, COVER TAPE
1	LCP	BLACK, UL94V-0	3	PS	CLEAR, EMBOSSED CARRIER TAPE

UNITS	SCALE	COUNT	DESCRIPTION OF REVISIONS	DESIGNED	CHECKED	DATE
mm	10 : 1	2	DIS-H-006409	TR. YUNOKI	TS. MIYAZAKI	11. 12. 09

APPROVED	DATE	DRAWING NO.
KH. IKEDA	08. 04. 18	EDC3-315166-02
TS. MIYAZAKI	08. 04. 18	PART NO.
TK. SUZUKI	08. 04. 17	DF40C(2.0)-*DS-0.4V(51)
TK. SUZUKI	08. 04. 17	CODE NO.
		CL684

EMBOSSED CARRIER TAPE PACKAGING(5:1)

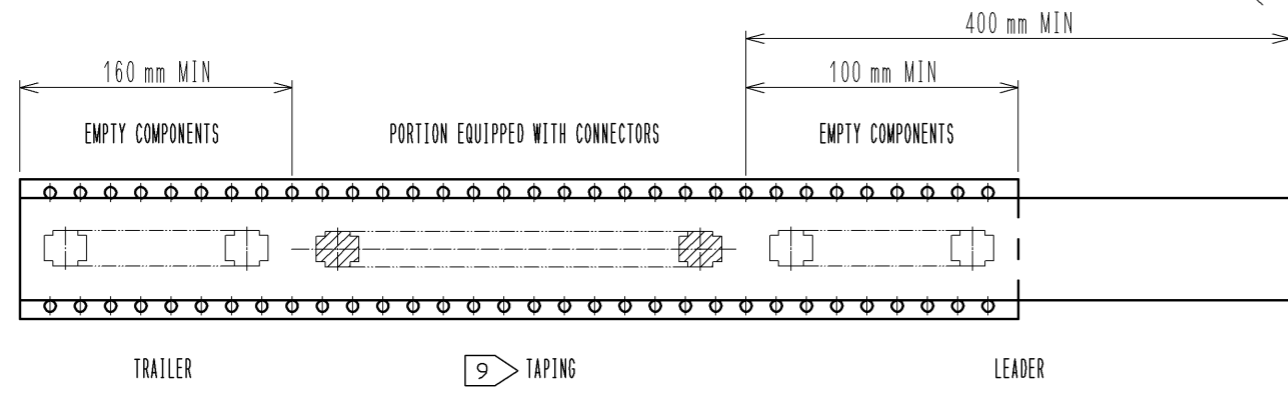
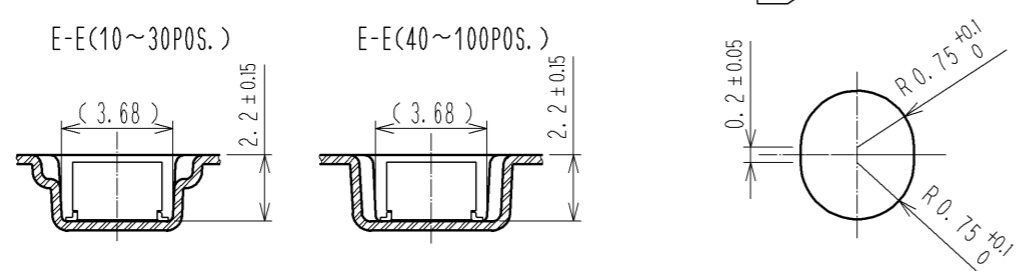
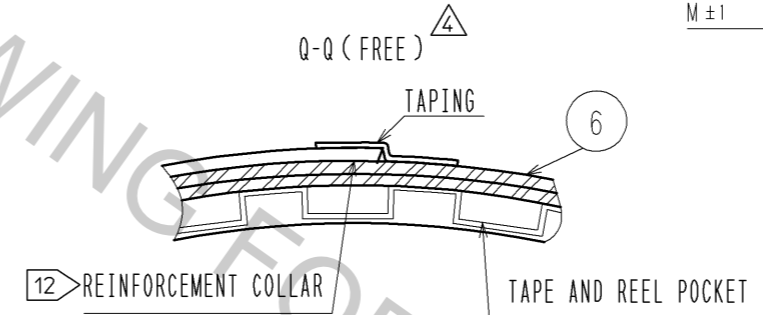
STYLE AND DIMENSION OF REEL(FREE SIZE)



10> DETAIL OF PART No. LABEL

製造年月日	** ** *
製品コード	CL684-****-51
製品名	DF40C(2.0)-*DS-0.4V(51)
数量	4000
納入者	ヒロセ電機(株)

PART NO.	H	J	K	L	M	N
DF40C(2.0)-20DS-0.4V(51)	16	—	7.5	6.9	21.5	17.5
DF40C(2.0)-24DS-0.4V(51)	16	—	7.5	7.7	21.5	17.5
DF40C(2.0)-30DS-0.4V(51)	24	—	11.5	8.9	29.5	25.5
DF40C(2.0)-40DS-0.4V(51)	24	—	11.5	10.9	29.5	25.5
DF40C(2.0)-50DS-0.4V(51)	24	—	11.5	12.9	29.5	25.5
DF40C(2.0)-60DS-0.4V(51)	24	—	11.5	14.9	29.5	25.5
DF40C(2.0)-70DS-0.4V(51)	32	28.4	14.2	16.9	37.5	33.5
DF40C(2.0)-80DS-0.4V(51)	32	28.4	14.2	18.9	37.5	33.5
DF40C(2.0)-100DS-0.4V(51)	44	40.4	20.2	22.9	49.5	45.5



- NOTES
- PER REEL 4000 CONNECTORS.
 - THE DIMENSIONS IN PARENTHESES ARE FOR REFERENCE.
 - REFER TO JIS C 0806(PACKING OF COMPONENTS FOR AUTOMATIC HANDLING)
 - DETAIL OF PART No. LABEL IS WRITTEN IN JAPANESE. PART No. LABEL DESCRIBES THE FOLLOWING INFORMATION FROM TOP.
 PRODUCTION DATE:
 PRODUCT CODE: CL684-****-51
 PART NUMBER: DF40C(2.0)-*DS-0.4V(51)
 NUMBER OF PIECES: 4000 PIECES
 SUPPLIER NAME: HIROSE ELECTRIC CO., LTD.
 - 20 TO 60 POSITIONS EMBOSSED CARRIER TAPE HAS THE SPROCKET HOLE ON ONE SIDES.
 - AFTER PACKAGING, ROLL 2 METERS OF THE REINFORCEMENT COLLAR TO OUTER CIRCUMFERENCE OF TAPE AND REEL POCKET, AND TAPE DOWN AT THE END THE COLLAR.

HRS	DRAWING NO.	EDC3-315166-02
	PART NO.	DF40C(2.0)-*DS-0.4V(51)
	CODE NO.	CL684

4/2