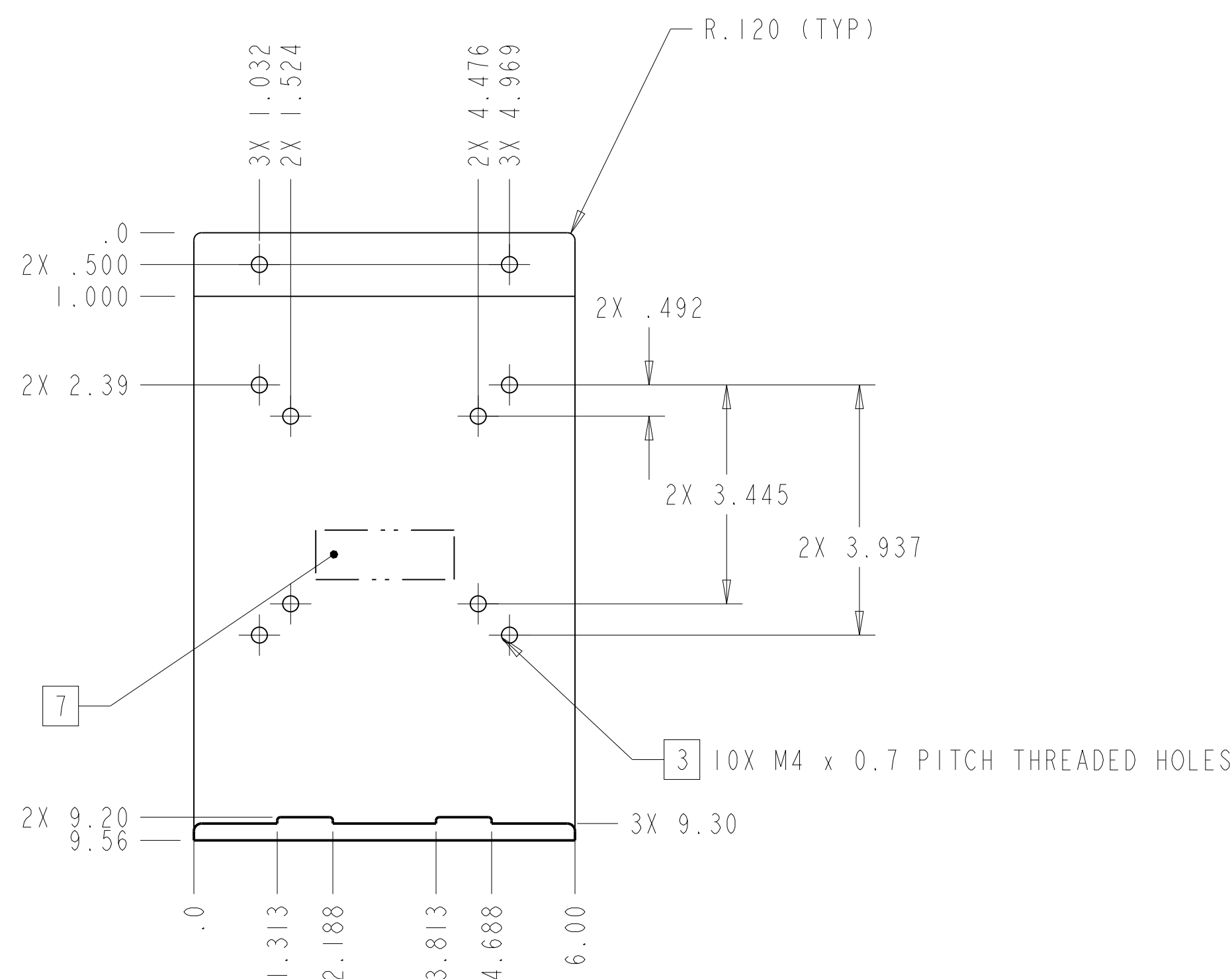


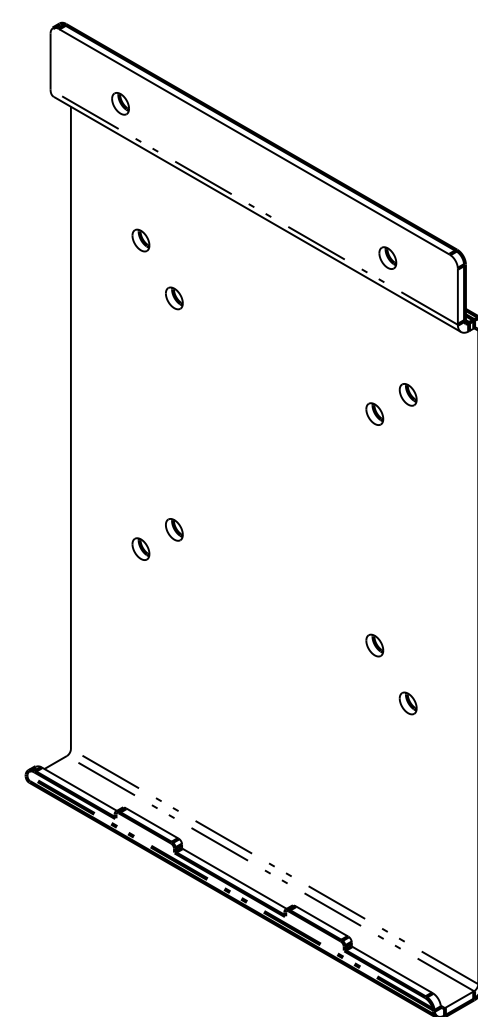
REV	ECO	DESCRIPTION	DATE	DRW/CHK
A		INITIAL RELEASE NPRO 103254	31MAR05	TJM/TJM
B	005558	UPDATE DIMENSION SCHEME AND TITLE BLOCK	28OCT14	TJM/MJL

NOTES: UNLESS OTHERWISE SPECIFIED

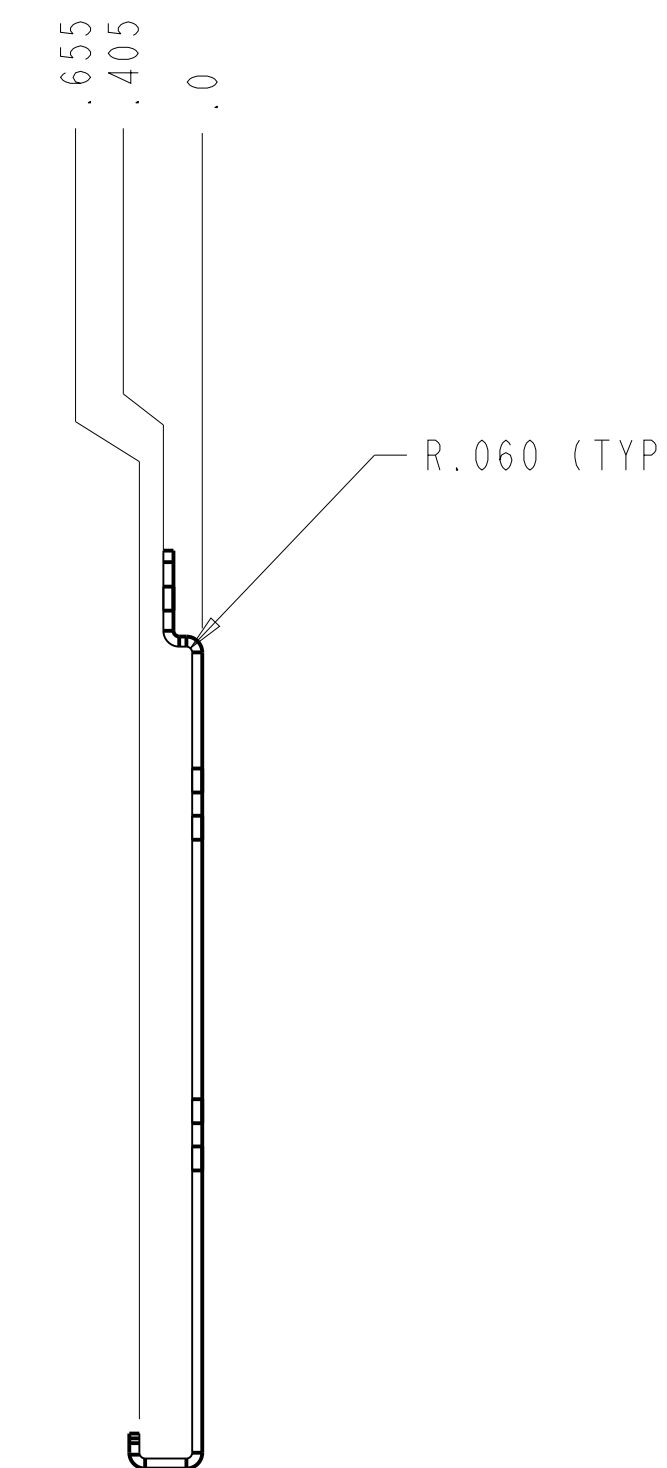
- MATERIAL: 0.1015" 10 GAUGE 5052-H32 ALUMINUM PER ASTM B209. CLEAR CHROMATE ELECTROPLATE .0002 THRU .0004 THICK.
- PAINT ALL EXTERIOR SURFACES UNLESS OTHERWISE SPECIFIED WITH THE FOLLOWING POWDER COAT:  
 COLOR: WHITE RAL 9002  
 CHEMISTRY: URETHANE  
 PARTICLE SIZE: 45-60% THROUGH 325 MESH  
 RECOMMENDED FILM THICKNESS: 2.0 - 3.0 MILS  
 FINISHED TEXTURE SHALL BE LIGHT  
 POWDER COAT CHIP WILL BE SUPPLIED UPON REQUEST
- NO PAINT ALLOWED.
- REMOVE BURRS AND SHARP EDGES PER STANDARD COMMERCIAL PRACTICE PRIOR TO COATING.
- DIMENSIONS OF FORM AND LOCATION APPLY TO PART IN THE UNRESTRAINED CONDITION.
- ALL BENDS R.063" MIN. ALL BENDS ARE 90° UNLESS OTHERWISE NOTED.
- STAMP, ETCH, OR ENGRAVE PART NUMBER, REVISION AND DATE CODE (YYWW) WITH .125" MINIMUM TALL CHARACTERS. LOCATE APPROXIMATELY AS SHOWN. PART MARKING SHALL BE CLEARLY VISIBLE AFTER FINISHING.
- FINISHED PART SHALL BE ROHS COMPLIANT PER 2011/65/EU. THE FACILITY PERFORMING THIS WORK SHALL PERFORM TESTS OR OBTAIN TESTING INFORMATION THAT CONFIRMS COMPLIANCE. TEST RECORDS SHALL BE MADE AVAILABLE UPON REQUEST.
- ALL COMPONENT SHIPMENTS TO INCLUDE CERTIFICATE OF CONFORMANCE. COC MUST STATE PARTS ARE BUILT TO DRAWING SPECIFICATIONS.




FRONT VIEW  
SCALE 0.500



ISOMETRIC VIEW  
FOR REFERENCE ONLY  
SCALE 0.500



<p>UNLESS OTHERWISE SPECIFIED</p> <p>ALL DIMENSIONS AND TOLERANCES ARE IN INCHES AND SHALL BE INTERPRETED PER ASME Y14.5M - 1994.</p> <p>DRAWING TOLERANCES ARE AS FOLLOWS:</p> <table> <tr> <td>FRACTIONS</td> <td>DECIMALS</td> <td>ANGLES</td> </tr> <tr> <td>±1/64</td> <td>.XX±.1</td> <td>±1°</td> </tr> <tr> <td></td> <td>.XXX±.02</td> <td></td> </tr> <tr> <td></td> <td>.XXX±.010</td> <td></td> </tr> </table> <p>THIS DWG AND SPECIFICATION ARE THE PROPERTY OF DIGI INTERNATIONAL AND SHALL NOT BE REPRODUCED OR COPIED WITHOUT THEIR WRITTEN PERMISSION.</p>	FRACTIONS	DECIMALS	ANGLES	±1/64	.XX±.1	±1°		.XXX±.02			.XXX±.010		DESIGNER/ENGINEER: T. MILLER	DATE: 27-Oct-14	 11001 BREN ROAD EAST, MINNETONKA, MN 55343 TITLE BRACKET, CONNECT ES
	FRACTIONS	DECIMALS	ANGLES												
	±1/64	.XX±.1	±1°												
		.XXX±.02													
	.XXX±.010														
HW ENGINEER:	DATE: 27-Oct-14														
MFG/OPS: R. OLSEN	DATE: 27-Oct-14														
DRAFTER: T. MILLER	DATE: 27-Oct-14														
PRODUCT MANAGER	DATE: 27-Oct-14	SIZE D CAGE CODE 08TP3 DWG NO 60001099-01 REV B													
	SCALE 1.000	DO NOT SCALE DRAWING	SHEET 1 OF 1												