

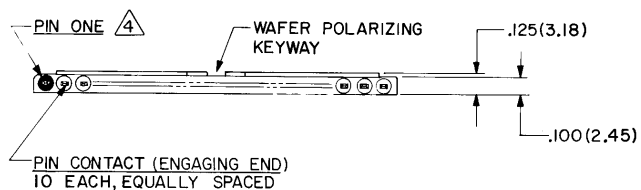
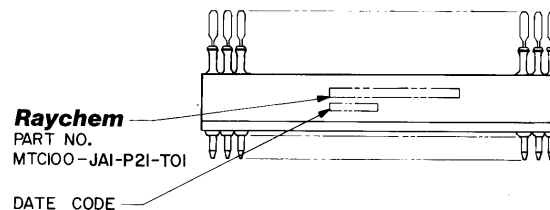
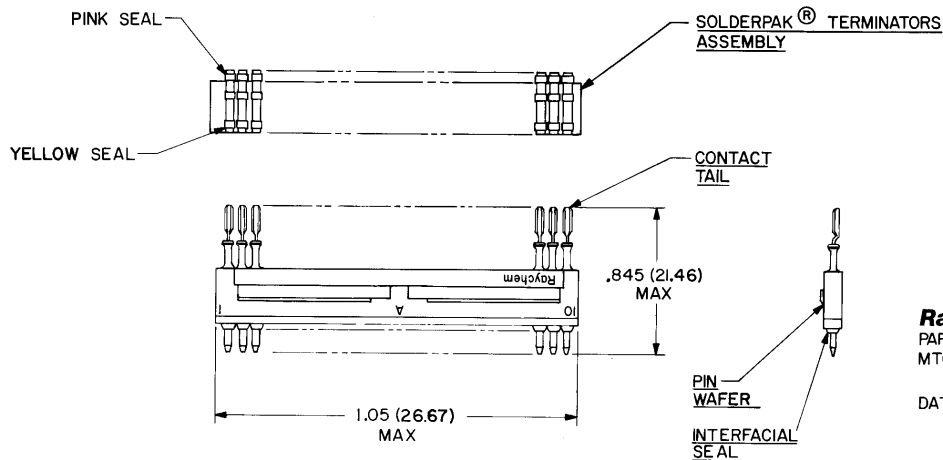
4

3

2

1

ZONE		LTR		DESCRIPTION	DATE	APPROVED
A		CHG'D PER DCO*		T-02585	W.J. 1-22-81	[Signature]



5 WEIGHT (MAX.): $\frac{\text{LBS.}}{.0047}$ | $\frac{\text{GRAMS}}{2.12}$

4 PIN ONE: PIN NUMBER ONE MARKED IN CONTRASTING COLOR ON INTERFACIAL SEAL.

3. WAFER: WAFER MEETS THE REQUIREMENTS OF RAYCHEM SPECIFICATION D-6011.

2. FINISH:

- 2-A PIN WAFER: FINISH TO BE AS MOLDED.
- 2-B PIN CONTACT: GOLD PLATE PER MIL-G-45204, CLASS 1.
- 2-C CONTACT TAIL: COATED WITH SOLDER PER QQ-S-571.

1. MATERIAL:

- 1-A PIN WAFER: HIGH GRADE POLYARYLENE THERMO-PLASTIC.
- 1-B PIN CONTACT: COPPER ALLOY PER QQ-B-613 OR QQ-C-502.
- 1-C INTERFACIAL SEAL: SILICONE ELASTOMER PER MIL-R-25988.
- 1-D SOLDERPAK® TERMINATORS ASSY: REFER TO RAYCHEM DWG. CTA-0026 FOR DATA.

NOTES

If this document is printed it becomes uncontrolled.
Check with the web for latest revision.

DO NOT SCALE THIS DRAWING

© Raychem Corporation 1981

SPECIFICATION CONTROL DRAWING

UNLESS OTHERWISE SPECIFIED DIMENSIONS ARE IN INCHES BRACKETED DIMENSIONS () ARE METRIC AND TOLERANCES ARE:		DRAWN	W.V.J.	1-15-81	Raychem <small>RAYCHEM CORPORATION 300 LUMLEY DRIVE MENLO PARK, CALIF. 94025</small>
.XXX: ± .005 (0.13 M.M.)		CHECKED	[Signature]	[Signature]	
.XX: ± .02 (0.51 M.M.)		APPROVED	[Signature]	[Signature]	
Δ: ± —		APPROVED	[Signature]	[Signature]	
		APPROVED			
		SIZE	CODE IDENT	DWG. NO.	
		C	NO. 06090	MTC100-JAI-P2I-TOI	
			WEIGHT	SHEET	OF 1