

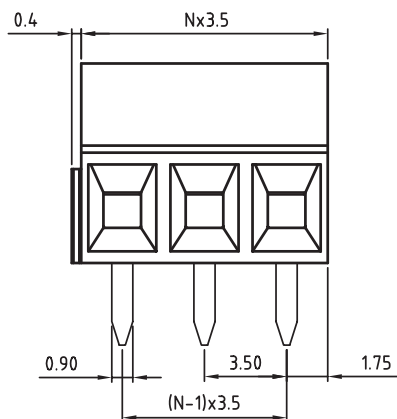
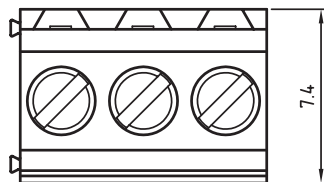
1

2

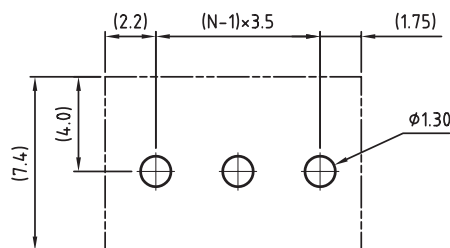
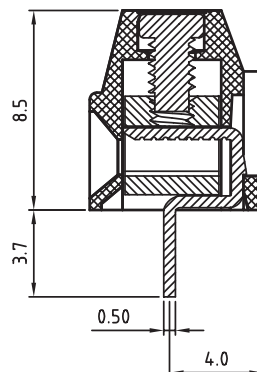
3

4

5



N=Number of conacts




PCB LAYOUT - COMPONENT VIEW

TECHNICAL CHARACTERISTICS

MATERIAL
 INSULATOR: PA 66
 FLAMABILITY RATING: UL94-V0
 COLOR: GREEN
 METAL HOUSING: BRASS (CuZn)
 TERMINAL SCREW SLOT TYPE: "-"
 CONTACT: BRASS
 SOLDER TAIL PLATING: TIN

ENVIRONMENTAL
 OPERATING TEMPERATURE: -40 UP TO 105°C
 COMPLIANCE: LEAD FREE AND ROHS

ELECTRICAL
 CURRENT RATING: 10A
 WORKING VOLTAGE: 300VAC
 WITHSTANDING VOLTAGE: 1.6KV
 CONTACT RESISTANCE: 20 mOhm max

STANDARD
 CERTIFIED E315414 / MODEL NUMBER 2141

MECHANICAL
 SOLID WIRE: 24-16AWG / 0.2-1.5MM²
 STRANDED WIRE: 24-16AWG / 0.2-1.5MM²
 TORQUE: 1.7Lb-In / 0.20Nm

WIRE STRIPE LENGTH: 5-6MM
 SCREW: M2.0
 PITCH: 3.5MM

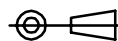
SOLDERING: WAVE PROCESS ONLY

PACKAGING: BOX

SERIE 2141

RoHS Compliant

PROJECTION:



GENERAL TOLERANCE

.X = +/- 0.2

.XX = +/- 0.15



APPROVAL: RJ

UNIT: MM

SCALE:

SHEET: 1/1

DRAW: MARVIN

DESCRIPTION: SERIE 2141 - 3.5MM HORIZONTAL ENTRY MODULAR WITH
 RISING CAGE CLAMP - 1.5MM² WIRES WR-TBL

WERI PART NO: 691 214 110 0xx

SIZE

A4

G			
F			
E			
D			
C	07-JUL-11	COLOR	GG
B	12-OCT-09	STANDARD	JP
A	30-OCT-08	PDF	JP
REV	DATE	FILE	BY