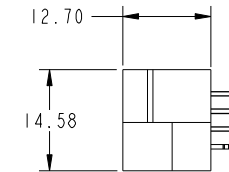
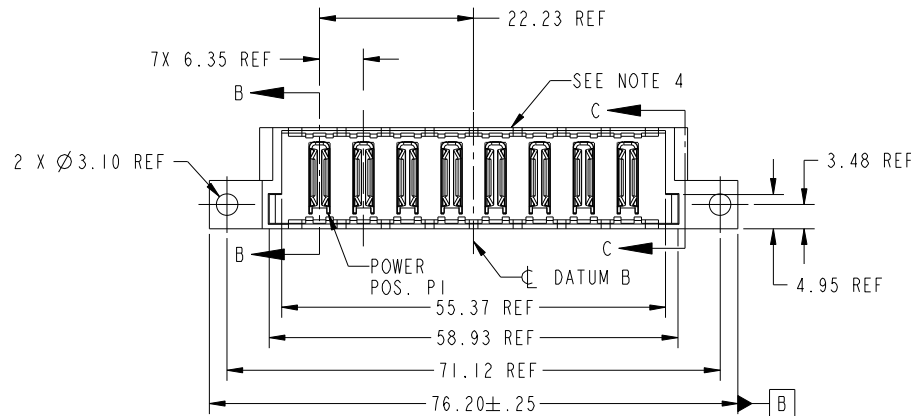
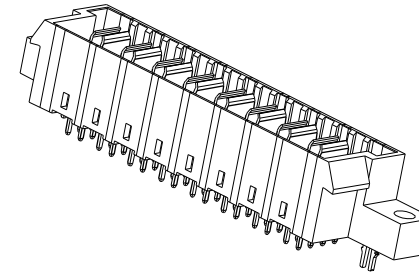
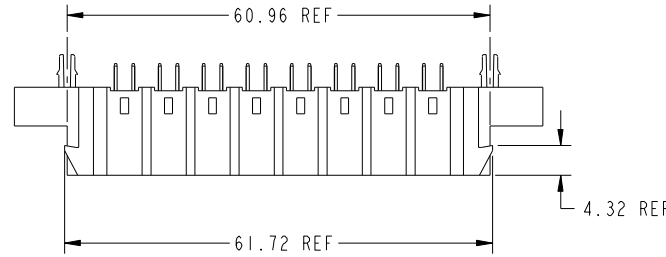
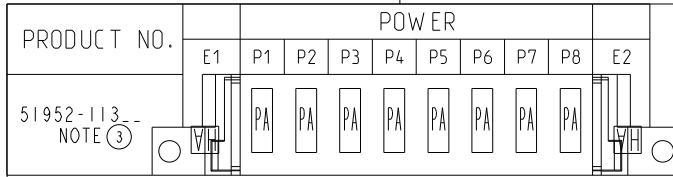


Tous droits strictement réservés. Reproduction ou communication a des tiers interdite sous quelque forme que ce soit sans autorisation écrite du propriétaire. Propriété de c FCI. Droits de reproduction FCI.

All rights strictly reserved. Reproduction or issue to third parties in any form whatever is not permitted without written authority from the proprietor. Property of FCI. Copyright FCI.



mat'l code				tolerances unless otherwise specified		CUSTOMER		
ltr	ecn no.	dr	date	linear	0.X ± 0.3	COPY	www.fciconnect.com	
A	DG07-0048	JMG	02/02/07		0.XX ± 0.13	projection	title 8P VERTICAL SOLDER HEADER	
				angles	0.XXX ± 0.051		product family PwrBlade code 213	
				dr	0° ± 2°	MIM	size	sheet 1 of 4
				enr	JM GUO 02/02/07	scale	dwg no	
				chr	RYAN YUAN 02/02/07	1:1	51952-113	
				appd	BEER FU 02/02/07			
					JOSEPH HSIA 02/02/07			
sheet index	revision sheet	A 1	A 2	A 3	A 4			

cage code 22526

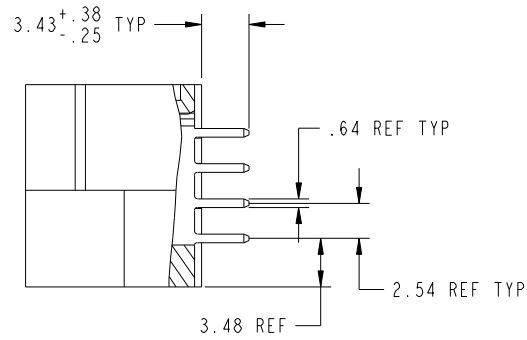
Pro/E

Tous droits strictement reserves. Reproduction ou communication a des tiers interdite sous quelque forme que ce soit sans autorisation écrite du propriétaire. Propriete de c FCI. Droits de reproduction FCI.

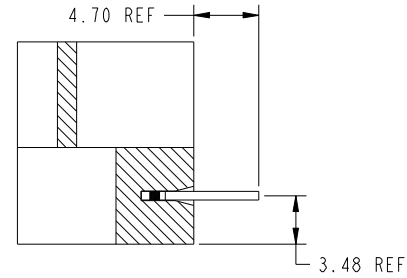


All rights strictly reserved. Reproduction or issue to third parties in any form whatever is not permitted without written authority from the proprietor. Property of FCI. Copyright FCI.

PRODUCT NUMBER
51952-113__
NOTE 3



SECTION B-B
SCALE 2:1



SECTION C-C
SCALE 2:1

mat'l code				tolerances unless otherwise specified		CUSTOMER		FCI	
ltr	ecr no.	dr	date	linear	0.X ±0.3	COPY		www.fciconnect.com	
A					0.XX ±0.13	projection		title	
				angles	0.XXX ±0.051			8P VERTICAL SOLDER HEADER	
				dr	0° ±2°	MIM		product family PwrBlade code	
				enr	JM GUO 02/02/07			size	
				chr	RYAN YUAN 02/02/07	scale		dwg no	
				appd	BEER FU 02/02/07	1:1		A 51952-113	
					JOSEPH HSIA 02/02/07			sheet	
sheet index		revision sheet						2 of 4	

cage code 22526

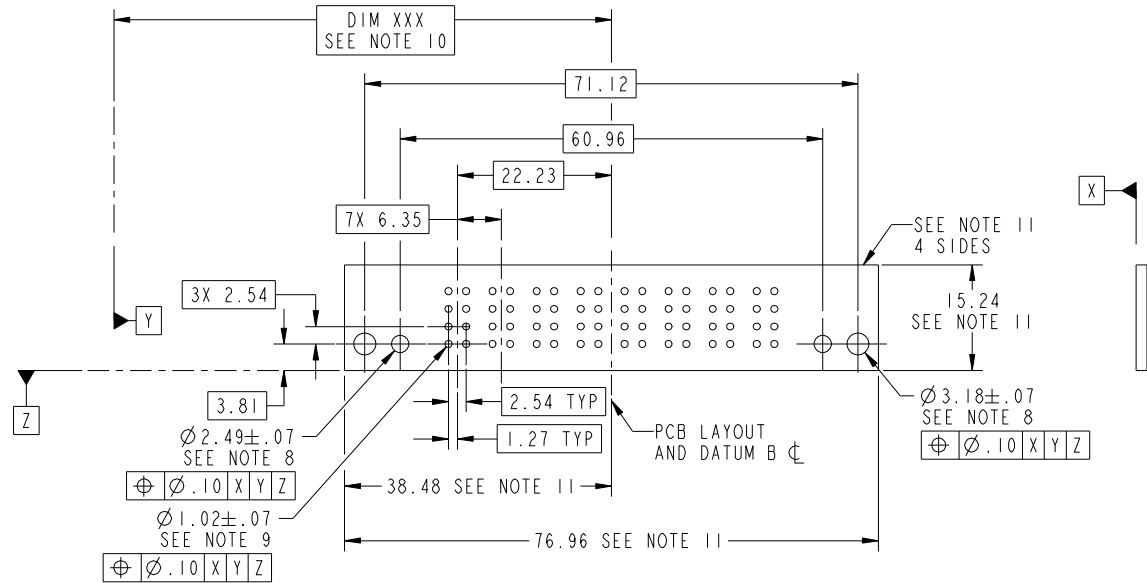
Pro/E

Tous droits strictement reserves. Reproduction ou communication a des tiers interdite sous quelque forme que ce soit sans autorisation écrite du propriétaire. Propriete de c FCI. Droits de reproduction FCI.



All rights strictly reserved. Reproduction or issue to third parties in any form whatever is not permitted without written authority from the proprietor. Property of FCI. Copyright FCI.

PRODUCT NUMBER
51952-113__
NOTE 3



mat'l code				tolerances unless otherwise specified		CUSTOMER		FCI	
ltr	ecn no.	dr	date	linear	0.X ± 0.3	COPY		www.fciconnect.com	
A					0.XX ± 0.13	projection		title	
				angles	0.XXX ± 0.051			8P VERTICAL SOLDER HEADER	
				dr	0° ± 2°			product family PwrBlade code	
				enrg	JM GUO 02/02/07	scale		size	
				chr	RYAN YUAN 02/02/07	1:1		dwg no	
				appd	BEER FU 02/02/07	A		51952-113	
					JOSEPH HSIA 02/02/07			sheet	
sheet index	revision sheet							3 of 4	

cage code 22526

Pro/E

Tous droits strictement reserves. Reproduction ou communication a des tiers interdite sous quelque forme que ce soit sans autorisation écrite du propriétaire. Propriete de c FCI. Droits de reproduction FCI.



All rights strictly reserved. Reproduction or issue to third parties in any form whatever is not permitted without written authority from the proprietor. Property of FCI. Copyright FCI.

PRODUCT NUMBER
51952-113--
NOTE 3

NOTES:

1. DIMENSIONS AND TOLERANCES ARE IN ACCORDANCE WITH ASME Y14.5M, 1994 UNLESS OTHERWISE SPECIFIED.

CONNECTOR NOTES:

- 2 HOUSING MATERIAL: UL 94 V-0 GLASS FILLED
HIGH-TEMP THERMOPLASTIC
POWER CONTACT MATERIAL: COPPER ALLOY
SIGNAL PIN MATERIAL: COPPER ALLOY
 - 3. PLATING:
51952-113 ,51952-113LF PLATING SPEC. WAS SHOWN IN THE PRINT OF 10064183.
 - 4 MANUFACTURER'S NAME, P/N, AND DATE CODE TO APPEAR ON THIS SURFACE.
 - 5. PRODUCT SPECIFICATION GS-12-149.
APPLICATION SPECIFICATION BUS-20-067.
 - 6. PACKAGED IN TRAYS.
- PCB NOTES:
- 7. ALL HOLE DIAMETERS ARE FINISHED HOLE SIZE.
 - 8. MOUNTING HOLES, WHERE APPLICABLE, ARE UNPLATED.
 - 9 $\varnothing 1.151 \pm 0.025$ DRILLED HOLES PLATED WITH
0.008 MIN SnPb OR Sn OVER .001 [0.03]
TO 0.08 Cu PLATING TO ACHIEVE
 $\varnothing 1.02 \pm .07$ HOLE.
 - 10 "DIM XXX" TO BE DETERMINED BY THE CUSTOMER.
 - 11 CONNECTOR KEEP-OUT ZONE.

mat'l code				tolerances unless otherwise specified		CUSTOMER			
ltr	ecn no.	dr	date	linear	0.X ± 0.3	COPY		www.fciconnect.com	
A				projection	0.XX ± 0.13	title		8P	
				angles	0.XXX ± 0.051	VERTICAL SOLDER HEADER			
				dr	0° ± 2°	product family		PwrBlade code	
				enr	JM GUO 02/02/07	size		213	
				chr	RYAN YUAN 02/02/07	dwg no		sheet	
				appd	BEER FU 02/02/07	scale		4 of 4	
					JOSEPH HSIA 02/02/07	A		51952-113	
sheet index	revision sheet					1:1			

cage code 22526

Pro/E