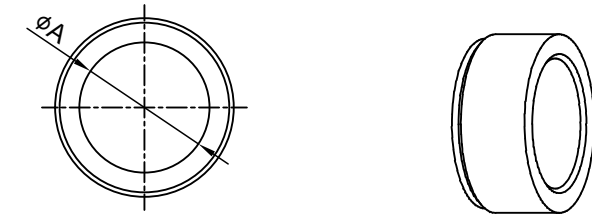
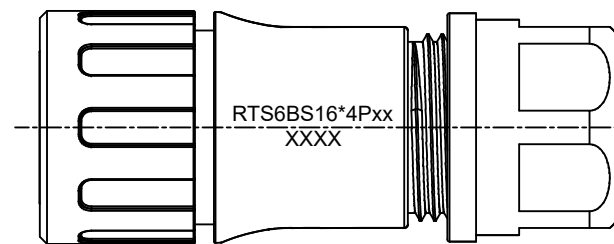
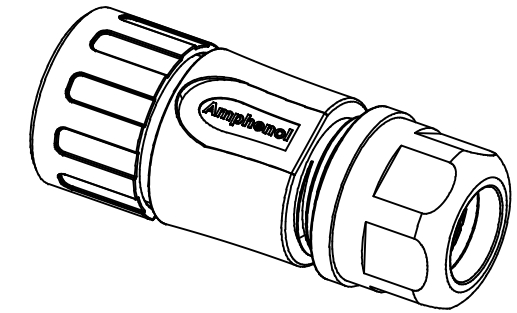
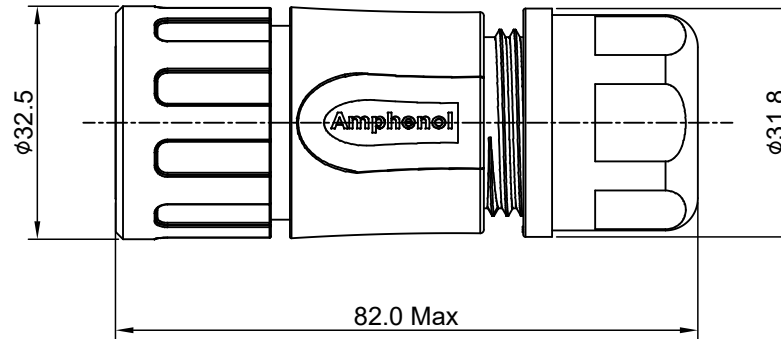
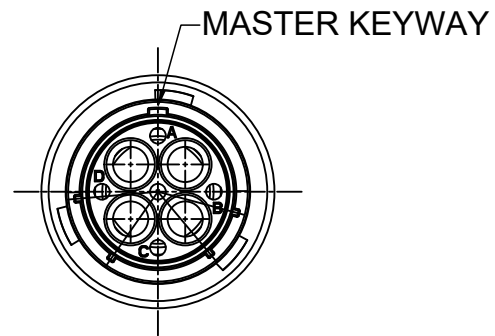


| REVISIONS | | | | | |
|-----------|-----|------------------|-------------|-------|-------|
| REV | ECO | DESCRIPTION | DATE | BY | APPR |
| A1 | -- | RELEASED DRAWING | Dec-26-2016 | Ben | Tommy |
| A2 | -- | UPDATE NOTES | Jul-04-2017 | Nick | Tommy |
| A3 | -- | UPDATE DRAWING | Mar-20-2018 | White | Tommy |



NOTES : (UNLESS OTHERWISE SPECIFIED)

- MATERIAL :
 - SHELL : THERMOPLASTIC , UL94 V-0.
 - INSERT : THERMOPLASTIC , UL94 V-0.
 - COUPLING NUT : THERMOPLASTIC , UL94 V-0.
 - O-RING : NBR/SILICONE RUBBER.
 - WASHER: SILICONE RUBBER.
 - BACK SHELL : THERMOPLASTIC , UL94 V-0.
 - CLAMP NUT : THERMOPLASTIC , UL94 V-0.
 - CLAMP RING : THERMOPLASTIC , UL94 V-0.
 - CABLE SEAL : EPDM.
- SPECIFICATIONS :
 - 2.1 RATED CURRENT : 45A (MAX) .
 - 2.2 RATED VOLTAGE : 500V(AC/DC).
 - 2.3 OPERATING TEMPERATURE : SEE TABLE .
 - 2.4 DIELECTRIC WITHSTANDING VOLTAGE : LESS THAN 2 MILLIAMPS CURRENT LEAKAGE@2000 VOLTS AC.
 - 2.5 INSULATION RESISTANCE : 5000 MEGOHMS MIN.
 - 2.6 IP--CLASS : IP67 AND IP69K IN THE MATED CONDITION.
 - 2.7 MATING CYCLES DURABILITY : 500 CYCLES MIN.
 - 2.8 RoHS COMPLIANT.
- SUITABLE CONTACTS : 8# CONTACT.
- ALL DIMENSIONS ARE FOR REFERENCE USE ONLY.

| DIMENSION ϕA | CABLE OD RANGE |
|--------------------|----------------|
| 14.5 MM | 10.0-14.0 MM |
| 17.5 MM | 13.5-17.0 MM |

| KEY | PART NUMBER | |
|-----|-------------|----------------|
| | | -40°C ~ +105°C |
| N | RTS6BS16N4P | RTS6BS16N4P03 |

| QUANTITY | PART NUMBER | DESCRIPTION | ITEM | | | | | | | | | | | | | | |
|--|-------------|---|----------|------------|---------|--------------|-------------|--------------|---------------|-----------|--|-----------------|-------------|----|------|---|---|
| MATERIALS LIST | | | | | | | | | | | | | | | | | |
| UNLESS OTHERWISE SPECIFIED 1) All dimensions are in metric(mm). 2) Tolerances are as follows: 1 PL DEC ±0.30 2 PL DEC ±0.15 3 PL DEC ±0.08 3) Note reference = | | <table border="1"> <thead> <tr> <th>SIGNATURES</th> <th>DATE</th> </tr> </thead> <tbody> <tr> <td>DRAWN: White</td> <td>Mar-20-2018</td> </tr> <tr> <td>CHECKED: Tod</td> <td>Mar-20-2018</td> </tr> <tr> <td>ENGINEER:</td> <td></td> </tr> <tr> <td>APPROVAL: Tommy</td> <td>Mar-20-2018</td> </tr> </tbody> </table> | | SIGNATURES | DATE | DRAWN: White | Mar-20-2018 | CHECKED: Tod | Mar-20-2018 | ENGINEER: | | APPROVAL: Tommy | Mar-20-2018 | | | | |
| SIGNATURES | DATE | | | | | | | | | | | | | | | | |
| DRAWN: White | Mar-20-2018 | | | | | | | | | | | | | | | | |
| CHECKED: Tod | Mar-20-2018 | | | | | | | | | | | | | | | | |
| ENGINEER: | | | | | | | | | | | | | | | | | |
| APPROVAL: Tommy | Mar-20-2018 | | | | | | | | | | | | | | | | |
| MATERIAL SPECIFICATIONS: | | <p style="text-align: center;">Amphenol</p> <p>Sine Systems - www.amphenol-sine.com 44724 Morley Drive Clinton Township, MI 48036</p> | | | | | | | | | | | | | | | |
| PROCESS SPECIFICATIONS: | | <p>ECO-MATE, PLUG, BACK SHELL, SIZE 16,4POS,PIN.</p> | | | | | | | | | | | | | | | |
| NEXT ASSY: | | <table border="1"> <tr> <td>SIZE</td> <td>TYPE</td> <td>DWG NO:</td> <td>REVISION</td> </tr> <tr> <td>B</td> <td>C-</td> <td>RTS6BS16*4Pxx</td> <td>A3</td> </tr> </table> | SIZE | TYPE | DWG NO: | REVISION | B | C- | RTS6BS16*4Pxx | A3 | <table border="1"> <tr> <td>SCALE:</td> <td>SHEET</td> <td>OF</td> </tr> <tr> <td>NONE</td> <td>1</td> <td>1</td> </tr> </table> | SCALE: | SHEET | OF | NONE | 1 | 1 |
| SIZE | TYPE | DWG NO: | REVISION | | | | | | | | | | | | | | |
| B | C- | RTS6BS16*4Pxx | A3 | | | | | | | | | | | | | | |
| SCALE: | SHEET | OF | | | | | | | | | | | | | | | |
| NONE | 1 | 1 | | | | | | | | | | | | | | | |

TITLE: ECO-MATE PLUG BACK SHELL SIZE 16,4POS,PIN
DWG NO: RTS6BS16*4Pxx
REV: A3
SH: 1
OF: 1