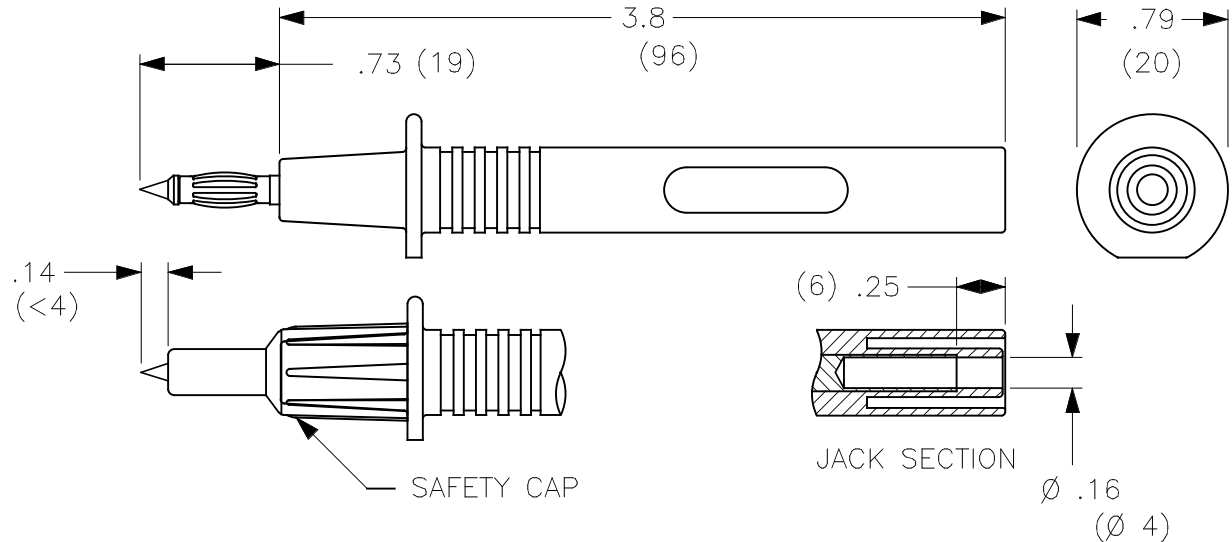


THIS IS ISSUED IN STRICT CONFIDENCE THAT IT IS NOT USED AS A BASIS FOR MANUFACTURE OR SALE AND THAT IT IS NOT COPIED, REPRINTED OR DISCLOSED TO A THIRD PARTY EITHER WHOLLY OR IN PART WITHOUT THE PRIOR WRITTEN CONSENT OF CAL TEST ELECTRONICS, INC.

- STANDARD PROBE BODY WITH 4 mm BANANA PLUG CONTACT ON THE TIP.
- SPECIFICATIONS:
INSULATOR: POLYAMIDE (NYLON).
PROBE TIP & BANANA PLUG JACK: BRASS, NICKEL PLATED
BANANA PLUG CONTACT: BeCu, NICKEL PLATED
- RATING:
VOLTAGE: (PER IEC 61010-031)
WITH SAFETY CAP: 1,000 V CAT III / 600 V CAT IV P2
WITHOUT SAFETY CAP: 1,000 V CAT II P2
CURRENT: 36 A MAX.
TEMPERATURE: -20° TO +80°C.

CE DECLARATION OF CONFORMITY
CONFORMS TO RoHS 2, ANNEX III 6(c) EXEMPTION.

REVISIONS			
REV.	DESCRIPTIONS	DATE	APPROVED
-	CLASS A RELEASED	7/21/00	
A	ADDED CAGE CODE; UPDATED IEC VOLTAGE SPECIFICATION, WAS CAT III.	6/10/05	



PART NUMBERS

CT2265-#

COLOR: **0** - BLACK
2 - RED

THIRD ANGLE PROJECTION		UNLESS OTHERWISE SPECIFIED DIMENSIONS ARE IN INCHES TOLERANCES ARE: FRACTIONS DECIMALS ± 1/32 .XX ± .02 .XXX ± .005 DO NOT SCALE DRAWING	CONTRACT NO.		Cal Test Electronics 22820 Savi Ranch Parkway Yorba Linda, CA 92887-4610			
			APPROVALS	DATE	TITLE			
MATERIAL		DRAWN	WDH	7/21/00	STANDARD PROBE BODY w/4 mm BANANA PLUG CONTACT ON TIP			
FINISH		CHECKED			SIZE	CAGE CODE	DWG. NO.	REV.
NEXT ASSY	USED ON	ENGR.			A	43F45	P226500	B
APPLICATION		DESIGN ACTIVITY			SCALE	1:1	SHEET	1 OF 1