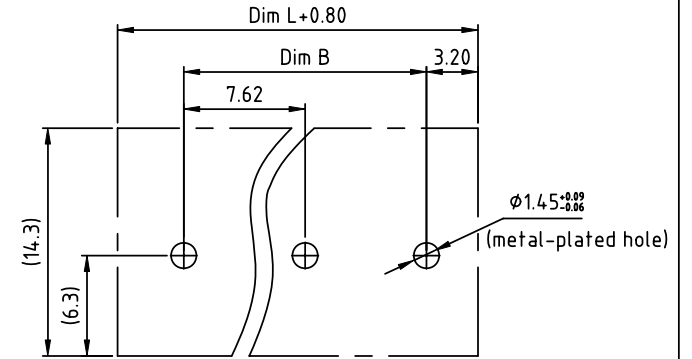
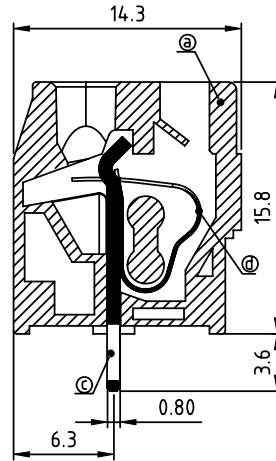
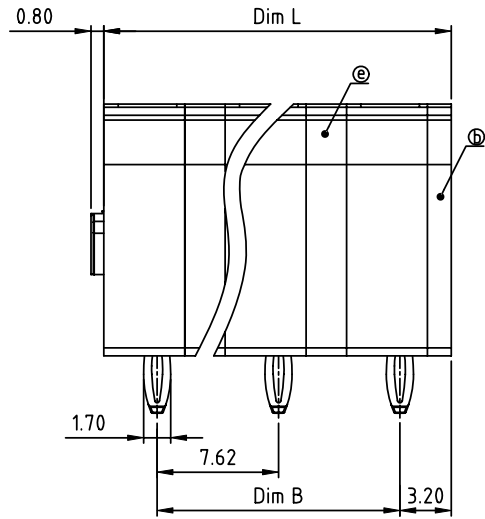
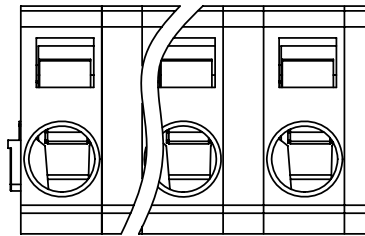


PRODUCT NUMBER	PITCH
HMxx40x100J0G	7.62mm



RECOMMENDED P.C.B LAYOUT  
TOP VIEW

Material:

- Item@Insulator body: Thermoplastic (UL94V-0)
- Item@Insulating cover: Thermoplastic (UL94V-0)
- Item@Solder pin: Brass.Tin plated
- Item@Wire guard: Stainless steel
- Item@Pad board: Thermoplastic (UL94V-0)

Electrical:

- Voltage rating: cULus 300V
- Current rating: 8A
- Wire range:
- Solid wire(AWG): 12-28
- Stranded wire(AWG): 12-28
- Wire strip length: 8-9mm
- Withstanding Voltage: 1.6KV
- Operating temperature: -40°C to +115°C
- Soldering temperature: 260°C±5°C/5 Sec
- Safety Approval: cULus

N=Number of poles  
Dim L=(N-1)×7.62+6.58  
Dim B=(N-1)×7.62

Poles	Dim L	Dim B
2-4p	±0.20	±0.15
5-8p	±0.30	±0.25
9-12p	±0.40	±0.35
13-16p	±0.45	±0.40

PART NO.: HM xx 40 x 100J0 G

No. of poles	Color	RoHS compliant
0	Black (RAL9005)	(lead<4%)
02 2 poles	Red (RAL3001/D)	In copper Alloy
03 3 poles	Orange(RAL2011/P)	
...	4 Yellow(RAL1018/A)	
...	5 Green(RAL6018/T)	
16 16 poles	6 Blue (RAL5015/A)	
	8 Grey(RAL7004/P)	
	9 White(RAL1102)	
	C Multiple colors	

mat'l. code		surface ASME Y14.5	tolerance ASME Y14.5	projection	product family
ltr ecn no dr date		tolerances unless otherwise specified		MM	TERMINAL BLOCK
angles		X.±0.5		scale	title
X*±1°		X.X±0.3			TERMINAL BLOCK
dr		X.XX±0.1			SPRING CLAMP,90D WIRE INLET,PRESS FIT
enr					scale
chr					dwg no
appd					sheet 1 of 1
					size
					HMxx40x100J0G
					A4
					type
					CUSTOMER Drawing
sheet index	revision	A			
	sheet	1			