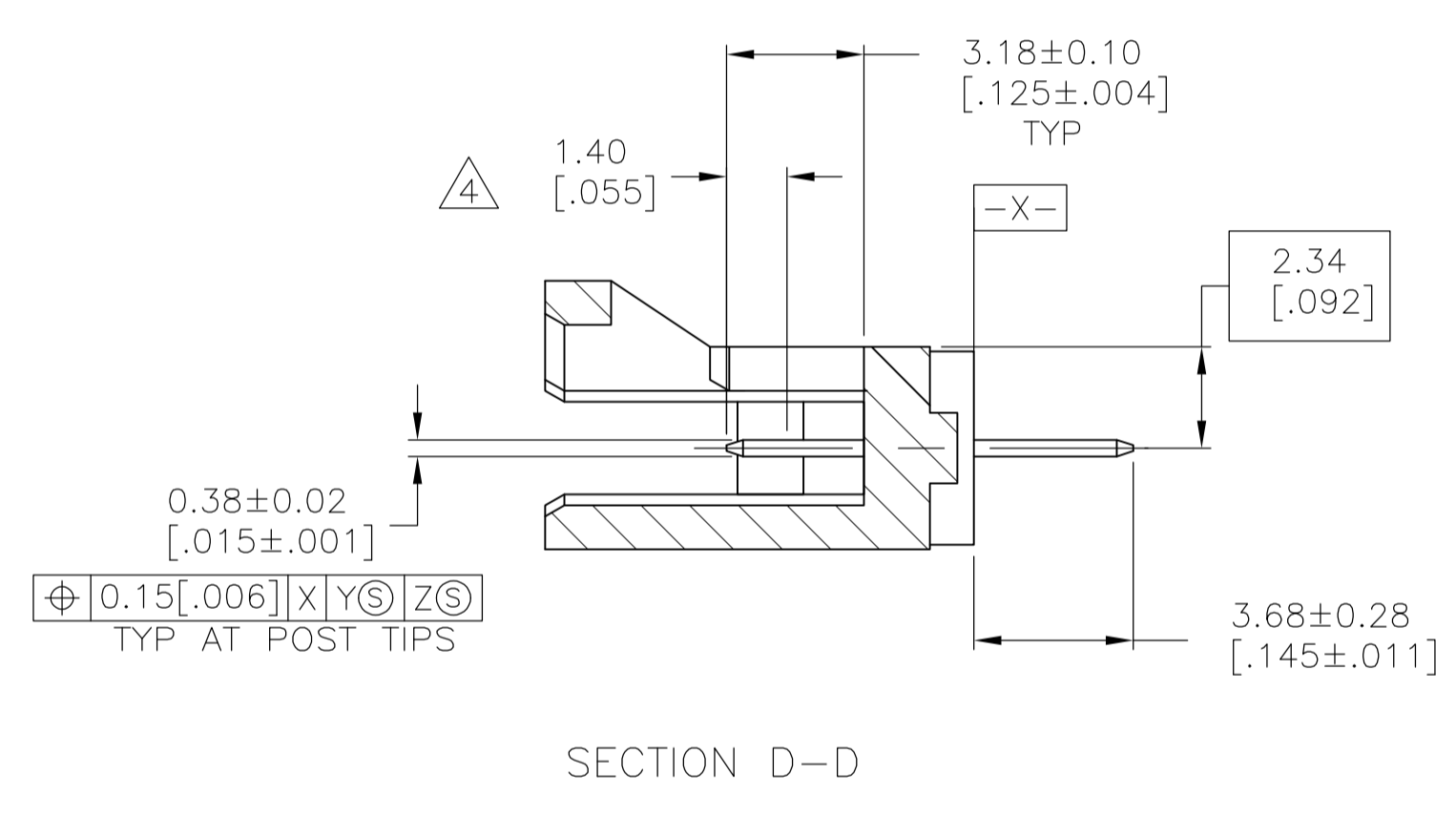
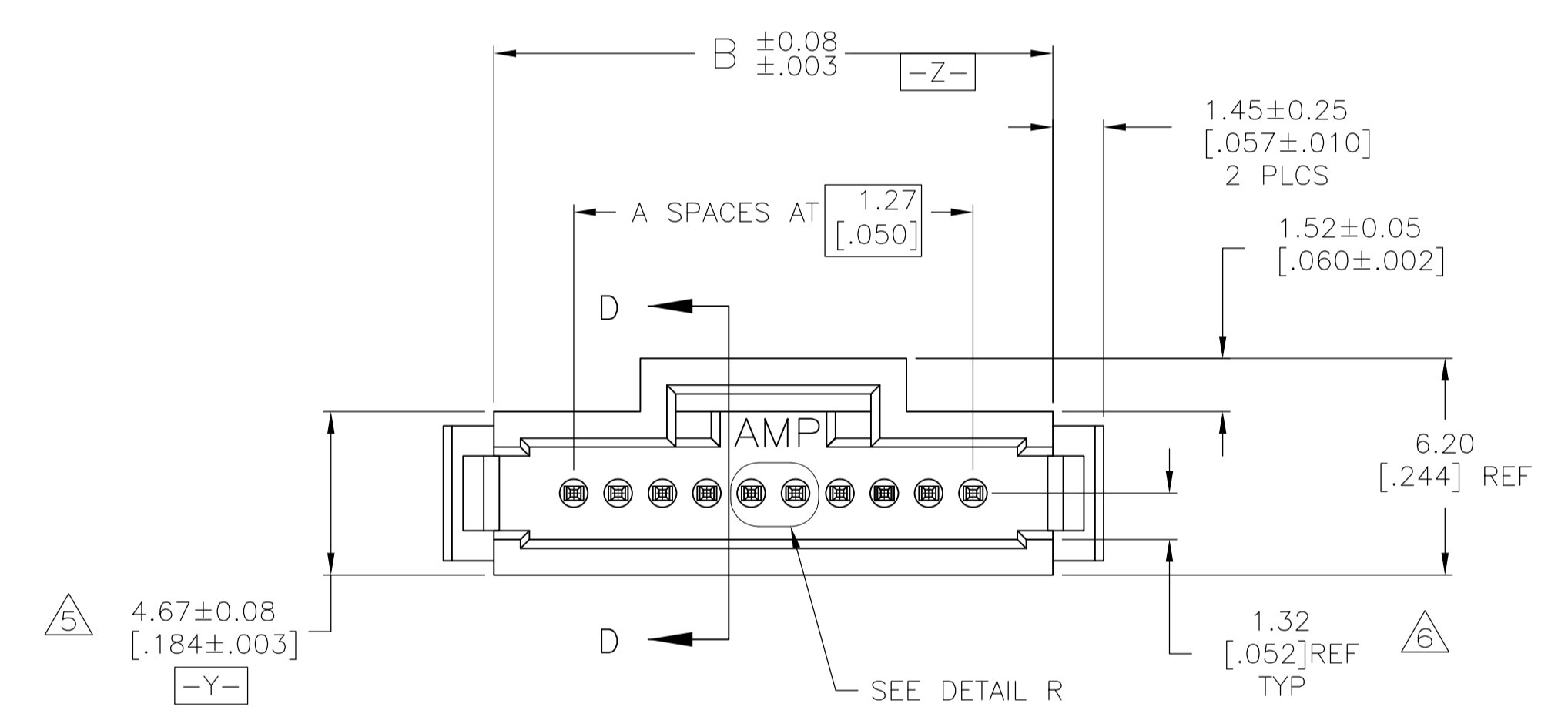
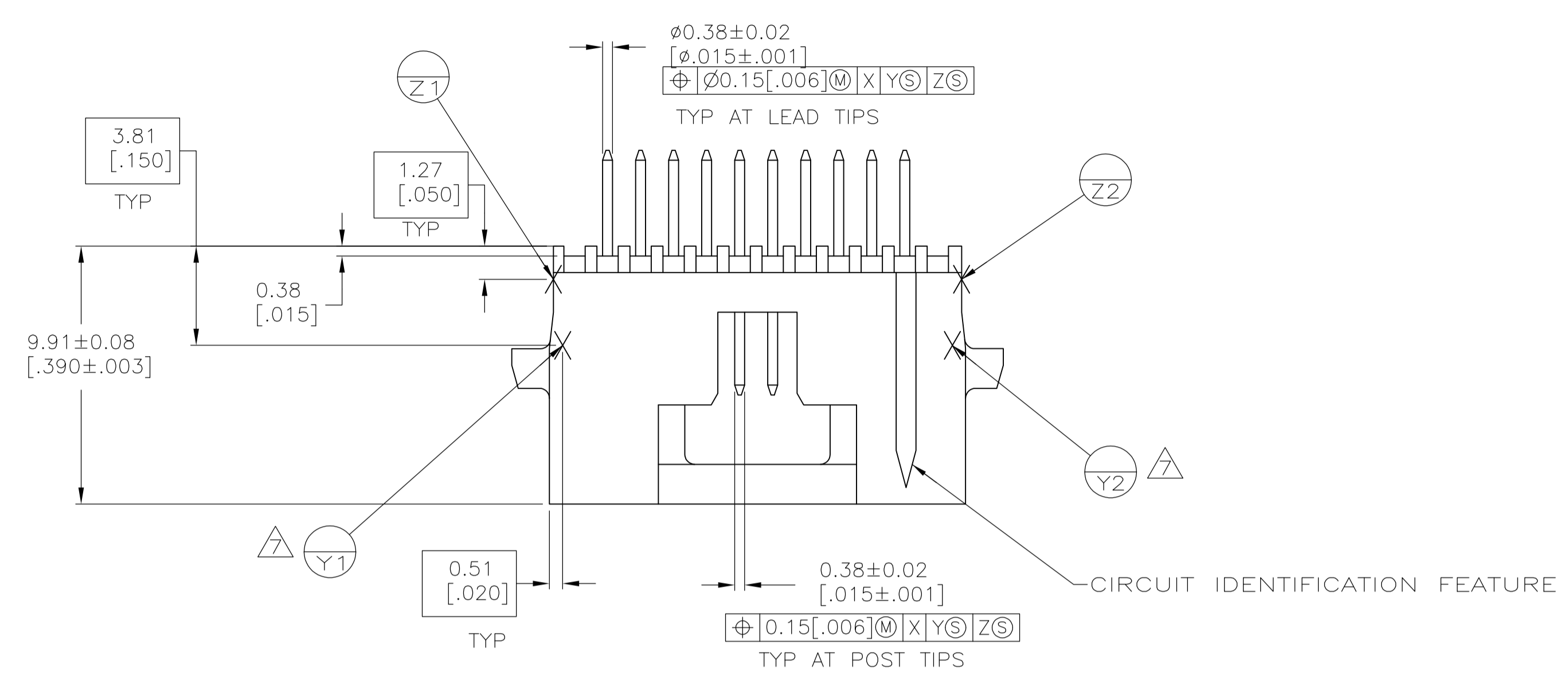
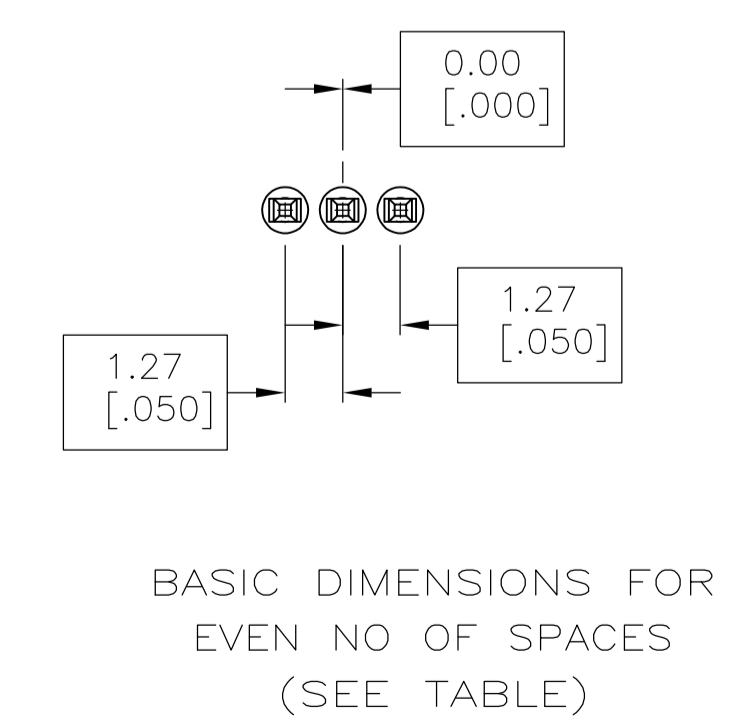
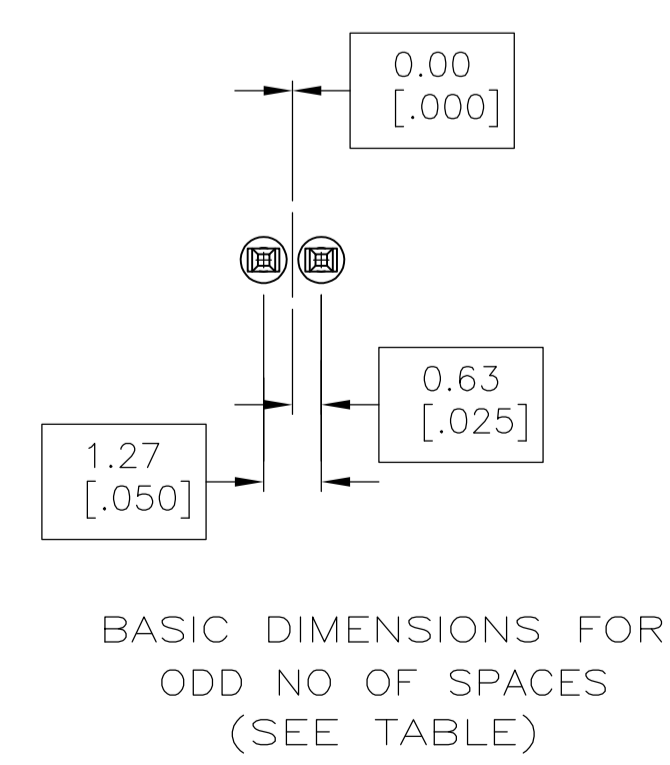
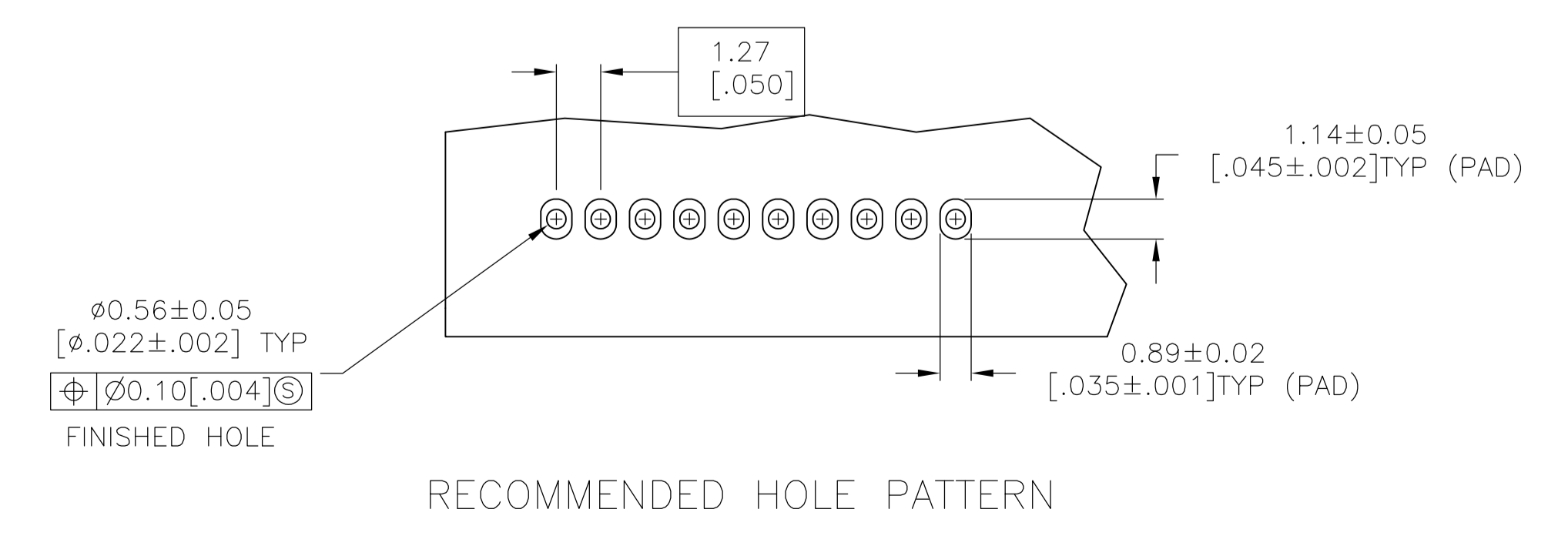


LOC		DIST		REVISIONS			
P	LTR	DESCRIPTION	DATE	DWN	APVD		
H		REVISED PER ECO-14-004696	11APR2014	NK	JO		



- 1 FLAME RETARDANT THERMOPLASTIC, COLOR - BLACK
- 2 CONTACT: COPPER ALLOY
- 3 0.00076[.000030] GOLD ON CONTACT AREA, SOLDER LEADS PLATED WITH 0.0038[.000150] MIN TIN-LEAD, ALL OVER 0.00127[.000050] NICKEL
- 4 POINT OF MEASUREMENT FOR GOLD THICKNESS
- 5 DIMENSION APPLIES AT BASE OF SHROUD
- 6 THE NOTED DIMENSION APPLIES AT THE INTERSECTION OF THE POST AND HOUSING
- 7 (Y3) (Y4) ARE LOCATED THE SAME AS (Y1) (Y2) EXCEPT ON OPPOSITE SIDE OF HOUSING
- 8 0.00076[.000030] GOLD ON CONTACT AREA, SOLDER LEADS PLATED WITH 0.0038[.000150] MIN TIN, ALL OVER 0.00127[.000050] NICKEL
- 9 FINISH: 0.00002 [.000001] MIN GOLD ON GOLD PLATED AREA, 0.00381-0.00635 [.000150-.000250] MATTE TIN-LEAD ON TIN PLATED AREA. UNDER PLATING TO BE 0.00127-0.00254 [.000050-.000100] NICKEL ON ENTIRE CONTACT
- 10 FINISH: 0.00002 [.000001] MIN GOLD ON GOLD PLATED AREA, 0.00381-0.00635 [.000150-.000250] MATTE TIN ON TIN PLATED AREA. UNDER PLATING TO BE 0.00127-0.00254 [.000050-.000100] NICKEL ON ENTIRE CONTACT
- 11 OBSOLETE PARTS: OBSOLETE CIS STREAMLINING PER D.RENAUD/D.SINISI
- 12 OBSOLETE
- 13 PRELIMINARY - NOT FOR PRODUCTION



DETAIL R

THIS DRAWING IS A CONTROLLED DOCUMENT.		DIN KATE HELM 07/12/91	TE Connectivity	
DIMENSIONS: mm [INCHES]		TOLERANCES UNLESS OTHERWISE SPECIFIED:	NAME: HDR ASSY,VERT,SGL-ROW W/SIDE & END LATCHES AMPMODU System 50	
0 PLC ± - 1 PLC ± - 2 PLC ± 0.13[.005] 3 PLC ± - 4 PLC ± - ANGLES ± -		APVD: - PRODUCT SPEC: 108-1093 APPLICATION SPEC: 114-25031	SIZE: A1 CAGE CODE: 00779 DRAWING NO: 104804	RESTRICTED TO: - SCALE: 6:1 SHEET: 1 OF 2 REV: H
MATERIAL: SEE TABLE		WEIGHT: -	CUSTOMER DRAWING	

10	18.54 [.730]	11	12	3-104804-3
	22.35 [.880]	14	15	3-104804-2
	35.05 [1.380]	24	25	7-104804-1
8	18.54 [.730]	11	12	11-104804-3
	22.35 [.880]	14	15	11-104804-2
	35.05 [1.380]	24	25	5-104804-1
FINISH	B	A	NO OF POSN	PART NUMBER

9	18.54 [.730]	11	12	2-104804-3
	22.35 [.880]	14	15	13-104804-2
	35.05 [1.380]	24	25	13-104804-1
3	18.54 [.730]	11	12	104804-3
	22.35 [.880]	14	15	11-104804-2
	35.05 [1.380]	24	25	12-104804-1
FINISH	B	A	NO OF POSN	PART NUMBER

THIS DRAWING IS A CONTROLLED DOCUMENT.		DIN	KATE HELM	07/12/91
DIMENSIONS: mm [INCHES]		CHK		
TOLERANCES UNLESS OTHERWISE SPECIFIED:		APVD		
0. PLC	± -	NAME		
1. PLC	± -	HDR ASSY,VERT,SGL-ROW		
2. PLC	± 0.13[.005]	W/SIDE & END LATCHES		
3. PLC	± -	AMPMODU System 50		
4. PLC	± -	PRODUCT SPEC	108-1093	
ANGLES	± -	APPLICATION SPEC	114-25031	
MATERIAL	SEE TABLE	SIZE	CAGE CODE	DRAWING NO
		WEIGHT	A1	00779
		CUSTOMER DRAWING	SCALE	6:1
			SHEET	2 OF 2
			REV	H