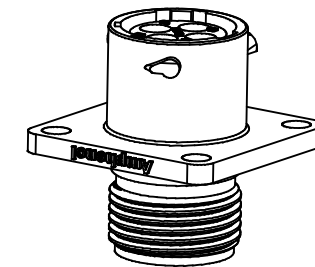
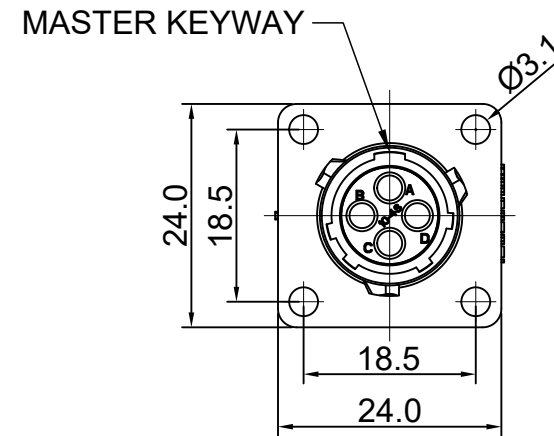
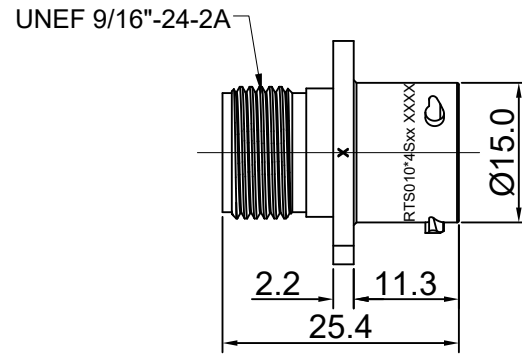
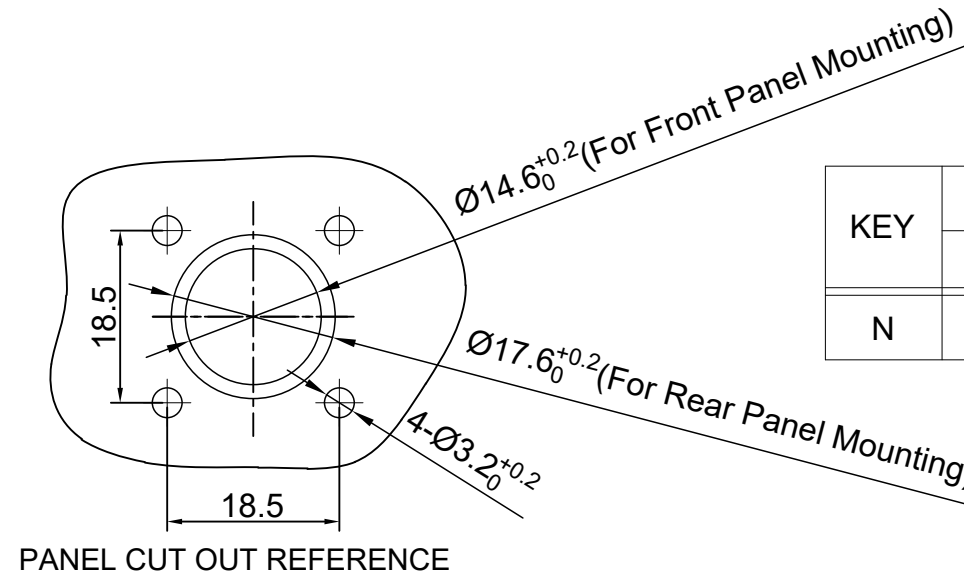


| REVISIONS | | | | | |
|-----------|-----|--------------------------------|-------------|-------|-------|
| REV | ECO | DESCRIPTION | DATE | BY | APPR |
| A1 | -- | FIRST RELEASED | Jul-01-2017 | Nick | Tommy |
| A2 | -- | UPDATE 3D VIEW | Jul-17-2017 | Nick | Tommy |
| A3 | -- | UPDATE PANEL CUT OUT REFERENCE | Aug.10.2017 | Nick | Tommy |
| A4 | -- | UPDATE DRAWING | Mar-19-2018 | White | Tommy |
| A5 | -- | UPDATE DRAWING | Apr-10-2018 | White | Tommy |



NOTES : (UNLESS OTHERWISE SPECIFIED)

- MATERIAL :
SHELL : THERMOPLASTIC , UL94 V-0.
INSERT : THERMOPLASTIC , UL94 V-0.
SEAL GASKET : NBR OR SILICONE RUBBER.
- SPECIFICATIONS :
2.1, RATED CURRENT : 13A (MAX).
2.2, RATED VOLTAGE : 500V(AC/DC).
2.3, OPERATING TEMPERATURE : SEE TABLE.
2.4, DIELECTRIC WITHSTANDING VOLTAGE : LESS THAN 2 MILLIAMPS CURRENT LEAKAGE@2000 VOLTS AC.
2.5, INSULATION RESISTANCE : 5000 MEGOHMS MIN.
2.6, IP-CLASS : IP67 AND IP69K IN THE MATED CONDITION, PANEL EXTERNAL.
- MATING CYCLES DURABILITY : 500 CYCLES MIN.
- RoHS COMPLIANT.
- SUITABLE CONTACTS : 16# CONTACT.
- ALL DIMENSIONS ARE FOR REFERENCE USE ONLY.



| KEY | PART NUMBER | |
|-----|-------------|---------------|
| | | -40°C ~ 105°C |
| N | RTS010N4S | RTS010N4S03 |

| QUANTITY | PART NUMBER | DESCRIPTION | ITEM |
|--|-------------|--|---|
| MATERIALS LIST | | | |
| UNLESS OTHERWISE SPECIFIED 1) All dimensions are in metric(mm). 2) Tolerances are as follows: 1 PL DEC ±0.30 2 PL DEC ±0.15 3 PL DEC ±0.08 3) Note reference = | | SIGNATURES DRAWN: White CHECKED: Tod ENGINEER: APPROVAL: Tommy | DATE Apr-10-2018 Apr-10-2018 Apr-10-2018 |
| MATERIAL SPECIFICATIONS: | | Amphenol Sine Systems - www.amphenol-sine.com 44724 Morley Drive Clinton Township, MI 48036 | |
| PROCESS SPECIFICATIONS: | | ECO-MATE, RECEPTACLE, FLANGE, SIZE 10, 4 POS, SOCKET | |
| NEXT ASSY: | | THIS DRAWING IS SUPPLIED FOR INFORMATION ONLY. DESIGN FEATURES, SPECIFICATIONS AND PERFORMANCE DATA SHOWN HEREON ARE THE PROPERTY OF THE AMPHENOL CORPORATION. NO RIGHTS OF REPRODUCTION ARE IMPLIED. ALL DIMENSIONS ARE SUBJECT TO NORMAL MANUFACTURING VARIATIONS. | SIZE: B C- TYPE: NONE DWG NO: RTS010*4Sxx REVISION: A5 |
| | | SCALE: NONE | SHEET 1 OF 1 |

TITLE: ECO-MATE, RECEPTACLE, FLANGE, SIZE 10, 4 POS, SOCKET
DWG NO: RTS010*4Sxx
REV: A5
SH: 1
OF: 1