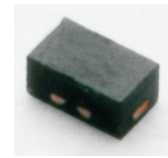


CPDZ5V0C-HF

RoHS Device
Halogen Free



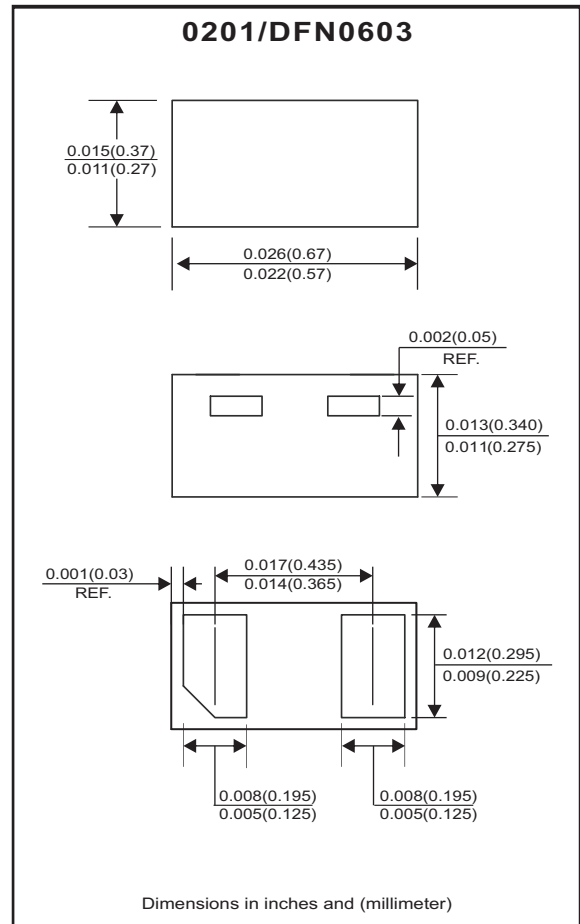
Features

- Bi-directional ESD protection.
- IEC61000-4-2 Level 4 ESD protection.
- Surface mount package.
- Ultra small SMD package:0201
- High component density.
- Low clamping voltage.
- Low leakage.

Mechanical data

- Case: 0201/DFN0603 package, molded plastic.
- Terminals: Gold plated, solderable per MIL-STD-750, method 2026.
- Polarity: Color band denotes cathode end.
- Mounting position: Any

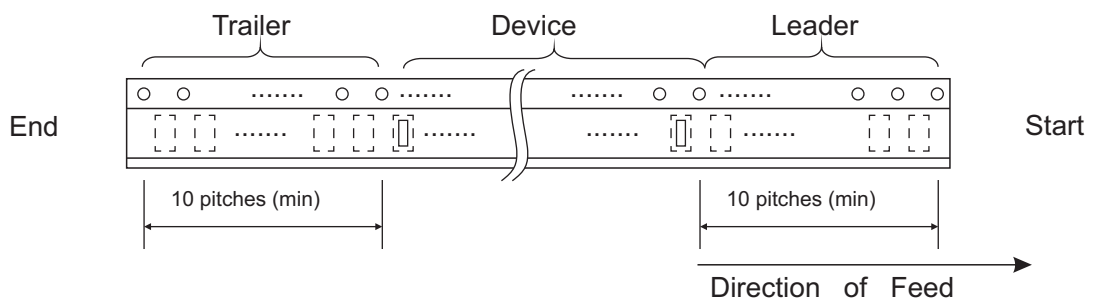
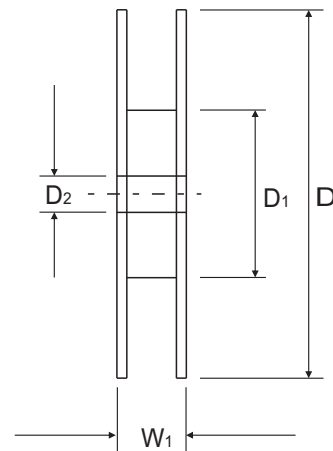
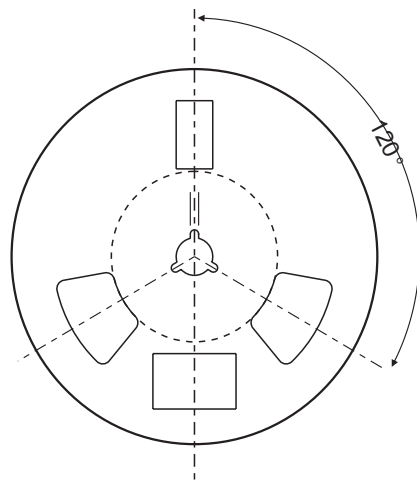
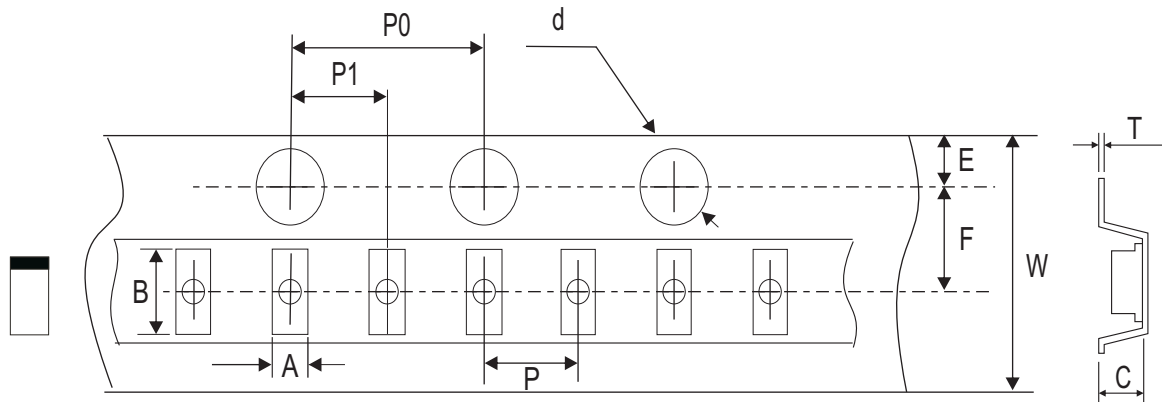
Circuit diagram



Electrical Characteristics (at TA=25°C unless otherwise noted)

Parameter	Conditions	Symbol	Min	Typ	Max	Unit
Reverse stand off voltage		V _{RWM}			5.0	V
Breakdown voltage	I _R = 1mA	V _{BR}	5.5		9.5	V
Reverse leakage current	V _R = 5V	I _R			100	nA
ESD capability	IEC 61000-4-2(air)	ESD			16	kV
	IEC 61000-4-2(contact)	ESD			8	kV
Clamping Voltage	I _{PP} = 1 A, t _p =8/20us	V _c			12	V
	I _{PP} = 2 A, t _p =8/20us	V _c			15	V
Max Peak Pulse current	T _P =8/20us	I _{PP}			2	A
Peak Pulse Power	T _P =8/20us	P _{PK}			30	W
Junction capacitance	V _R =0V, f =1MHz	C _j			6	pF
Operation temperature		T _j			125	°C
Storage temperature		T _{STG}	-55		150	°C

Reel Taping Specification



0201 (DFN0603)	SYMBOL	A	B	C	d	D	D ₁	D ₂
	(mm)	0.39 +0.03/-0.02	0.72 ± 0.03	0.36 ± 0.03	1.50 + 0.10	178 ± 1.00	54.4 ± 0.40	13.0 ± 0.20
	(inch)	0.015 +0.001/0.001	0.028 ± 0.001	0.014 ± 0.001	0.059 + 0.004	7.008 ± 0.039	2.142 ± 0.016	0.512 ± 0.008

0201 (DFN0603)	SYMBOL	E	F	P	P ₀	P ₁	T	W	W ₁
	(mm)	1.75 ± 0.10	3.50 ± 0.05	2.00 ± 0.05	4.00 ± 0.05	2.00 ± 0.05	0.23 ± 0.05	8.00 ± 0.10	12.30 ± 0.10
	(inch)	0.069 ± 0.004	0.138 ± 0.002	0.079 ± 0.004	0.157 ± 0.004	0.079 ± 0.004	0.009 ± 0.002	0.315 ± 0.008	0.484 ± 0.004

Company reserves the right to improve product design , functions and reliability without notice.

REV:

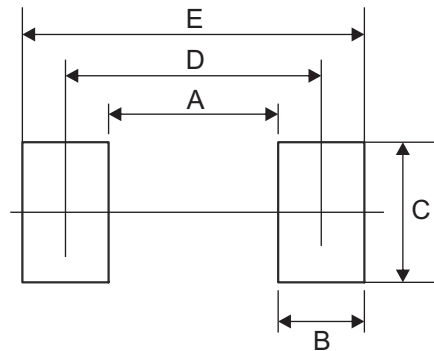
Marking Code

Part Number	Marking Code
CPDZ5V0C-HF	5



Suggested PAD Layout

SIZE	0201(DFN0603)	
	(mm)	(inch)
A	0.18	0.007
B	0.24	0.009
C	0.31	0.012
D	0.42	0.017
E	0.66	0.026



Standard Packaging

Case Type	Qty Per Reel	Reel Size
	(Pcs)	(inch)
0201(DFN0603)	10,000	7