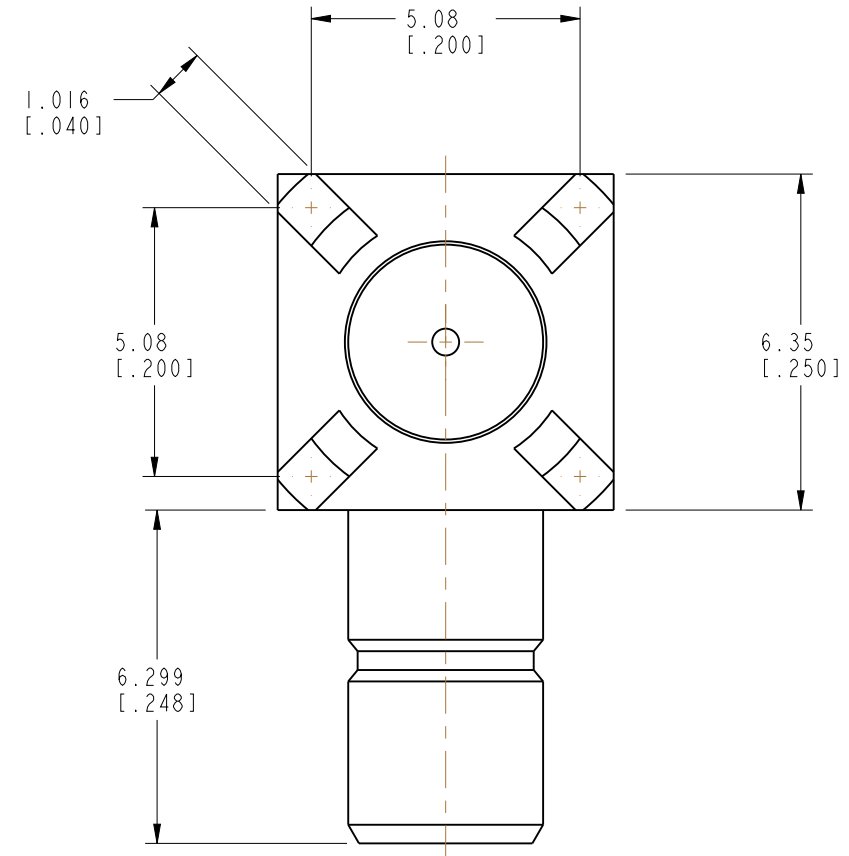
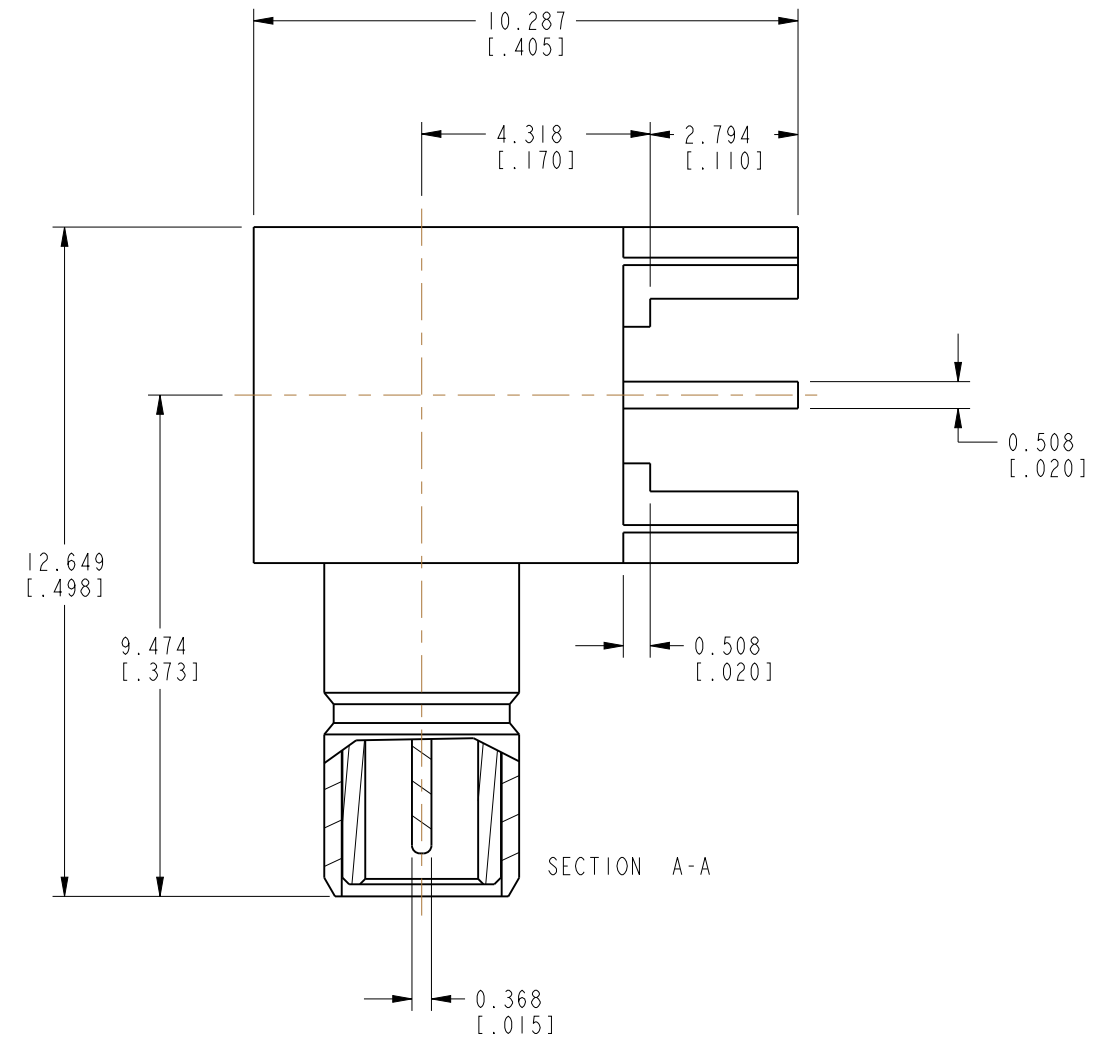


NOTES:
 1. DO NOT SCALE THIS DRAWING
 2. MATERIAL AND FINISH:
 SMB BODY BRASS, GOLD PLATED
 CUBE BODY BRASS, TIN PLATED
 INSULATORS TFE FLUOROCARBON
 CENTER CONTACT BERYLLIUM COPPER, GOLD PLATED

THIRD ANGLE PROJ.

REVISIONS				
REV	DESCRIPTION	DATE	ECO	APPR
A	OFFICIAL ENG. RELEASE TO MFG.	11-21-95	41033	PB/
B	REVISED	11-22-95	41066	PB/RV
C	SEE SHEET 1	2-3-05	45292	CPM
D	SEE SHEET 1	10/15/12	49159	EW



CUSTOMER OUTLINE DRAWING
 ALL OTHER SHEETS ARE FOR INTERNAL USE ONLY

UNLESS OTHERWISE SPECIFIED, DIMENSIONS ARE IN METRIC AND TOLERANCES ARE: <0.5mm ±0.05mm 0.5 - 6mm ±0.1mm 6 - 30mm ±0.2mm 30 - 120mm ±0.3mm ANGLES ±1° NOTICE - These drawings, specifications, or other data (1) are, and remain the property of Amphenol corp. (2) must be returned upon request; and (3) are confidential and not to be disclosed to any person other than those to whom they are given by Amphenol Corp. the furnishing of these drawings, specifications, or other data by Amphenol Corp., or to any other person to anyone for any purpose is not to be regarded by implication or otherwise in any manner licensing, granting rights to permitting such holder or any other person to manufacture, use or sell any product, process or design, patented or otherwise, that may in any way be related to or disclosed by said drawings, specifications, or other data.	MATERIAL	DRAWN ERIC WANKOFF	DATE 16-Jul-12	TITLE 75 OHM SMB JACK RIGHT ANGLE PC MOUNT	Amphenol RF www.amphenolrf.com
	REFERENCE EAR 111-965016 AT&T KS-24190, LI ISSUE 1 615X-1374-200	ENGINEER P. BRENZEL	DATE 10-26-95		
	FINISH	APPROVED K. CAPOZZI	DATE 8/15/12	ITEM NO. 903-519J-71P	
		CAD FILE	SCALE: 7.0:1.0	SHEET 2 OF 2	PART NO. 903-519J-71P