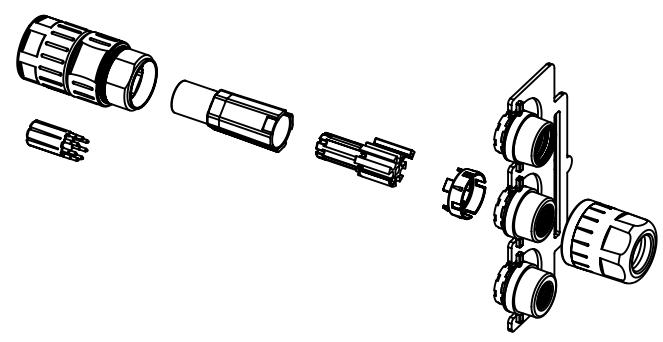


order contacts separately



5,7-8,8mm		AWG 26-22		21 01 100 9022	
cable Ø		wire gauge		part number	
All Dimensions in mm Original Size DIN A4	Scale 1:1	Free size tol.		Ref.	
				Sub. TB 21038212805 / 500000088640 / 2015-05-22	
All rights reserved Department EC PD - DE	Created by HASSE	Inspected by GENAU	Standardisation HOFFMANN	Date 2015-12-09	State Final Release
	Title M12 crimp Slim Design 8-pole A-coded female				Doc-Key / ECM-Nr. 100580366/UGD/000/B 500000098214
HARTING Electronics GmbH D-32339 Espelkamp		Type TB	Number 21038212805		Rev. <b>B</b> Page 1/1