

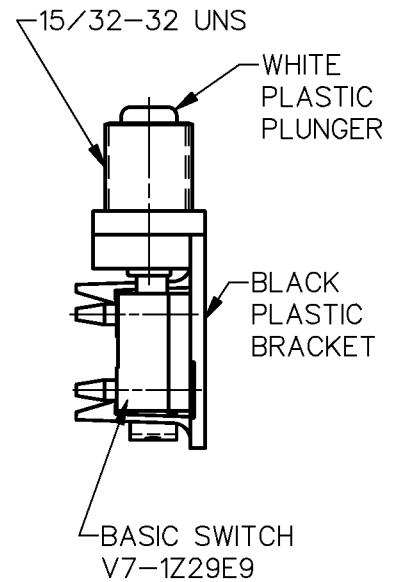
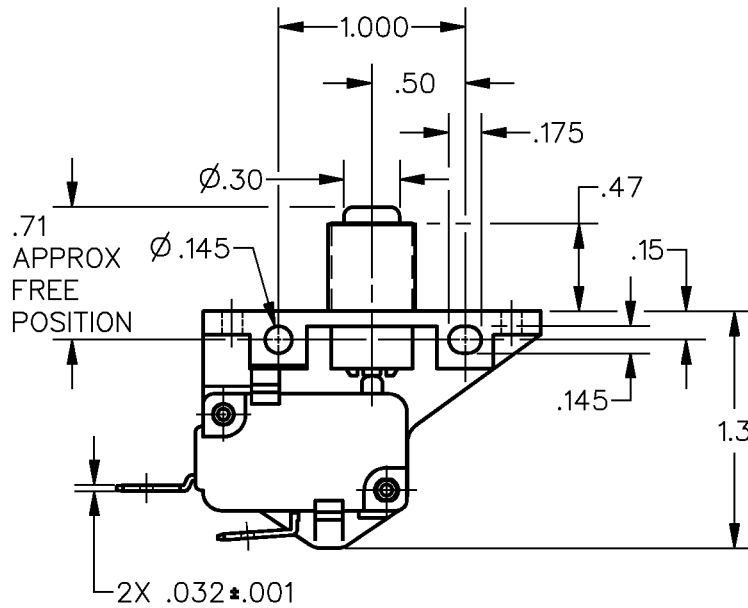
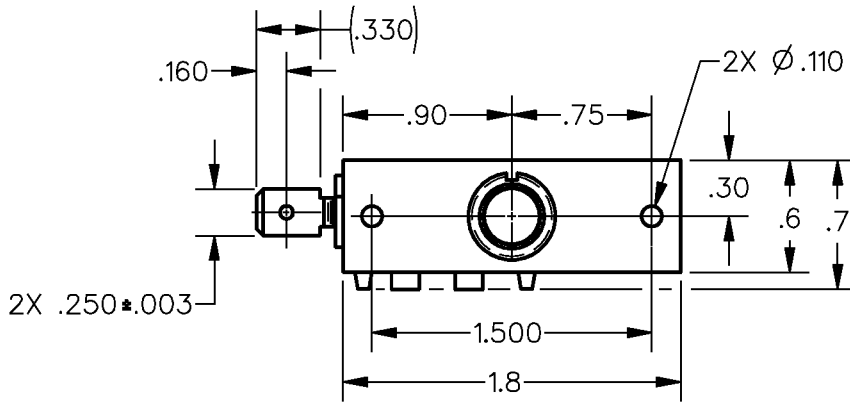
MICRO SWITCH
a Honeywell Division

FED. MFG. CODE 91 929

SWITCH - BASIC

CATALOG LISTING
3BV12B014

LP-R1657

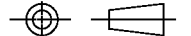


NOTE
1 - MARK BASIC SWITCH WITH V7-1Z29E9

ANSI Y14.5M-1982 APPLIES

THIS DRAWING COVERS A PROPRIETARY ITEM AND IS THE PROPERTY OF MICRO SWITCH, A DIVISION OF HONEYWELL. THIS DRAWING IS NOT TO BE COPIED OR USED WITHOUT THE APPROVAL OF MICRO SWITCH.

THIRD ANGLE PROJECTION



CHARACTERISTICS	ELECTRICAL DATA	SCALE FULL	DO NOT SCALE PRINT
		<p>OPERATING FORCE --- 270 GRAMS MAX</p> <p>PRETRAVEL --- .052 MAX</p>	
		<p>UNLESS OTHERWISE SPECIFIED TOLERANCES ARE</p> <p>ONE PLACE (.0) ± .030</p> <p>TWO PLACE (.00) ± .015</p> <p>THREE PLACE (.000) ± .005</p> <p>ANGLES ±</p>	
		WEIGHT	



CATALOG LISTING
3BV12B014
PAGE 1 OF 1

ISSUE
M
1

REPLACES X102247-BV

RELEASE NO. PR-22774

CHECK

REVISIONS

CHECK

CHECK

DDM/CAD
DRAWN
K D R 26 APR 97