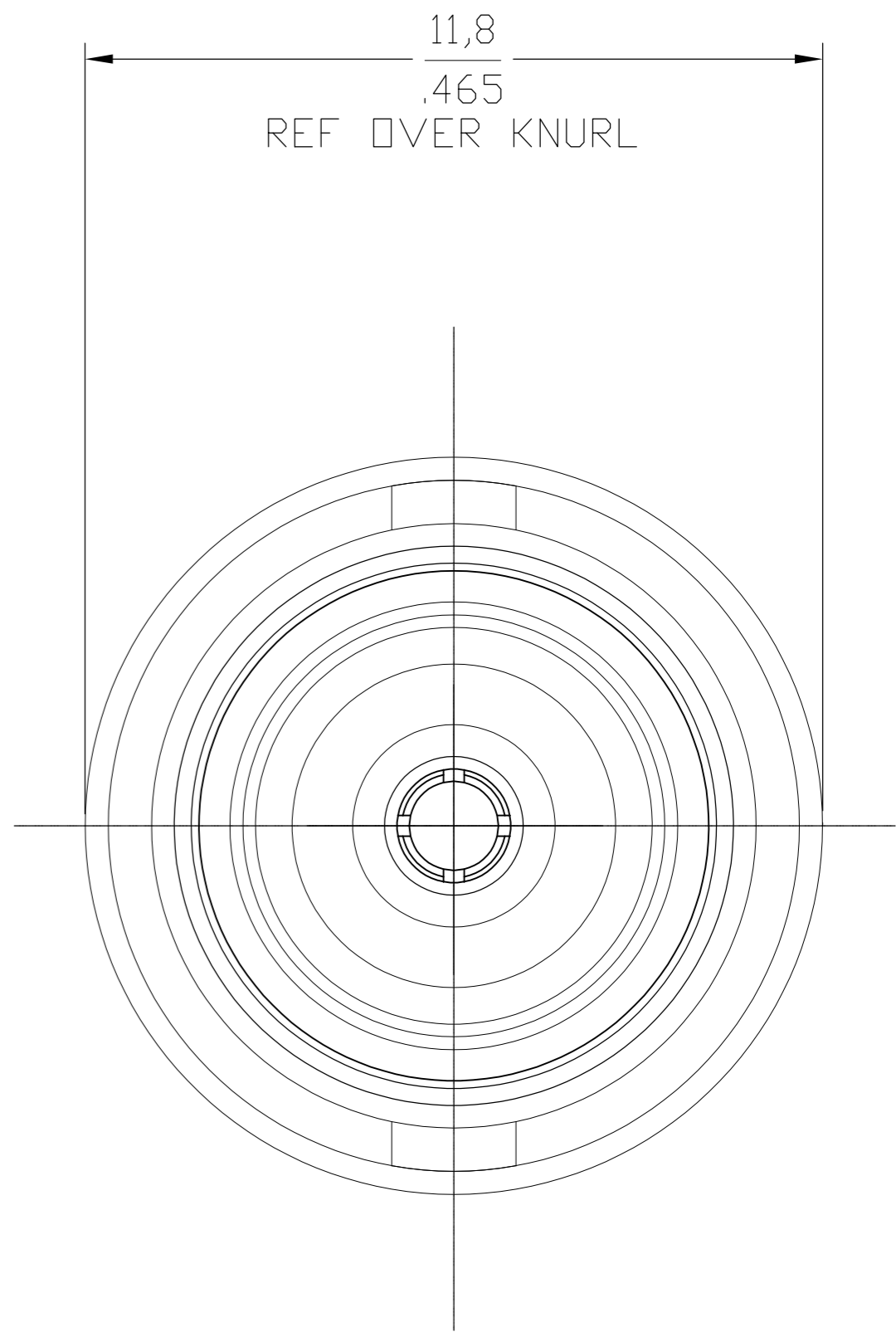
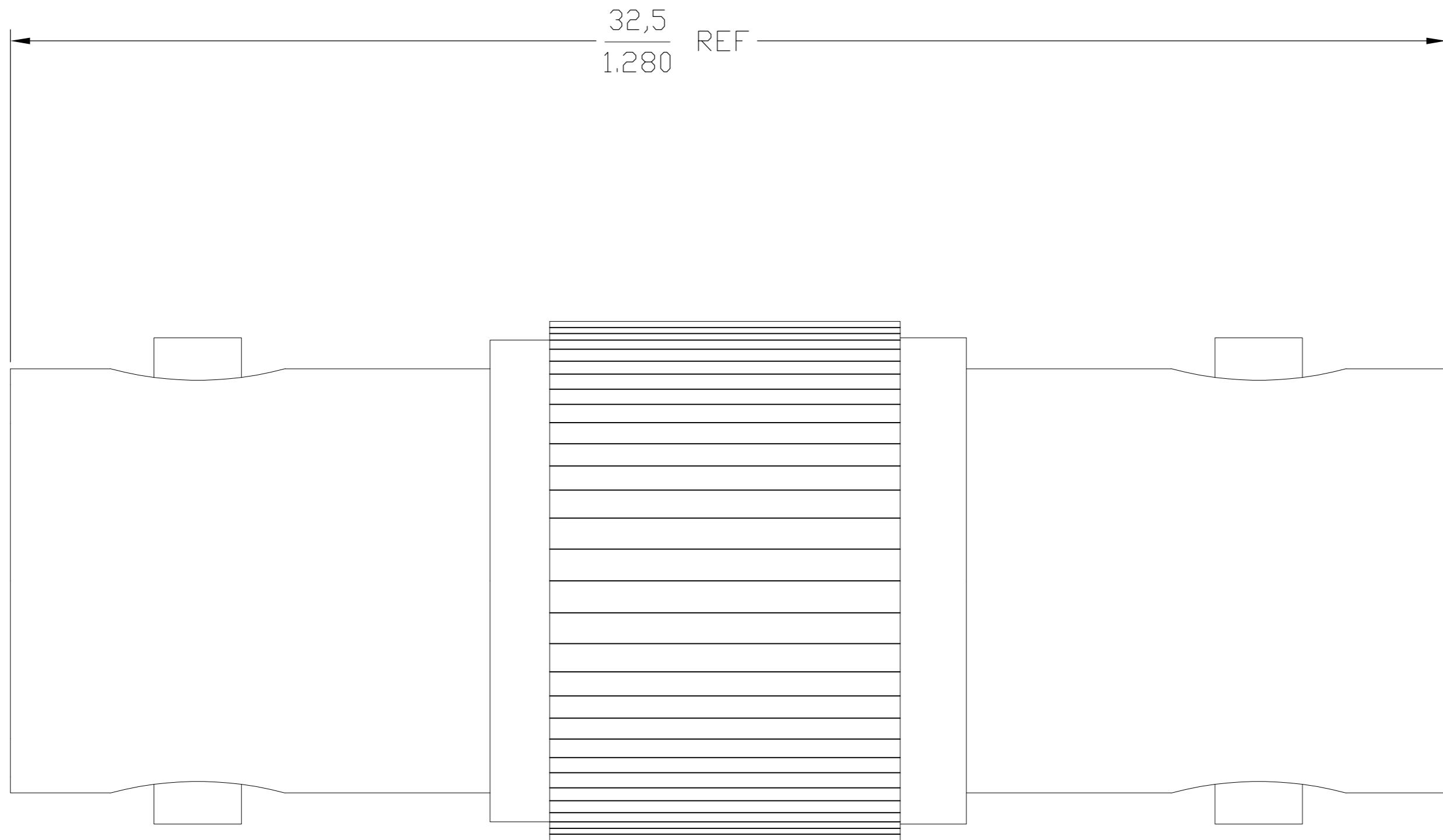


THIS DRAWING IS UNPUBLISHED. RELEASED FOR PUBLICATION
 © COPYRIGHT - By - ALL RIGHTS RESERVED.

LOC	DIST	REVISIONS			
P	LTR	DESCRIPTION	DATE	DWN	APVD
HC	00	A	ECR-12-005726	27MAR12	RK MY



JACK HOUSING BUSHING	BRASS PER ASTM-B-16	SILVER PLATE PER QQ-S-365
FEMALE CONTACT	BERYLLIUM COPPER PER ASTM-B-196 OR ASTM-B-197	
DIELECTRICS COMPONENT	PTFE PER ASTM-D-1710	N/A
	MATERIAL	FINISH

1310808-1
PART #

THIS DRAWING IS A CONTROLLED DOCUMENT.		DWN APS 03/18/80	TE TE Connectivity	
DIMENSIONS: mm [INCHES]		CHK APS 03/18/80		
TOLERANCES UNLESS OTHERWISE SPECIFIED:		APVD APS 03/18/80	NAME -	
±.127 MM		PRODUCT SPEC -	BNC STRAIGHT ADAPTOR (B37P34E999X)	
±.005 IN		APPLICATION SPEC -	SIZE A2	CAGE CODE 26805
ANGLES ± 1°		WEIGHT -	DRAWING NO C=1310808	RESTRICTED TO -
FINISH -		CUSTOMER DRAWING	SCALE 10:1	SHEET 1 of 1

1310808