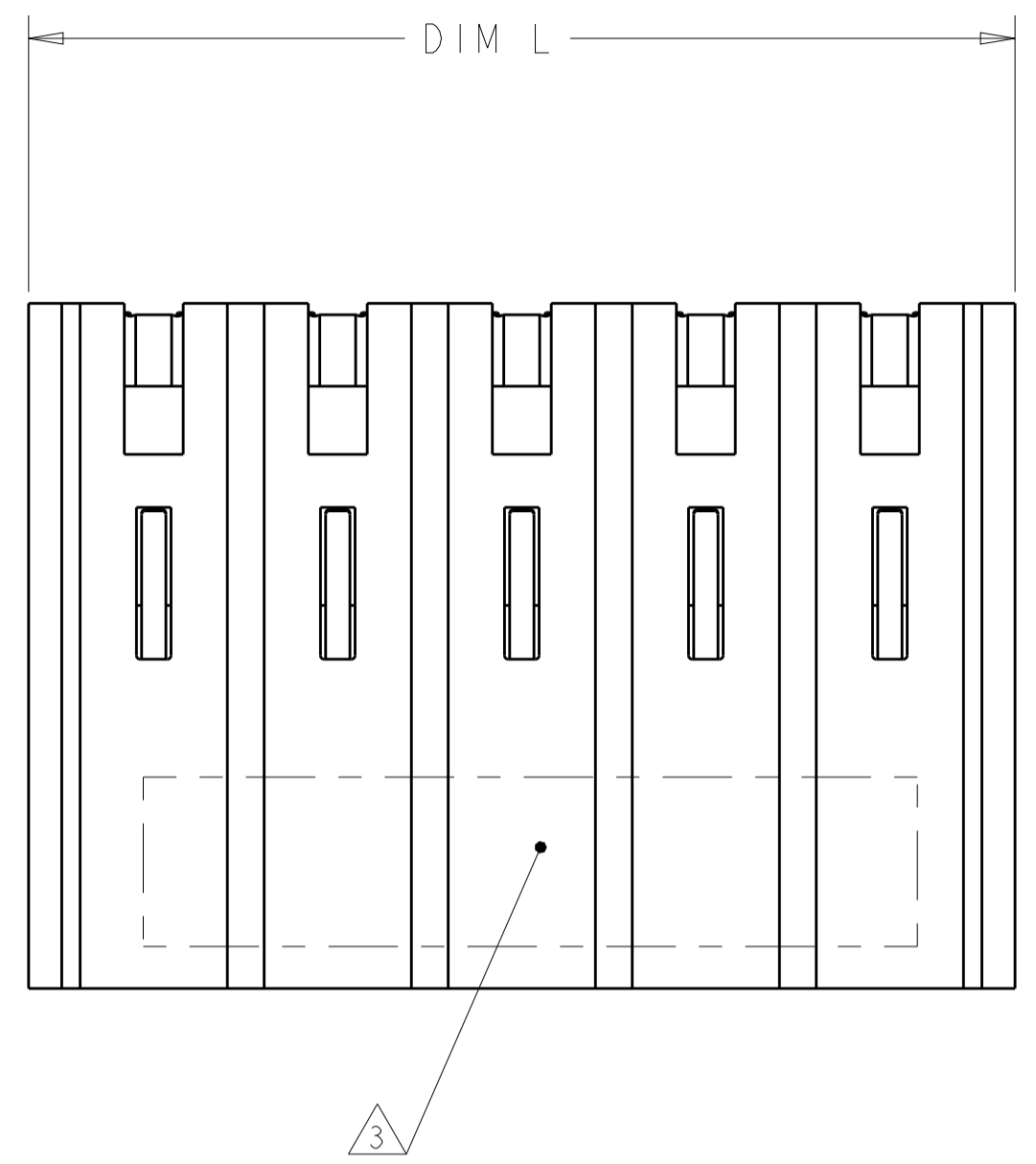
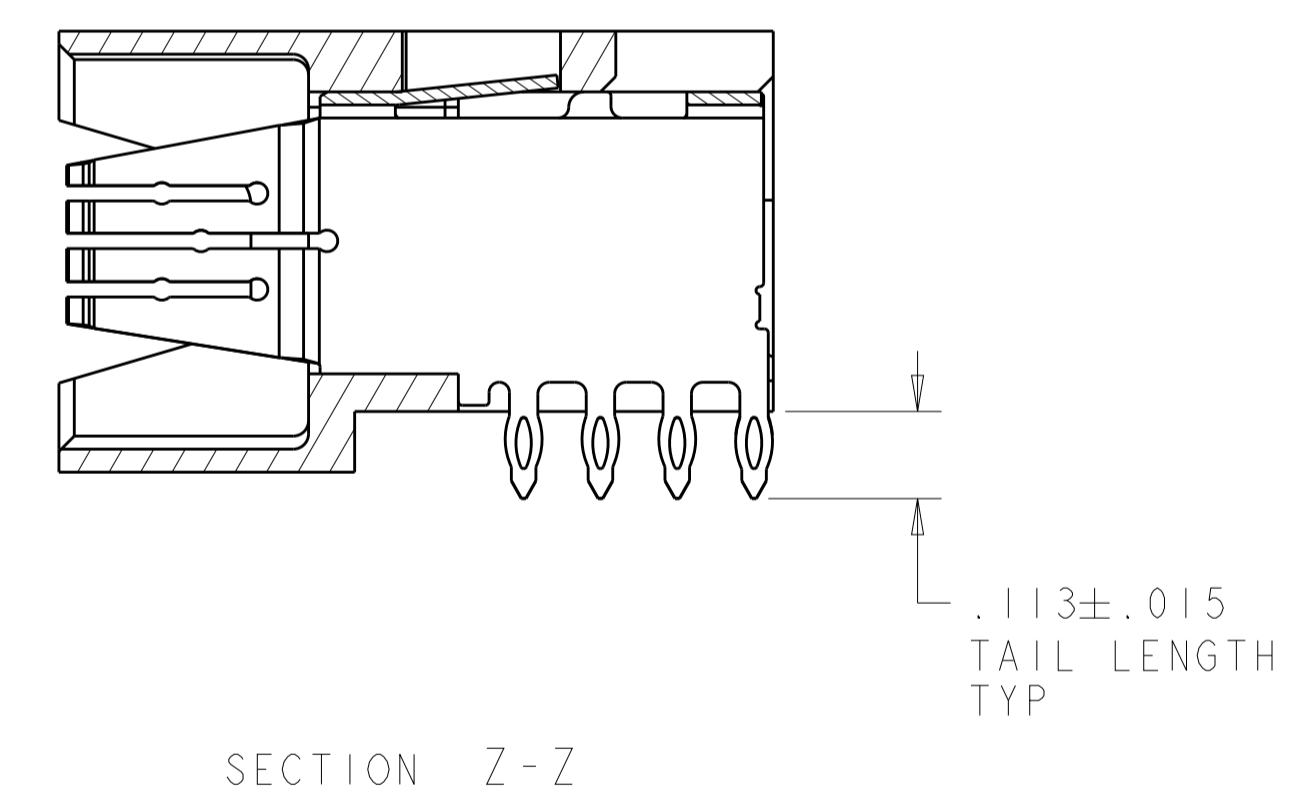
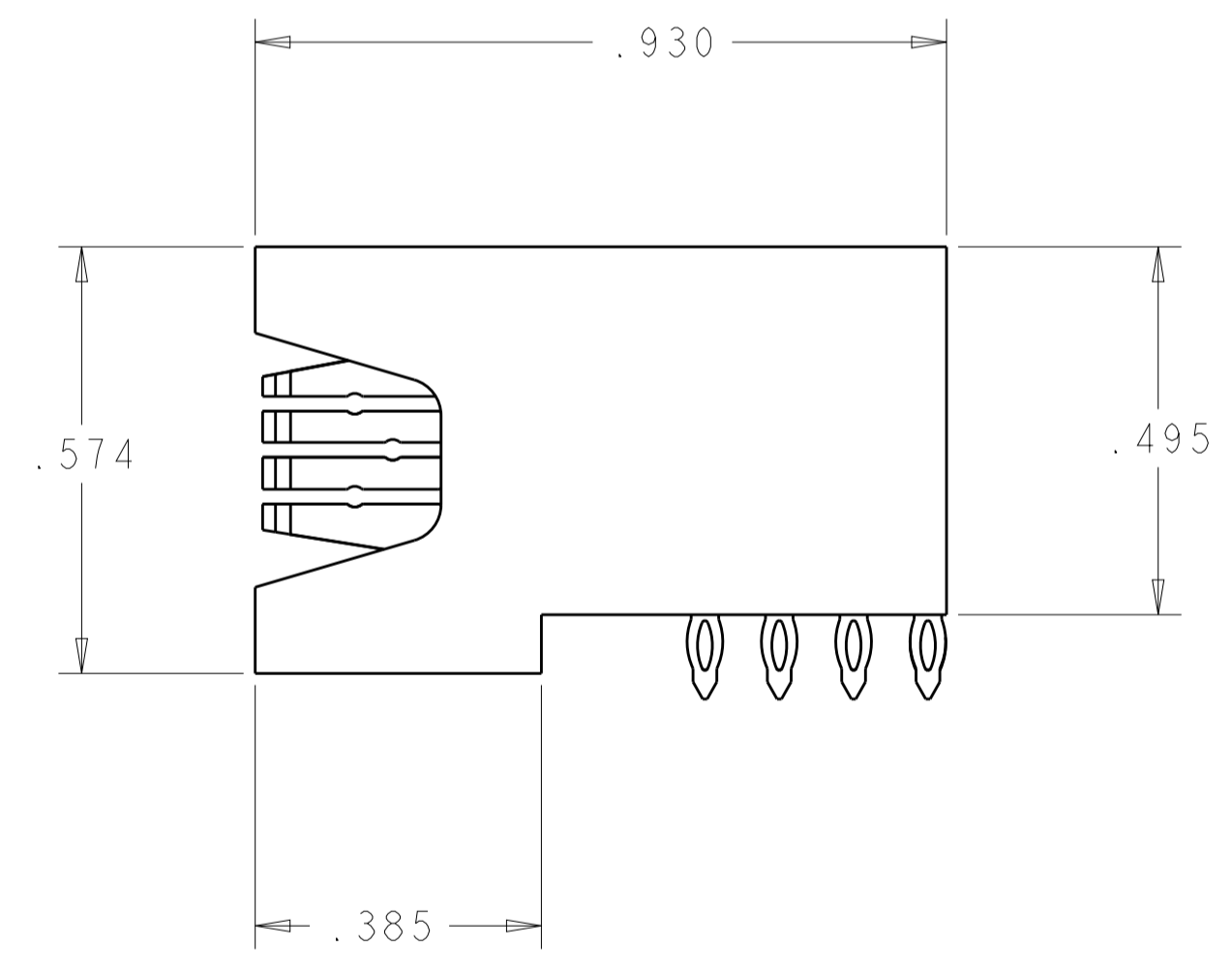
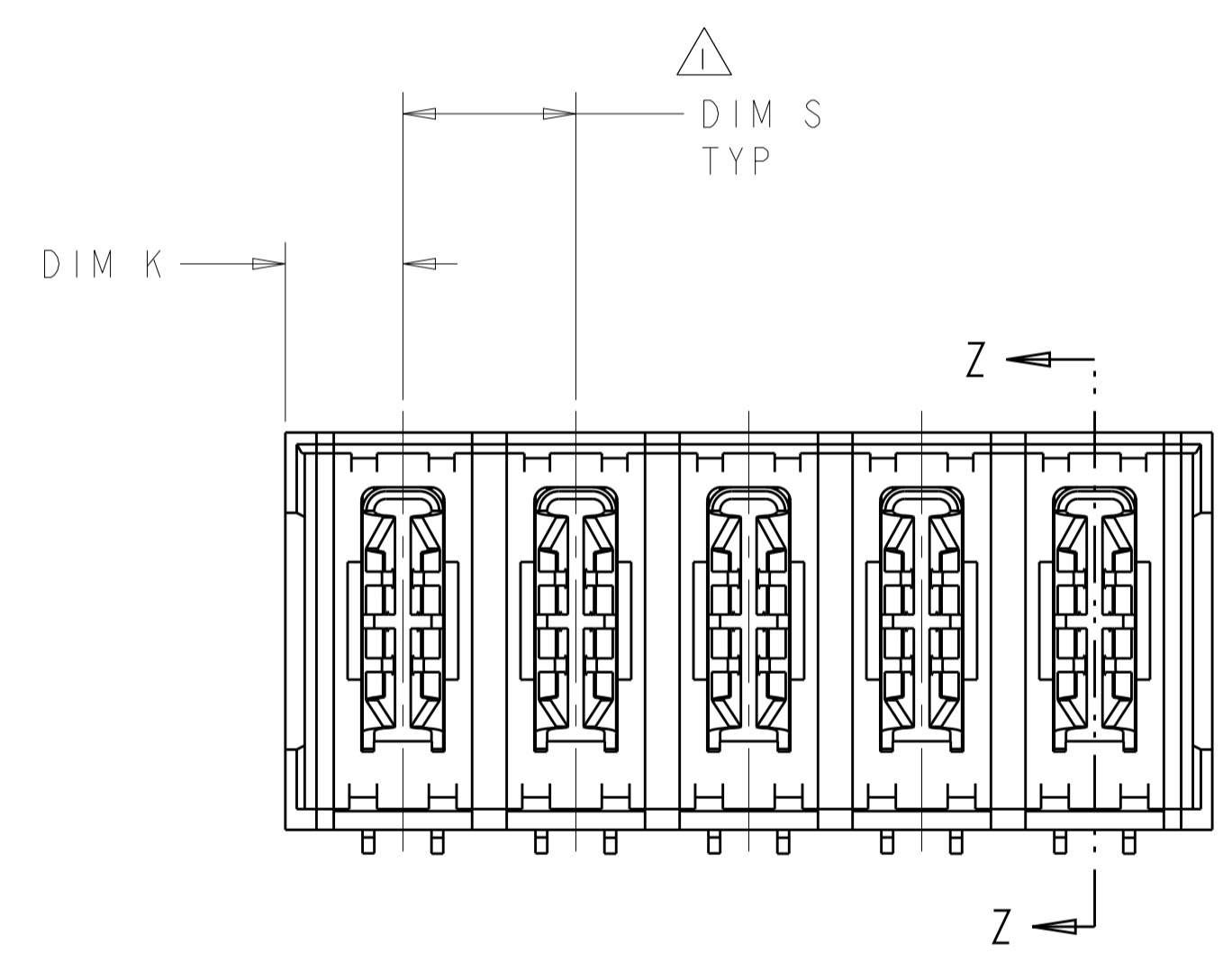


LOC	DIST	REVISIONS					
		P.	LTN	DESCRIPTION	DATE	DWN	APVD
ES	00	A1		REV PER ECR-06-015710	28JUN2006	DZ	SY
		A2		REV PER ECR-10-009085	06MAY2010	OL	SY



- 1 DIMENSION S IS CENTERLINE SPACING OF POWER MODULE
- 2 THE MAXIMUM OVERALL LENGTH (DIM L) OF A PART IS 8.00
- 3 "AMP" PART NUMBER AND DATE CODE TO BE MARKED IN AREA SHOWN. PARTS UNDER 2.00" LONG MAY BE MARKED ON BOTH SIDES.
- 4 MATERIAL: HOUSING - GLASS FILLED HIGH TEMP THERMO PLASTIC, UL94 V-0  
POWER CONTACT - HIGH CONDUCTIVITY COPPER ALLOY
- 5 CONTACT PLATING: NOBLE METAL PLATING ON CONTACT FUNCTIONAL AREA OF POWER AND SIGNAL CONTACTS
- 6 MECHANICAL CONNECTOR KEEP OUT ZONE.
- 7 DATUM AND BASIC DIMENSIONS ESTABLISHED BY CUSTOMER.
- 8 PCB - ALL HOLE DIAMETERS ARE FINISHED HOLE SIZES.
- 9 PCB - .0453±.0010 DRILLED HOLES WITH .0003 WITH S<sub>n</sub> OVER .001 TO .003 Cu PLATING TO ACHIEVE A .040±.003 DIA. HOLE.
- 10 VARIABLE DIMENSIONS SHOWN ON VIEW ( SHEET 2 ).



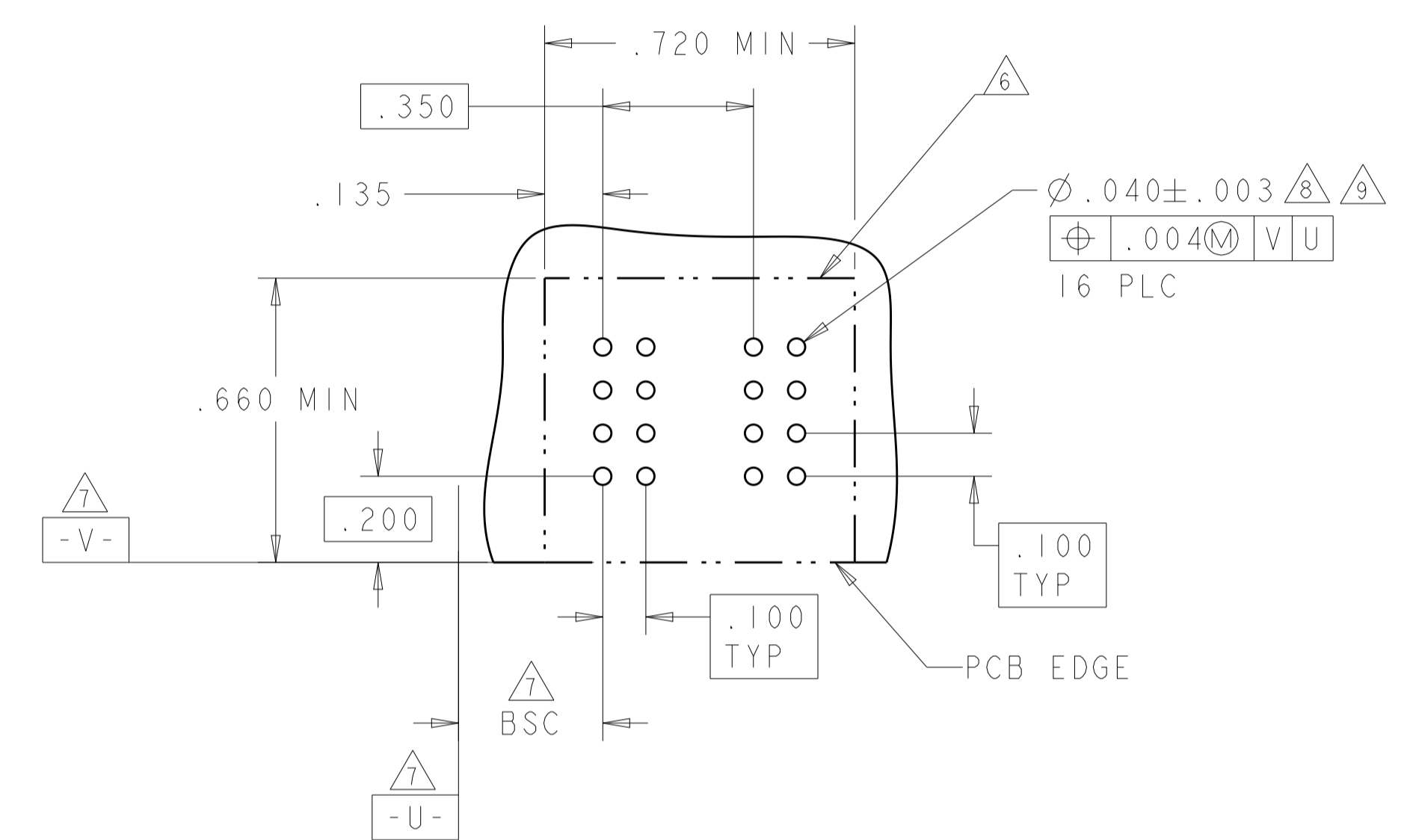
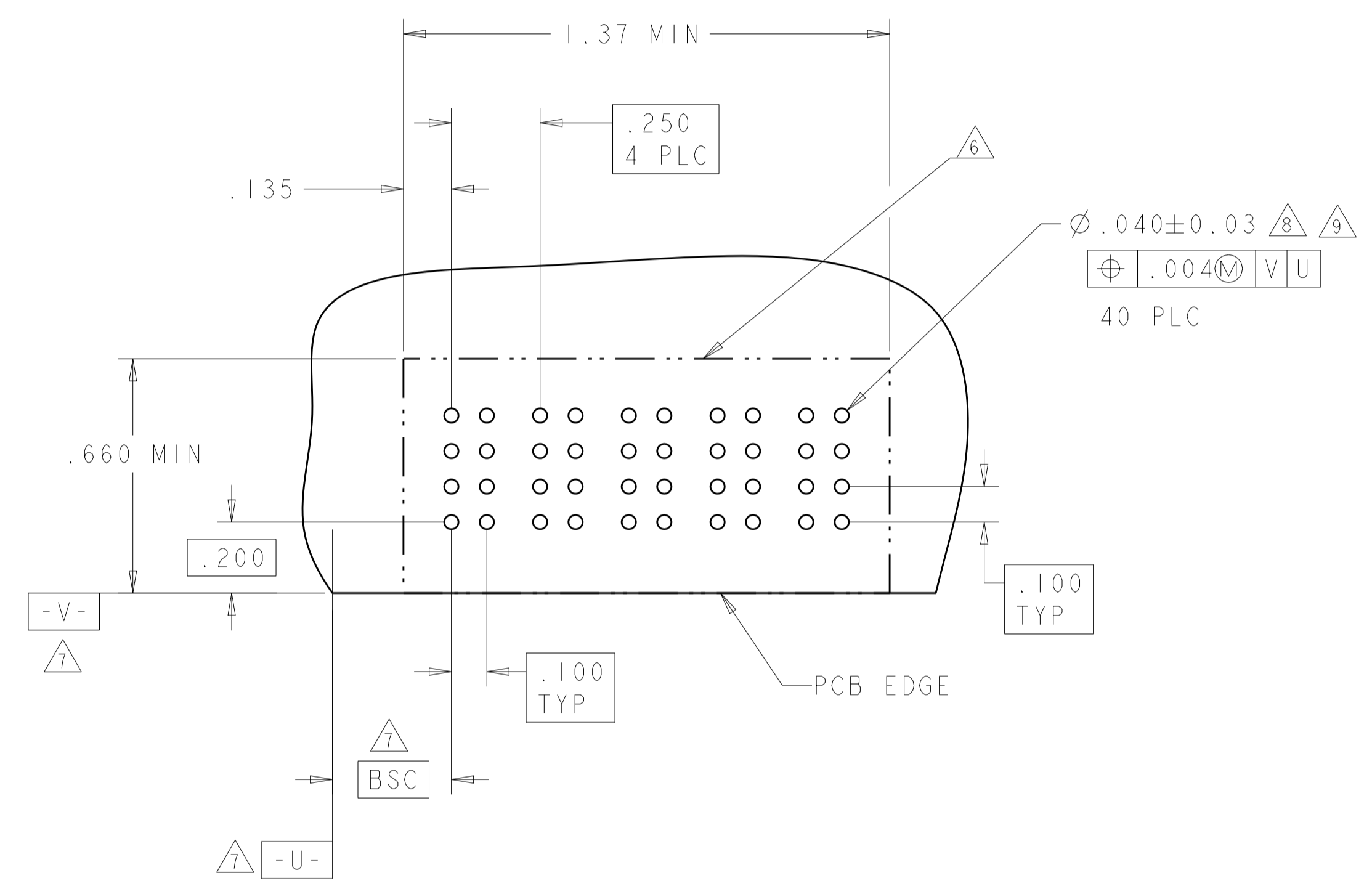
.200	1.340	.170	6HDP	6450527-5
.200	.940	.170	4HDP	6450527-4
△	1.290	.170	4ACP	6450527-3
.350	.690	.170	2ACP	6450527-2
.250	1.340	.170	5P	6450527-1
DIM S	DIM L	DIM K	DESCRIPTION	PART NUMBER

DIMENSIONS: INCHES TOLERANCES UNLESS OTHERWISE SPECIFIED: 0 PLC ±. 1 PLC ±.01 2 PLC ±.01 3 PLC ±.005 4 PLC ±.0020 ANGLES ±.020 FINISH		DIMENSIONS: INCHES TOLERANCES UNLESS OTHERWISE SPECIFIED: 0 PLC ±. 1 PLC ±.01 2 PLC ±.01 3 PLC ±.005 4 PLC ±.0020 ANGLES ±.020 FINISH		DWN S. ZHAO 11APR2006 CHK S. ZHAO 11APR2006 APVD S. YAO PRODUCT SPEC 108-1973 APPLICATION SPEC 114-13038 WEIGHT CUSTOMER DRAWING		Tyco Electronics Incorporated Shanghai, P.R. China. 200233 NAME RIGHT ANGLE HEADER ASSEMBLY WITHOUT GUIDES, PRESS FIT MULTI-BEAM XL SIZE CAGE CODE DRAWING NO. RESTRICTED TO A1 00779 ©=6450527 SCALE 4:1 SHEET 1 OF 3 REV A.3	
---	--	---	--	--	--	--	--

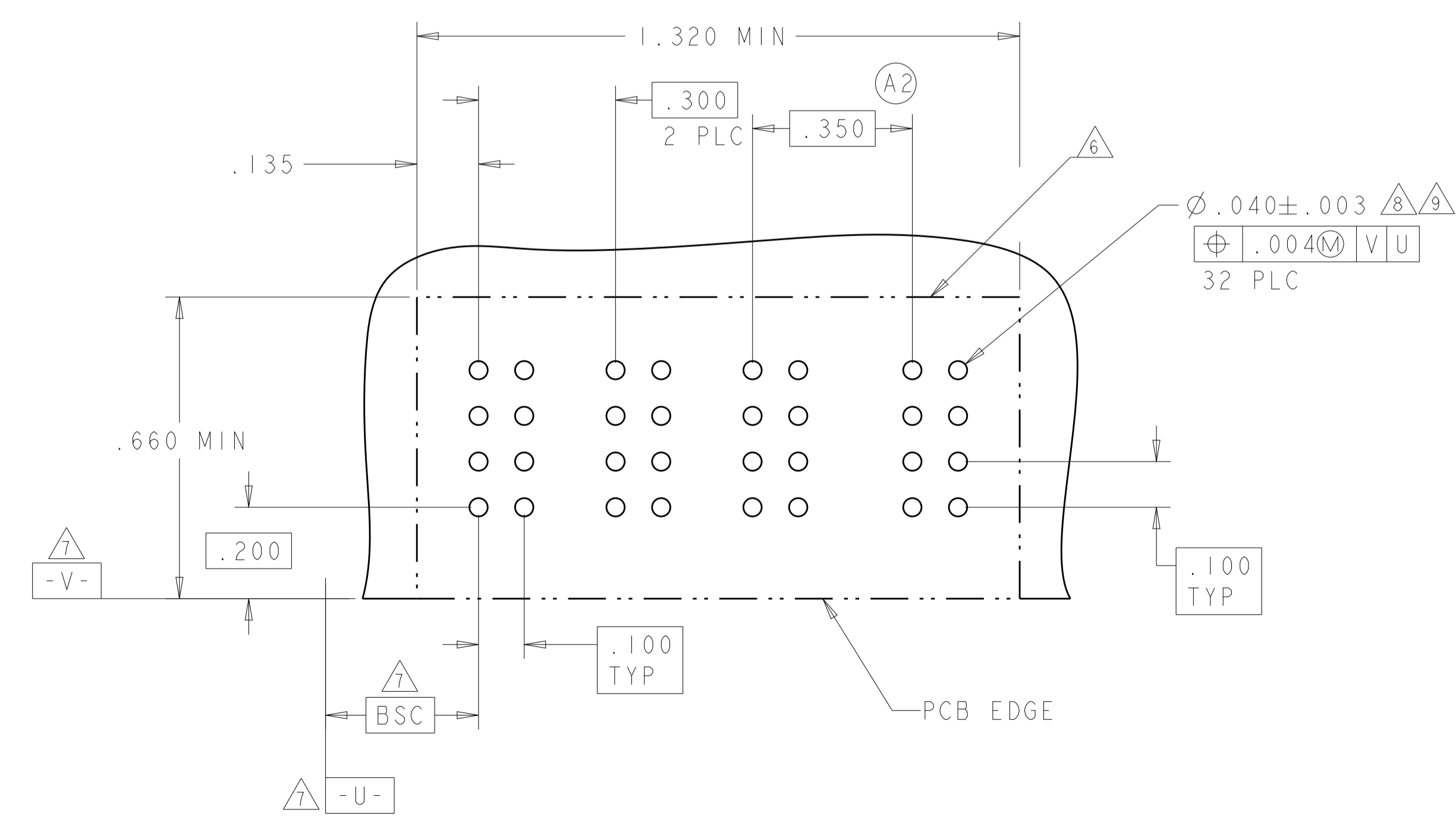
LOC	DIST	REVISIONS			
P	LTN	DESCRIPTION	DATE	DMN	APVD
ES	00	SEE SHEET 1	-	-	-

PART NUMBER	POWER				
	P1	P2	P3	P4	P5
6450527-1	PT	PT	PT	PT	PT
5P					

PART NUMBER	POWER	
	P1	P2
6450527-2	PT	PT
2ACP		



PART NUMBER	POWER			
	P1	P2	P3	P4
6450527-3	PT	PT	PT	PT
4ACP				



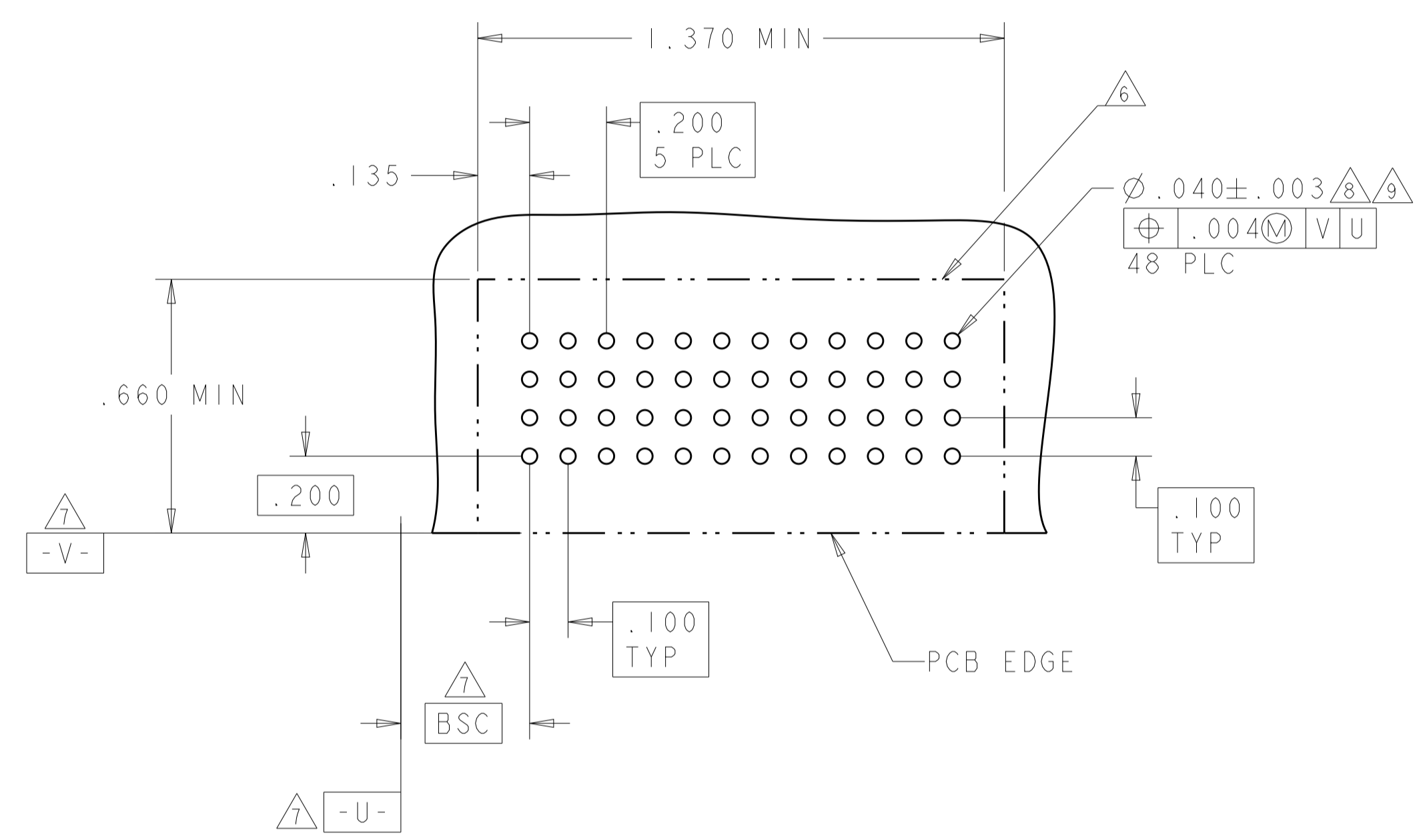
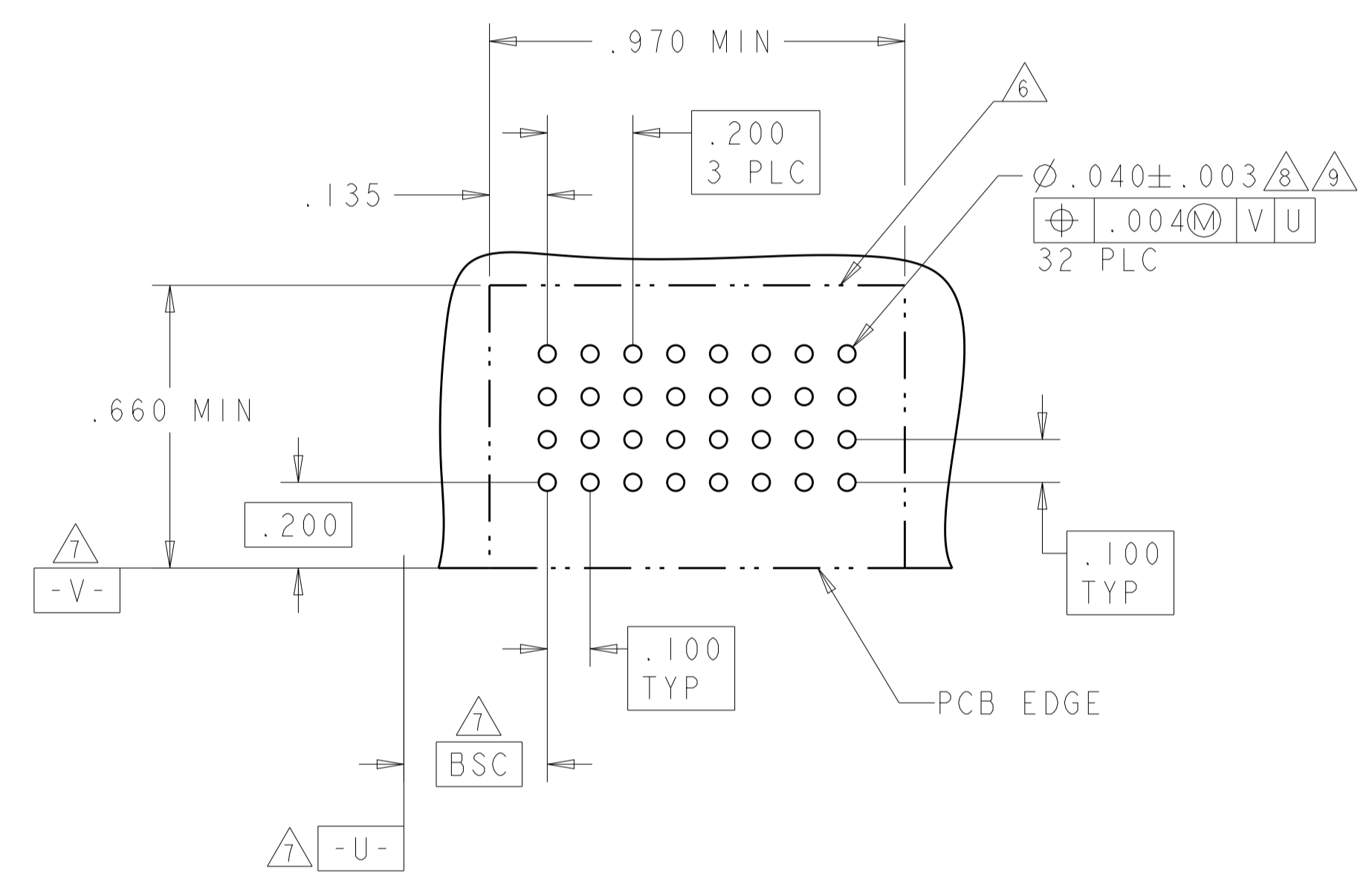
PT	POWER PRESSFIT
CODE	DESCRIPTION
	CONTACT TABLE

<small>THIS DRAWING IS UNPUBLISHED. RELEASED FOR PUBLICATION. IT IS THE PROPERTY OF TYCO ELECTRONICS CORPORATION. IT IS TO BE USED ONLY FOR THE PURPOSES AND IN THE QUANTITIES SPECIFIED IN THE ORDER. IT IS TO BE RETURNED TO TYCO ELECTRONICS CORPORATION UPON REQUEST.</small>		DMN: S. ZHAO 11APR2006 CHK: S. ZHAO 11APR2006 APVD: S. YAO	Tyco Electronics Incorporated Shanghai, P.R. China. 200233
DIMENSIONS: INCHES:	TOLERANCES UNLESS OTHERWISE SPECIFIED: 0 PLC ±. 1 PLC ±.01 2 PLC ±.01 3 PLC ±.005 4 PLC ±.002 ANGLES ±.2°	NAME: S. YAO PRODUCT SPEC: 108-1973 APPLICATION SPEC: 114-13038 WEIGHT:	tyco Electronics RIGHT ANGLE HEADER ASSEMBLY WITHOUT GUIDES, PRESS FIT MULTI-BEAM XL SIZE: A1 CAGE CODE: 00779 DRAWING NO: 6450527 RESTRICTED TO:
MATERIAL:	FINISH:	CUSTOMER DRAWING	SCALE: 4:1 SHEET 2 OF 3 REV: A3

LOC	DIST	REV	DATE	BY	APPD
ES	00				
REVISIONS			DESCRIPTION	DATE	DWN
			SEE SHEET 1		

PART NUMBER	POWER			
	P1	P2	P3	P4
6450527-4	PT	PT	PT	PT
4HDP				

PART NUMBER	POWER					
	P1	P2	P3	P4	P5	P6
6450527-5	PT	PT	PT	PT	PT	PT
6HDP						



<small>THIS DRAWING IS UNPUBLISHED. RELEASED FOR PUBLICATION. IT IS THE PROPERTY OF TYCO ELECTRONICS CORPORATION. IT IS SUBJECT TO CHANGE WITHOUT NOTICE AND WITHOUT OBLIGATION. SHOULD BE CONTACTED FOR THE LATEST REVISION.</small>		DWN: S. ZHAO 11APR2006 CHK: S. ZHAO 11APR2006 APVD: S. YAO	<b>tyco</b> Electronics Tyco Electronics Incorporated Shanghai, P.R. China. 200233
DIMENSIONS: INCHES 		TOLERANCES UNLESS OTHERWISE SPECIFIED: 0 PLC ±. 1 PLC ±.01 2 PLC ±.01 3 PLC ±.005 4 PLC ±.0020 ANGLES ±.7°	NAME: RIGHT ANGLE HEADER ASSEMBLY WITHOUT GUIDES, PRESS FIT MULTI-BEAM XL PRODUCT SPEC: 108-1973 APPLICATION SPEC: 114-13038 WEIGHT: - MATERIAL: - FINISH: -
MATERIAL: - FINISH: -		CUSTOMER DRAWING SCALE: 4:1 SHEET: 3 OF 3 REV: A.3	SIZE: A1 CAGE CODE: 00779 DRAWING NO: 6450527